

## SAFETY INSTRUCTIONS

Download the complete instruction manual <http://docs.whirlpool.eu> or call the phone number shown on the warranty booklet.

⚠ These instructions are valid if the country symbol appears on the appliance. If the symbol doesn't appear on the appliance, it is necessary to refer to the technical instructions which will provide the necessary instructions concerning modification of the appliance to the conditions of use of the country.

⚠ CAUTION: The use of the gas cooking appliance results in the production of heat, moisture and products of combustion in the room in which it is installed. Ensure that the kitchen is well ventilated especially when the appliance is in use: keep natural ventilation holes open or install a mechanical ventilation device (mechanical extractor hood). Prolonged intensive use of the appliance may call for additional ventilation, such as opening a window, or more effective ventilation, for example increasing the level of mechanical ventilation (if possible).

⚠ Failure to follow the information in this manual exactly may cause a fire or explosion, resulting in property damage or personal injury.

Before using the appliance, read these safety instructions. Keep them nearby for future reference.

These instructions and the appliance itself provide important safety warnings, to be observed at all times. The manufacturer declines any liability for failure to observe these safety instructions, for inappropriate use of the appliance or incorrect setting of controls.

⚠ WARNING: If the hob surface is cracked, don't use the appliance – risk of electrical shock.

⚠ WARNING: Danger of fire: Do not store items on the cooking surfaces.

⚠ CAUTION: The cooking process has to be supervised. A short cooking process has to be supervised continuously.

⚠ WARNING: Unattended cooking on a hob with fat or oil can be dangerous – risk of fire. NEVER try to extinguish a fire with water, but switch off the appliance and then cover flame e.g. with a lid or a fire blanket.

⚠ Do not use the hob as a work surface or support. Keep clothes or other flammable materials away from the appliance, until all the components have cooled down completely – risk of fire.

⚠ Very young children (0-3 years) should be kept away from the appliance. Young children (3-8 years) should be kept away from the appliance unless continuously supervised. Children from 8 years old and above and persons with reduced physical, sensory or mental capabilities or lack of experience and knowledge can use this appliance only if they are supervised or have been given instructions on safe use and understand the hazards involved. Children must not play with the appliance. Cleaning and user maintenance must not be carried out by children without supervision.

## IMPORTANT TO BE READ AND OBSERVED

⚠ CAUTION: In case of hotplate glass breakage: shut immediately off all burners and any electrical heating element and isolate the appliance from the power supply; do not touch the appliance surface; do not use the appliance.

The glass lid can break in if it is heated up. Turn off all the burners and the electric plates before closing the lid. Do not shout down lid when burner alight.

⚠ WARNING: The appliance and its accessible parts become hot during use. Care should be taken to avoid touching heating elements. Children less than 8 years of age must be kept away unless continuously supervised.

### PERMITTED USE

⚠ CAUTION: the appliance is not intended to be operated by means of an external switching device, such as a timer, or separate remote controlled system.

⚠ This appliance is intended to be used in household and similar applications such as: staff kitchen areas in shops, offices and other working environments; farm houses; by clients in hotels, motels, bed & breakfast and other residential environments.

⚠ No other use is permitted (e.g. heating rooms).

⚠ This appliance is not for professional use. Do not use the appliance outdoors.

⚠ Use pots and pans with bottoms the same width as that of the burners or slightly larger (see specific table). Make sure pots on the grates do not protrude beyond the edge of the hob.

⚠ Improper use of the grids can result in damage to the hob: do not position the grids upside down or slide them across the hob.

Do not let the burner flame extend beyond the edge of the pan.

If the hob surface is in glass material, do not use the cast iron griddles, ollar stones, terracotta pots and pans.

Do not use: heat diffusers such as metal mesh, or any other types; two burners simultaneously for one receptacle (e.g. Fish kettle).

Should particular local conditions of the delivered gas make the ignition of burner difficult, it is advisable to repeat the operation with the knob turned to small flame setting.

In case of installation of a hood above the cooktop, please refer to the hood instructions for the correct distance.

The protective rubber feet on the grids represent a choking hazard for young children. After removing the grids, please ensure that all the feet are correctly fitted.

### INSTALLATION

⚠ The appliance must be handled and installed by two or more persons - risk of injury. Use protective gloves to unpack and install - risk of cuts.

⚠ The electrical and gas connections must comply with local regulation.

⚠ Installation, including water supply (if any) and electrical connections, and repairs must be carried out by a qualified technician. Do not repair or replace any part of the appliance unless specifically stated in the user manual. Keep children away from the installation site. After unpacking the appliance, make sure that it has not been damaged during transport. In the event of problems, contact the dealer or your nearest After-sales Service. Once installed, packaging waste (plastic,

styrofoam parts etc.) must be stored out of reach of children - risk of suffocation. The appliance must be disconnected from the power supply before any installation operation - risk of electrical shock. During installation, make sure the appliance does not damage the power cable - risk of fire or electrical shock. Only activate the appliance when the installation has been completed.

⚠ **WARNING:** Modification of the appliance and its method of installation are essential in order to use the appliance safely and correctly in all the additional countries.

⚠ Use pressure regulators suitable for the gas pressure indicated in the instruction.

⚠ The room must be equipped with an air extraction system that expels any combustion fumes.

⚠ The room must also allow proper air circulation, as air is needed for combustion to occur normally. The flow of air must not be less than 2 m<sup>3</sup>/h per kW of installed power.

⚠ The air circulation system may take air directly from the outside by means of a pipe with an inner cross section of at least 100 cm<sup>2</sup>; the opening must not be vulnerable to any type of blockages.

⚠ The system can also provide the air needed for combustion indirectly, i.e. from adjacent rooms fitted with air circulation tubes as described above. However, these rooms must not be communal rooms, bedrooms or rooms that may present a fire hazard.

⚠ Liquid petroleum gas sinks to the floor as it is heavier than air. Therefore, rooms containing LPG cylinders must also be equipped with vents to allow gas to escape in the event of a leak. As a result LPG cylinders, whether partially or completely full, must not be installed or stored in rooms or storage areas that are below ground level (cellars, etc.). It is advisable to keep only the cylinder being used in the room, positioned so that it is not subject to heat produced by external sources (ovens, fireplaces, stoves, etc.) which could raise the temperature of the cylinder above 50°C.

Should you experience difficulty in turning the burner knobs, please contact After Sales Service for replacement of the burner tap if found to be faulty. The openings used for the ventilation and dispersion of heat must never be covered.

⚠ Carry out all cabinet cutting works before fitting the appliance in the furniture and remove all wood chips and sawdust.

⚠ If the appliance is not installed above an oven, a separator panel (not included) must be installed in the compartment under the appliance.

### **GAS CONNECTION**

⚠ **WARNING:** Prior to installation, ensure that the local distribution conditions (type of gas and gas pressure) and the adjustment of the appliance are compatible.

⚠ Check that the pressure of the gas supply is consistent with the values indicated in "Burner and nozzle specifications" table.

⚠ **WARNING:** The configuration conditions for this appliance are stated on the label (or data plate).

⚠ **WARNING:** This appliance is not connected to a combustion products evacuation device. It must be installed and connected in accordance with current installation regulations. Particular attention must be paid to the relevant requirements regarding ventilation.

⚠ If the appliances is connected to liquid gas, the regulation screw must be fastened as tightly as possible.

⚠ **IMPORTANT:** When the gas cylinder or gas container is installed, it must be properly settled (vertical orientation).

⚠ **WARNING:** This operation must be performed by a qualified technician.

⚠ Use only flexible or rigid metal hose for gas connection.

⚠ Connection with a rigid pipe (copper or steel) Connection to the gas system must be carried out in such a way as not to place any strain of any kind on the appliance. There is an adjustable L-shaped pipe fitting on the appliance supply ramp and this is fitted with a seal in order to prevent leaks. The seal must always be replaced after rotating the pipe fitting (the seal is provided with the appliance). The gas supply pipe fitting is a threaded 1/2 gas cylindrical male attachment.

⚠ Connecting a flexible jointless stainless steel pipe to a threaded attachment. The gas supply pipe fitting is a threaded 1/2 gas cylindrical male attachment. These pipes must be installed so that they are never longer than 2000 mm when fully extended. Once connection has been carried out, make sure that the flexible metal pipe does not touch any moving parts and is not compressed. Only use pipes and seals that comply with current National regulations.

⚠ **IMPORTANT:** If a stainless steel hose is used, it must be installed so as not to touch any mobile part of the furniture (e.g. drawer). It must pass through an area where there are no obstructions and where it is possible to inspect it on all its length.

⚠ The appliance should be connected to the main gas supply or to gas cylinder in compliance with the current national regulations. Before making the connection, make sure that the appliance is compatible with the gas supply you wish to use. If this is not the case, follow the instructions indicated in the paragraph "Adapting to different types of gas".

⚠ After connection to the gas supply, check for leaks with soapy water. Light up the burners and turn the knobs from max position 1\* to minimum position 2\* to check flame stability.


### **ADAPTING TO DIFFERENT TYPES OF GAS**


(This operation needs to be carried out by a qualified technician).


⚠ In order to adapt the appliance to a type of gas other than the type for which it was manufactured (indicated on the rating label), follow the dedicated steps provided after installation drawings.


---


## ELECTRICAL WARNINGS

 **IMPORTANT:** Information about current and voltage consumption is provided on the rating plate.


 It must be possible to disconnect the appliance from the power supply by unplugging it if plug is accessible, or by a multi-pole switch installed upstream of the socket in accordance with the wiring rules and the appliance must be earthed in conformity with national electrical safety standards.


 The power cable must be long enough to connect the appliance, once fitted in its housing, to the main power supply. Do not pull the power supply cable.


 Do not use extension leads, multiple sockets or adapters. The electrical components must not be accessible to the user after installation. Do not use the appliance when you are wet or barefoot. Do not operate this appliance if it has a damaged power cable or plug, if it is not working properly, or if it has been damaged or dropped.

 If the supply cord is damaged, it must be replaced with an identical one by the manufacturer, its service agent or similarly qualified persons in order to avoid a hazard - risk of electrical shock.


## CLEANING AND MAINTENANCE

 **WARNING:** Ensure that the appliance is switched off and disconnected from the power supply before performing any maintenance operation; never use steam cleaning equipment - risk of electric shock.

 Do not use abrasive or corrosive products, chlorine-based cleaners or pan scourers.

 To avoid damaging the electric ignition device, do not use it when the burners are not in their housing.

## DISPOSAL OF PACKAGING MATERIALS


The packaging material is 100% recyclable and is marked with the recycle symbol .

The various parts of the packaging must therefore be disposed of responsibly and in full compliance with local authority regulations governing waste disposal.

## DISPOSAL OF HOUSEHOLD APPLIANCES

This appliance is manufactured with recyclable or reusable materials. Dispose of it in accordance with local waste disposal regulations. For further information on the treatment, recovery and recycling of household electrical appliances, contact your local authority, the collection service for household waste or the store where you purchased the appliance. This appliance is marked in compliance with European Directive 2012/19/EU, Waste Electrical and Electronic Equipment (WEEE) and with the Waste Electrical and Electronic Equipment regulations 2013 (as amended).

By ensuring this product is disposed of correctly, you will help prevent negative consequences for the environment and human health.

The symbol  on the product or on the accompanying documentation indicates that it should not be treated as domestic waste but must be taken to an appropriate collection center for the recycling of electrical and electronic equipment.

## ENERGY SAVING TIPS

Use pots and pans with bottom width equal to that of the cooking zone.

Only use flat-bottomed pots and pans.

When possible, keep pot lids on during cooking.

Use a pressure cooker to save even more energy and time.

## DECLARATION OF CONFORMITY

This appliance meets Ecodesign requirements of European Regulation 66/2014 and The Ecodesign for Energy-Related Products and Energy Information (Amendment) (EU Exit) Regulations 2019 in compliance with the European standard EN 30-2-1.

---

**BURNER AND NOZZLE SPECIFICATIONS**
**CATEGORY II2H3+**

| Type of gas used                                   | Type of burner  | Injector marking | Rated thermal flow rate<br>kW | Rated consumption | Reduced heat capacity<br>kW | Gas pressure<br>mbar |       |      |
|--|-----------------|------------------|-------------------------------|-------------------|-----------------------------|----------------------|-------|------|
|  |                 |                  |                               |                   |                             | min.                 | rat.  | max. |
| NATURAL GAS<br>(Methane) <b>G20</b>                | Semi-rapid (SR) | 97 A             | 1,65                          | 157 l/h           | 0,40                        | 17                   | 20    | 25   |
|  | Auxiliary (AUX) | 78 A             | 1,00                          | 95 l/h            | 0,40                        |                      |       |      |
|  | 2 Ring (DC)     | 140 H1           | 3,50                          | 333 l/h           | 2,20                        |                      |       |      |
| LIQUEFIED<br>PETROLEUM GAS<br>(Butane) <b>G30</b>  | Semi-rapid (SR) | 66 A             | 1,65                          | 120 g/h           | 0,40                        | 20                   | 28-30 | 35   |
|  | Auxiliary (AUX) | 50               | 1,00                          | 73 g/h            | 0,40                        |                      |       |      |
|  | 2 Ring (DC)     | 91               | 3,30                          | 240 g/h           | 2,20                        |                      |       |      |
| LIQUEFIED<br>PETROLEUM GAS<br>(Propane) <b>G31</b> | Semi-rapid (SR) | 66 A             | 1,65                          | 118 g/h           | 0,40                        | 25                   | 37    | 45   |
|  | Auxiliary (AUX) | 50               | 1,00                          | 71 g/h            | 0,40                        |                      |       |      |
|  | 2 Ring (DC)     | 91               | 3,30                          | 236 g/h           | 2,20                        |                      |       |      |

| Type of gas used      | Model configuration<br>4 BURNERS | Rated thermal flowrate<br>(kW) | Total rated consumption | Air required (m <sup>3</sup> ) for burning<br>1m <sup>3</sup> of gas |
|-----------------------|----------------------------------|--------------------------------|-------------------------|--|
| <b>G20</b> 20 mbar    | 2SR - 1AUX - 1DC                 | 7,80                           | 743 l/h                 | 9,52   |
| <b>G30</b> 28-30 mbar | 2SR - 1AUX - 1DC                 | 7,60                           | 553 g/h                 | 30,94  |
| <b>G31</b> 37 mbar    | 2SR - 1AUX - 1DC                 | 7,60                           | 543 g/h                 | 23,80  |

**ELECTRIC SUPPLY: 220-240 V ~ 50-60 Hz - 1,1W**

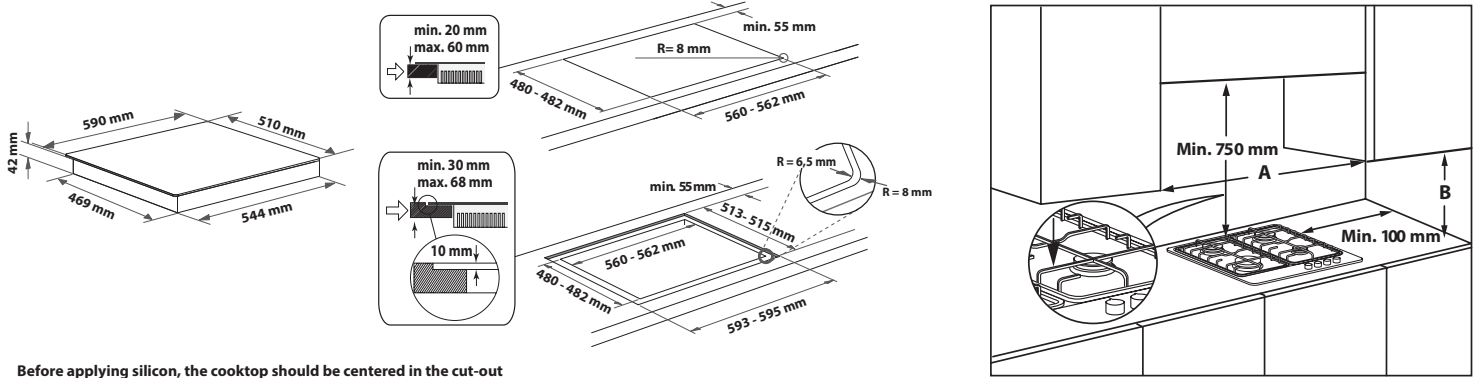



# INSTALLATION (CLASS 3)

## TECHNICAL INFORMATION FOR THE INSTALLER

- Use protective gloves for handling, preparing, and installing the product.
- This product can be embedded in a worktop 20 ÷ 60 mm thick with standard installation. For flush installation 30 ÷ 68.
- If there is no oven beneath the hob, insert a separator panel with a surface at least equal to the work surface's opening. This panel must be positioned at a maximum distance of 150 mm below the upper surface of the work surface but, in no case less than 20 mm from the bottom of the hob. In case you intend to install an oven beneath the hob, make sure that it is equipped with a cooling system.

## DIMENSIONS AND DISTANCES TO BE MAINTAINED



Before applying silicon, the cooktop should be centered in the cut-out

**NOTE: If distance "A" between the kitchen cabinets is between 600 mm and 730 mm, height "B" must be at least 530 mm. If distance "A" between the kitchen cabinets is greater than the width of the hob, height "B" must be at least 400 mm. If a hood is installed above the hob, refer to the assembly instructions for the hood to see the necessary distance.**

## ASSEMBLY

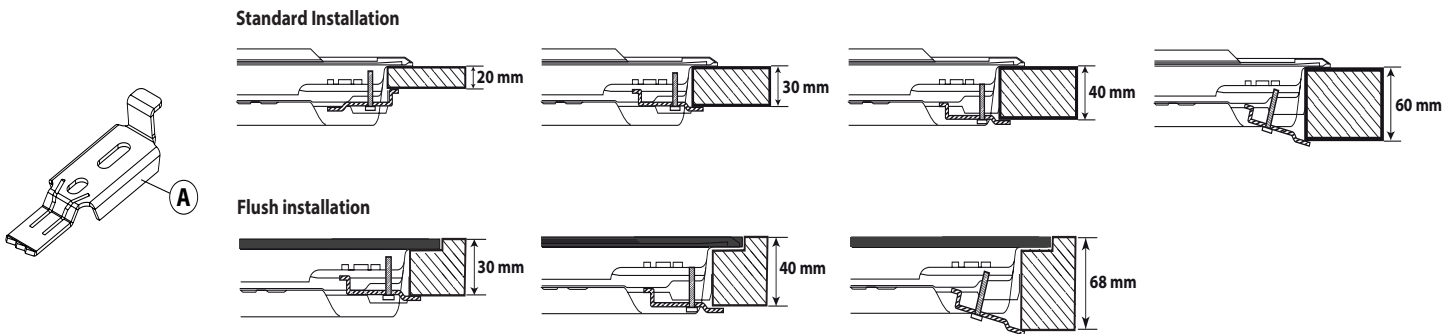
After cleaning the perimeter surface, apply the supplied gasket to the hob as shown in the figure.

Position the hob in the worktop opening made respecting the dimensions indicated in the Instruction.



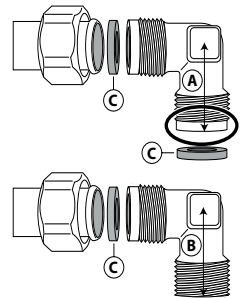
**NOTE: the power supply cable must be long enough to permit its upward extraction.**

To secure the hob, use the brackets (A) provided with it. Fit the brackets into the relevant bores shown by the arrow and fasten them by means of their screws in accordance with the thickness of the worktop (see the following figures).

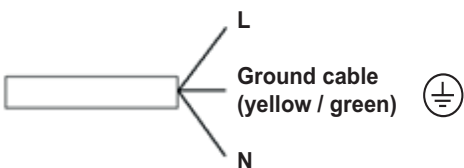


## GAS CONNECTION

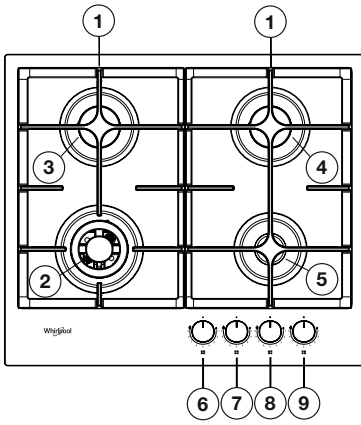
- Connect elbow (A)\* or (B)\* supplied with to the hob inlet main pipe and interpose the washer (C) supplied, in compliance with EN 549.
- \* Use elbow (A) for France and elbow (B) for all other destinations.
- After connection to the gas supply, check for leaks with soapy water. Light up the burners and turn the knobs from max position 🔥 to minimum position 🔧 to check flame stability.



## ELECTRICAL CONNECTION



# PRODUCT DESCRIPTION



1. Removable panstand grids
2. 2 Ring burner
3. Semi-rapid burner
4. Semi-rapid burner
5. Auxiliary burner
6. 2 Ring burner control knob
7. Semi-rapid burner control knob
8. Semi-rapid burner control knob
9. Auxiliary burner control knob

## Symbols

- Shaded circle ● Tap closed
- Large flame 🔥 Maximum opening/delivery and electric ignition
- Small flame 🔥 Minimum opening or reduced delivery



# DAILY USE

## HOW TO USE THE HOB

⚠ Do not let the burner flame extend beyond the edge of the pan.

**IMPORTANT: when the hob is in use, the entire hob area may become hot.**

- To ignite one of the burners, turn the relative knob anti-clockwise to the maximum flame setting.
- Press the knob against the control panel to ignite the burner.
- After the burner has ignited, keep the knob pressed for about 5-10 seconds to allow proper device operation.
- This burner safety device shuts off the gas supply to the burner if the flame goes out accidentally (because of sudden draught, an interruption in the gas delivery, boiling over liquids, etc.).
- **The knob must not be pressed for more than 15 sec. If, after that time has elapsed, the burner does not remain lit, wait at least one minute before trying to light it again.**

**NOTE: should particular local conditions of the delivered gas make the ignition of burner difficult, it is advisable to repeat the operation with the knob turned to the small flame setting.**

**The burner might go out when the knob is released.** This means that the safety device has not warmed up enough. In this case, repeat the operations described above.

If the burner flame is accidentally extinguished, switch off the burner control and do not try to ignite for at least 1 minute.

## PRACTICAL ADVICE FOR USING THE BURNERS

This hob has burners of different diameters. For better burner performance, please stick to the following rules:

- use pots and pans with bottoms the same width as that of the burners or slightly larger (see table on the right);
- only use flat-bottomed pots and pans;
- use the correct amount of water for cooking foods and keep the pot covered;
- make sure pots on the grates do not protrude beyond the edge of the hob;
- In the case of pans with convex bottoms (WOK), use the support grille (not provided), which should be positioned only on the multi-ring burner;
- avoid accidentally knocking the hob with pans, racks or other kitchen utensils;
- do not leave empty steak grills over the lit burner for longer than 5 minutes.

**IMPORTANT: improper use of the grids can damage the hob: do not position the grids upside down or slide them across the hob.**

| BURNER     | POT Ø            |
|------------|------------------|
| 2 Ring     | From 24 to 26 cm |
| Semi-rapid | From 16 to 22 cm |
| Auxiliary  | From 8 to 14 cm  |

Do not use:

- cast iron griddles, ollar stones, terracotta pots and pans;
- heat diffusers such as metal mesh, or any other types;
- two burners simultaneously for one receptacle (e.g. fish kettle).

Liquids spilled on hot hob area can cause glass damage.

## ADAPTING TO DIFFERENT TYPES OF GAS

⚠ This operation must be performed by a qualified technician.

If the appliance is intended to operate with a different gas from the gas type stated on the rating plate and information label on the top of the hob, change the injectors.

Remove the information label and keep it with the instructions booklet.

**Use pressure regulators suitable for the gas pressure indicated in the Instruction:**

- the gas injector must be changed by After Sales Service or a qualified technician;
- injector not supplied with the appliance must be ordered from After Sales Service;
- adjust the minimum setting of the taps.

**NOTE: when liquid petroleum gas is used (G30/G31), the minimum gas setting screw must be tightened as far as it will go.**

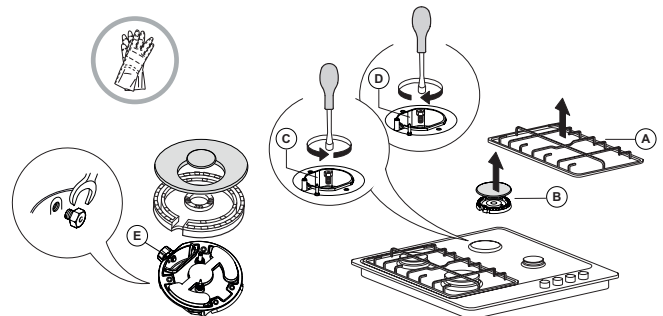
**IMPORTANT: should you experience difficulty in turning the burners knobs, please contact the After Sales Service for the replacement of the burner tap if found to be faulty.**

**IMPORTANT: when gas cylinder is adopted, the gas cylinder or gas container must be properly settled (vertical orientation).**

## REPLACING THE INJECTORS (see the injector table in the Safety instructions)

⚠ This operation must be performed by a qualified technician.


- Remove grids (A).
- Extract burners (B).
- Using a socket spanner of the appropriate size unscrew the injector (C), to be replaced.
- Replace it with the injector suitable for the new type of gas.
- Re-assemble the injector in (D).
- If you have a multiple crown burner, use a side spanner to replace the injector (E).



Before installing the hob, remember to affix the gas calibration plate supplied with the injectors in such a way that it covers the existing information relating to gas calibration.

## ADJUSTING MINIMUM GAS SETTING OF TAPS



**⚠** This operation must be performed by a qualified technician.

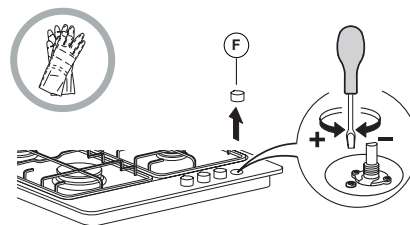
The adjustment must be performed with the tap in a minimum gas setting position  (small flame).

The primary air of the burners does not need to be adjusted.

To ensure that the minimum setting is correctly adjusted, remove the knob (F) and proceed as follows:

- tighten the screw to reduce the flame height (-);
- loosen the screw to increase the flame height (+).

At this stage, light up the burners and turn the knobs from max. position  to minimum position  to check flame stability.



Upon completion of adjustment, reseal using sealing wax or an equivalent material.

## MULTILEVEL FLAME

| LEVEL | COOKING METHOD/TYPE (SUGGESTED FOR) | COOKING TIPS  |
|-------|-------------------------------------|---|
| 1-2   | KEEPWARM                            | Ideal for softening butter, gently melting chocolate in bagnemarie, thawing small portions, creaming risotto.   |
|       | GENTILE COOK                        |   |
| 3-4   | SIMMERING                           | Ideal for slow-cook recipes (rice, sauces, roast, fish) using liquids (water, wine, broth), and for creaming pasta, maintaining a gentle boiling.           |
|       | STEWING                             |   |
| 5-6   | ROASTING                            | Ideal for sauteing, stewing vegetables, cooking for longer period, preheating accessories, cooking until creamy.  |
|       | FRYING                              |   |
| 7-8   | STIR FRYING                         | Ideal for browning, starting to cook, bringing liquids to the boil quickly, frying deep-frozen products, grilling meat and fish, maintaining a lively boil. |
|       | GRILLING                            |   |
| 9     | FAST HEATING                        | Ideal for rapidly increasing the temperature of food or for heating up liquids (water).   |

## MAINTENANCE AND CLEANING

**⚠** Disconnect the appliance from the power supply.

### CLEANING THE HOB SURFACE

- All the enamelled and glass parts should be cleaned with warm water and a neutral solution.
- Stainless steel surfaces may be stained by calcareous water or aggressive detergents if left in contact for too long. Any food spills (water, sauce, coffee, etc.) should be wiped away before they dry.
- Clean with warm water and neutral detergent, and then dry with a soft cloth or chamois. Remove baked-on dirt with specific cleaners for stainless steel surfaces.

**NOTE: clean stainless steel only with soft cloth or sponge.**

- Do not use abrasive or corrosive products, chlorine-based cleaners or pan scourers.
- Do not use steam cleaning appliances.
- Do not use flammable products.
- Do not leave acid or alkaline substances, such as vinegar, mustard, salt, sugar or lemon juice on the hob.

### CLEANING THE HOB PARTS

- Clean glass and enamelled parts only with soft cloth or sponge.
- Grids, burner caps and burners can be removed to be cleaned.
- Clean them by hand with warm water and non-abrasive detergent, removing any food residues and checking that none of the burner openings is clogged.
- Rinse and dry.
- **The cast-iron grates may be cleaned in the dishwasher. Remove any burnt-on food before placing the grates in the lowest rack in the dishwasher.**
- Refit burners and burner caps correctly in the respective housings.
- When replacing the grids, make sure that the panstand area is aligned with the burner.
- Models equipped with electrical ignition plugs and safety device require thorough cleaning of the plug end in order to ensure correct operation. Check these items frequently, and if necessary, clean them with a damp cloth. Any baked-on food should be removed with a toothpick or needle.

**NOTE: to avoid damaging the electric ignition device, do not use it when the burners are not in their housing.**

## TROUBLESHOOTING

If the hob does not operate correctly, before calling the After-Sales Service, refer to the Troubleshooting Guide to determine the problem

### 1. The burner fails to ignite, or the flame is not even

Check that:

- the gas or electrical supplies are not shut off and especially that the gas supply tap is open;
- the gas cylinder (liquid gas) is not empty;
- the burner openings are not clogged;
- the plug end is not dirty;
- all the burner parts have been positioned correctly;
- there are no draughts near the hob.

### 2. The burner does not stay lit

Check that:

- when lighting the burner, the knob has been pressed for enough time to activate the protection device;
- the burner openings are not clogged near the thermocouple;
- the end of the safety device is not dirty;
- the minimum gas setting is correct (see relevant paragraph).

### 3. The containers are not stable

Check that:

- the bottom of the container is perfectly flat;
- the container is centred on the burner;
- the grids have not been exchanged or positioned incorrectly.

If after the above checks the fault still occurs, get in touch with the nearest After Sales Service.

## AFTER-SALES SERVICE

In order to receive complete assistance, please register your product on [www.whirlpool.eu/register](http://www.whirlpool.eu/register).

### BEFORE CALLING THE AFTER-SALES SERVICE:

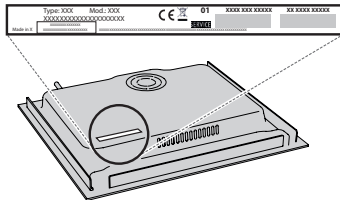
1. See if you can solve the problem by yourself with the help of the **TROUBLESHOOTING** suggestions.
2. Switch the appliance off and back on again to see if the fault persists.

### IF AFTER THE ABOVE CHECKS THE FAULT STILL OCCURS, GET IN TOUCH WITH THE NEAREST AFTER-SALES SERVICE.

To receive assistance, call the number shown on the warranty booklet or follow the website's instructions on [www.whirlpool.eu](http://www.whirlpool.eu).

When contacting our Client After-sales service, always specify:

- a brief description of the fault;
- the type and exact model of the appliance;



- the serial number (number after the word SN on the rating plate located under the appliance). The serial number is also indicated in the documentation;



Mod. XXX XXX

Ind.C. XXXX XXXX XXXX

Prod.N. 86999XXXXXXX S.N. XXXX XXXX XXXX

- your full address;
- your telephone number.

If any repairs are required, please contact an authorized after-sales service (to guarantee that original spare parts will be used and repairs carried out correctly).



## WSKAZÓWKI DOTYCZĄCE BEZPIECZENSTWA

## PRZECZYTAĆ I ŚCIŚLE PRZESTRZEGAĆ

Pobierz pełną instrukcję obsługi ze strony <http://docs.whirlpool.eu> lub zadzwoń na lokalny number telefonu podany w książeczce gwarancyjnej.

⚠ Niniejsze instrukcje obowiązują wyłącznie, jeśli na urządzeniu występuje oznaczenie danego kraju. Jeśli na urządzeniu brak tego oznaczenia, należy odnieść się do instrukcji technicznych, w których znajdują się niezbędne wskazówki w zakresie dostosowania urządzenia do warunków użytkowania w danym kraju.

⚠ **UWAGA:** Użytkowanie urządzenia do gotowania na gazie wiąże się z wytwarzaniem w pomieszczeniu, w którym jest ono zainstalowane, ciepła, wilgoci i pozostałych produktów spalania. Należy dopilnować, aby kuchnia była dobrze wentylowana, szczególnie w czasie użytkowania urządzenia: zadbać o drożność naturalnych otworów wentylacyjnych lub zamontować urządzenie do wentylacji mechanicznej (mechaniczny wyciąg kuchenny). Przedłużające się intensywne użytkowanie urządzenia może wymagać dodatkowej wentylacji, np. otwarcia okna, lub bardziej efektywnej wentylacji, np. zwiększenia poziomu wentylacji mechanicznej (jeśli to możliwe).

⚠ Nieprzestrzeganie dokładnie informacji zawartych w tej instrukcji może spowodować pożar lub wybuch, co może skutkować uszkodzeniem mienia lub obrażeniami ciała. Przed przystąpieniem do użytkowania urządzenia należy zapoznać się instrukcjami bezpieczeństwa. Przechowywać w podręcznym miejscu w celu korzystania z nich w przyszłości.

W instrukcji oraz na samym urządzeniu znajdują się ważne ostrzeżenia dotyczące bezpieczeństwa, których należy zawsze przestrzegać. Producent urządzenia nie ponosi odpowiedzialności za jakiegokolwiek szkody wynikłe z nieprzestrzegania niniejszej instrukcji bezpieczeństwa, nieprawidłowego użytkowania urządzenia lub niewłaściwego ustawienia elementów sterujących.

⚠ **OSTRZEŻENIE:** Jeśli powierzchnia płyty jest pęknięta, nie wolno używać urządzenia – ryzyko porażenia prądem.

⚠ **OSTRZEŻENIE:** Zagrożenie pożarem: na powierzchniach grzejnych nie należy przechowywać żadnych przedmiotów.

⚠ **OSTROŻNIE:** Proces gotowania musi być nadzorowany. Proces krótkiego gotowania musi być nadzorowany przez cały czas.

⚠ **OSTRZEŻENIE:** Pozostawienie urządzenia bez nadzoru podczas przyrządzania potraw z użyciem oleju i tłuszczu może spowodować zagrożenie i prowadzić do powstania pożaru. Pożaru NIGDY nie wolno gasić wodą! Należy wyłączyć urządzenie i przykryć ogień np. pokrywką lub kocem gaśniczym.

⚠ Nie używać płyty kuchennej jako powierzchni roboczej. Ścierki kuchenne i inne łatwopalne materiały powinny być przechowywane z dala od urządzenia, dopóki wszystkie jego podzespoły całkowicie nie ostygną – ryzyko pożaru.

⚠ Młodsze dzieci (0-3 lat) nie powinny przebywać w pobliżu urządzenia. Dzieci (3-8 lat) nie powinny przebywać w pobliżu urządzenia bez stałego nadzoru. Dzieci w wieku 8 lat i starsze, osoby o ograniczonej sprawności fizycznej, sensorycznej lub umysłowej oraz osoby bez odpowiedniego doświadczenia i wiedzy, mogą korzystać z urządzenia wyłącznie pod nadzorem lub po otrzymaniu odpowiednich instrukcji dotyczących bezpiecznego użytkowania urządzenia oraz pod warunkiem, że rozumieją zagrożenia związane z obsługą urządzenia. Dzieci nie mogą używać tego urządzenia do zabawy. Dzieci nie mogą czyścić ani konserwować urządzenia bez nadzoru.

⚠ **OSTROŻNIE:** W przypadku pęknięcia szklanej powierzchni płyty grzejnej natychmiast wyłączyć wszystkie palniki oraz elektryczne elementy grzejne i odłączyć urządzenie od zasilania; nie dotykać powierzchni urządzenia; nie korzystać z urządzenia.

Szklana pokrywa może pęknąć, jeśli zostanie podgrzana. Należy wyłączyć wszystkie palniki oraz płyty elektryczne przed zamknięciem pokrywy. Nie zamykać pokrywy, jeśli palnik jest zapalony.

⚠ **OSTRZEŻENIE:** Urządzenie i jego łatwo dostępne części mogą nagrzewać się podczas pracy. Należy uważać, aby nie dotknąć elementów grzejnych. Dzieci do lat 8 nie mogą znajdować się w pobliżu urządzenia bez stałego nadzoru.

### DOZWOLONE ZASTOSOWANIE

⚠ **OSTROŻNIE:** urządzenie nie zostało przeznaczone do obsługi za pomocą zewnętrznego urządzenia, np. timera, ani niezależnego systemu zdalnego sterowania.

⚠ To urządzenie jest przeznaczone do użytku w gospodarstwach domowych oraz do podobnych zastosowań takich jak: kuchnie dla pracowników w sklepach, biurach i innych środowiskach roboczych; gospodarstwa rolne; wykorzystanie przez klientów w hotelach, motelach oraz innych obiektach mieszkalnych.

⚠ Wszelkie inne zastosowania (np. ogrzewanie pomieszczeń) są zabronione.

⚠ To urządzenie nie jest przeznaczone do użytku przemysłowego. Urządzenia nie należy używać na zewnątrz.

⚠ Garnki lub patelnie powinny mieć średnicę dna równą lub nieco większą od palnika (patrz specjalna tabela). Upewnić się, że garnki postawione na ruszcie nie wystają poza krawędź płyty kuchennej.

⚠ Niewłaściwe użytkowanie rusztu może skutkować uszkodzeniem płyty kuchennej. Nie należy ustawiać rusztu do góry nogami lub przesuwając go po płycie kuchennej.

Nie dopuszczać, aby płomień palnika wychodził poza krawędź dna naczynia. Jeżeli powierzchnia płyty jest ze szkła, nie używać płyt żeliwnych, kamiennych grillów, garnków i patelni z terakoty.

Nie wolno używać: dyfuzorów ciepła takich jak siatki metalowe lub innych; dwóch palników jednocześnie dla jednego pojemnika (np. brytfanna do ryb). Jeśli zapalenie palnika będzie utrudnione z powodu szczególnych lokalnych warunków dostarczania gazu, zaleca się powtórzenie czynności przy pokrętle skręconym do uzyskania małego płomienia.

W przypadku montowania okapu nad płytą kuchenną należy odnieść się do instrukcji montowania okapu, aby sprawdzić prawidłową odległość między nim a płytą kuchenną.

Ochronne podkładki gumowe na rusztach mogą prowadzić do zadławienia małych dzieci. Po zdjęciu rusztu należy upewnić się, że wszystkie ochraniacze zostały prawidłowo założone.

## INSTALACJA

⚠ Przemieszczanie i montaż urządzenia wymaga udziału co najmniej dwóch osób – ryzyko obrażeń. Podczas wypakowywania i instalacji stosować rękawice ochronne - ryzyko skaleczenia.

⚠ Połączenia elektryczne i gazowe muszą być wykonane zgodnie z lokalnymi przepisami.

⚠ Instalacje, np. wodne (jeżeli dotyczy), podłączenia elektryczne i wszelkie naprawy powinny być przeprowadzane przez wykwalifikowanego technika. Nie należy naprawiać ani wymieniać żadnej części urządzenia, jeśli nie jest to wyraźnie dozwolone w instrukcji obsługi. Nie należy pozwalać dzieciom zbliżać się do miejsca instalacji.

Po rozpakowaniu urządzenia należy sprawdzić, czy nie zostało ono uszkodzone podczas transportu. W przypadku problemów należy skontaktować się z najbliższym serwisem technicznym. Po zakończeniu instalacji niepotrzebne elementy opakowania (plastik, elementy ze styropianu, itd.) należy przechowywać poza zasięgiem dzieci - ryzyko uduszenia. Przed przystąpieniem do jakichkolwiek czynności montażowych urządzenie należy odłączyć od zasilania elektrycznego – ryzyko porażenia prądem. Podczas instalacji upewnić się, że urządzenie nie może uszkodzić przewodu zasilającego – ryzyko pożaru lub porażenia prądem. Urządzenie można uruchomić dopiero po zakończeniu instalacji.

⚠ OSTRZEŻENIE: Dla zapewnienia bezpiecznego i prawidłowego użytkowania urządzenia we wszystkich pozostałych krajach, niezbędne jest przeprowadzenie modyfikacji urządzenia i sposobu jego instalacji.

⚠ Używać regulatorów ciśnienia odpowiednich do ciśnienia gazu wskazanego w Instrukcji.

⚠ Pomieszczenie musi być wyposażone w system poboru powietrza, wydalający wszystkie możliwe spaliny.

⚠ Pomieszczenie musi również posiadać odpowiednią wentylację, ponieważ dopływ powietrza jest niezbędny do prawidłowego przebiegu procesu spalania. Przepływ powietrza nie może być mniejszy niż 2 m<sup>3</sup>/godz. na kW zainstalowanej mocy.

⚠ System cyrkulacji powietrza może pobierać powietrze bezpośrednio z zewnątrz, za pomocą przewodu o przekroju wewnętrznym o średnicy co najmniej 100 cm<sup>2</sup>; otwór nie może być podatny na żadnego rodzaju blokady.

⚠ System może również dostarczać powietrze potrzebne do spalania w sposób pośredni, np. z przyległych pokoi wyposażonych w opisane wyżej przewody cyrkulacji powietrza. Pokoje te nie mogą być jednak pokojami wspólnymi, sypialniami lub pokojami, w których występuje zagrożenie pożarowe.

⚠ Płynny gaz ziemny, jako cięższy od powietrza, opada na podłogę. Dlatego też pomieszczenia, w których znajdują się butle z gazem LPG, muszą być wyposażone w wentylację,

umożliwiającą migrację gazu w przypadku wystąpienia nieszczelności. Dlatego też, butle z gazem LPG, częściowo ani całkowicie pełne, nie mogą być instalowane ani przechowywane w pomieszczeniach ani obszarach przechowywania znajdujących się pod poziomem ziemi (w piwnicach itd.). Zaleca się przechowywanie wyłącznie butli użytkowanych w danym pomieszczeniu, umieszczonych w taki sposób, by nie były narażone na kontakt z zewnętrznymi źródłami ciepła (piekarnikiem, kominkiem, piecem itp.), co mogłyby doprowadzić do podniesienia temperatury butli powyżej 50°C.

W razie problemów z obracaniem pokręteł palników, należy skontaktować się z serwisem w celu wymiany zaworów palnika, jeżeli okażą się one wadliwe. Nigdy nie zakrywać otworów używanych do wentylacji i dyspersji ciepła.

⚠ Przed wstawieniem urządzenia przyciąć szafkę i usunąć trociny i wióry.

⚠ Jeśli urządzenie nie zostało zainstalowane nad piekarnikiem, w szafce pod urządzeniem należy zamontować panel oddzielający (brak w zestawie).

## PODŁĄCZENIE GAZU

⚠ OSTRZEŻENIE: Przed przystąpieniem do montażu należy upewnić się, że lokalne warunki dystrybucji (rodzaj gazu i ciśnienie gazu) oraz konfiguracja urządzenia są zgodne.

⚠ Sprawdzić, czy ciśnienie zasilającego gazu jest zgodne z wartościami podanymi w Tabeli „Specyfikacje palników i dysz”.

⚠ OSTRZEŻENIE: Warunki dostosowania tego urządzenia określono w tabeli (lub na tabliczce znamionowej).

⚠ OSTRZEŻENIE: Urządzenie to nie jest podłączone do wyciągu produktów spalania. być zamontowane i podłączone zgodnie z obowiązującymi przepisami instalacyjnymi. Szczególną uwagę należy zwrócić na odpowiednie wymagania dotyczące wentylacji.

⚠ Jeśli urządzenie jest podłączone do gazu płynnego, śruba regulacyjna powinna zostać dokręcona możliwie jak najmocniej.

⚠ WAŻNE: W przypadku montażu butli z gazem lub pojemnika z gazem należy je odpowiednio osadzić (orientacja pionowa).

⚠ OSTRZEŻENIE: Ta operacja powinna być przeprowadzona przez wykwalifikowanego technika.

⚠ Do podłączenia gazowego należy używać wyłącznie elastycznego lub sztywnego węża metalowego.

⚠ Połączenie ze sztywnym przewodem (miedzianym lub stalowym). Podłączenie do instalacji gazowej należy przeprowadzić tak, aby w żaden sposób nie obciążyć urządzenia. Na rampie zasilającej urządzenie znajduje się nastawne złącze przewodu w kształcie litery L a montuje się je razem z uszczelką, aby zapobiec przeciekom. Po obróceniu złącza przewodu, uszczelkę należy zawsze wymieniać (uszczelka jest dostarczona wraz z urządzeniem). Złącze przewodu zasilania gazem to gwintowane, męskie przyłącze gazowe 1/2.

⚠ Podłączenie giętkiego bezszwowego stalowego przewodu do gwintowanego przyłączenia. Złącze przewodu zasilania gazem to gwintowane, męskie przyłącze gazowe 1/2. Przewody te muszą zostać

zainstalowane w taki sposób, by przy pełnym rozwinięciu nie przekraczały 2000 mm długości. Po wykonaniu podłączeń należy upewnić się, że elastyczny przewód metalowy nie dotyka żadnych ruchomych części i nie jest poddawany naciskowi. Należy używać wyłącznie przewodów i uszczelek, które są zgodne z obowiązującymi przepisami krajowymi.

⚠️ **WAŻNE:** W przypadku użycia węża ze stali nierdzewnej, należy go zainstalować w taki sposób, aby nie dotykał żadnej ruchomej części umeblowania (np. szafki). Musi on przechodzić przez obszar wolny od jakichkolwiek przeszkód i umożliwiający kontrolę na całej długości.

⚠️ Urządzenie należy podłączyć do źródła zasilania gazowego lub butli gazowej zgodnie z obowiązującym przepisami krajowymi. Przed wykonaniem podłączenia, upewnić się, że urządzenie jest kompatybilne z zasilaniem gazu, jakie ma zostać użyte. W przeciwnym razie, należy postępować zgodnie z instrukcjami podanymi w rozdziale „Dostosowanie do różnych typów gazu”.

⚠️ Po podłączeniu urządzenia do instalacji gazowej należy sprawdzić podłączenie pod kątem wycieków przy użyciu wody z mydłem. Zapalić palniki i przekręcić pokrętła od pozycji maksymalnej 1\* do pozycji minimalnej 2\*, aby sprawdzić stabilność płomienia.

### **DOSTOSOWANIE DO RÓŻNYCH TYPÓW GAZU**

(Ta operacja musi być wykonana przez wykwalifikowanego technika).

⚠️ W celu dostosowania urządzenia do rodzaju gazu innego niż ten dla którego zostało wyprodukowane (zaznaczono na tabliczce znamionowej) należy postępować zgodnie ze wskazówkami umieszczonymi pod rysunkami dotyczącymi instalacji urządzenia.

### **OSTRZEŻENIA DOTYCZĄCE ELEKTRYCZNOŚCI**

⚠️ **WAŻNE:** Informacje dotyczące poboru prądu i napięcia są umieszczone na tabliczce znamionowej.

⚠️ Musi istnieć możliwość odłączenia urządzenia od źródła zasilania przez wyjęcie wtyczki (jeśli wtyczka jest dostępna) lub za pomocą dostępnego przełącznika wielobiegowego, zainstalowanego w przewodzie do gniazda zasilania zgodnie z obowiązującymi normami krajowymi; urządzenie musi także posiadać uziemienie zgodne z obowiązującymi normami krajowymi dotyczącymi sprzętu elektrycznego.

⚠️ Przewód zasilający powinien mieć wystarczającą długość, aby umożliwić podłączenie zabudowanego urządzenia do sieci. Nie ciągnąć za przewód zasilający.

⚠️ Nie stosować przedłużaczy, rozdzielaczy ani adapterów. Po zakończeniu instalacji użytkownik nie powinien mieć dostępu do podzespołów elektrycznych urządzenia. Nie korzystać z urządzenia, będąc mokrym lub bez obuwia. Nie uruchamiać urządzenia, jeżeli kabel zasilający lub wtyczka są uszkodzone, jeśli urządzenie nie działa prawidłowo lub jeśli zostało ono uszkodzone bądź upuszczone.

⚠️ Jeśli przewód zasilający jest uszkodzony, jego wymiana na identyczny powinna być przeprowadzona

przez producenta, pracownika serwisu lub inną podobnie wykwalifikowaną osobę w celu uniknięcia niebezpieczeństwa – ryzyko porażenia prądem.


### **CZYSZCZENIE I KONSERWACJA**

⚠️ **OSTRZEŻENIE:** Sprawdzić, czy urządzenie zostało wyłączone i odłączone od źródła zasilania przed przystąpieniem do czynności konserwacyjnych; Nigdy nie należy stosować urządzeń czyszczących parą. Występuje ryzyko porażenia prądem.

⚠️ Nie należy używać środków ściernych, żrących, środków na bazie chloru ani środków do szorowania.

⚠️ Aby nie uszkodzić elektrycznego urządzenia zapłonowego, nie wolno go używać, gdy palniki nie są na swoich miejscach.


### **UTYLIZACJA OPAKOWANIA**

Materiał, z którego zrobione jest opakowanie, w 100% nadaje się do recyklingu i jest oznaczony symbolem .

Części opakowania nie należy wyrzucać, lecz zutylizować zgodnie z przepisami określonymi przez lokalne władze.

### **UTYLIZACJA URZĄDZEŃ AGD**

Urządzenie zostało wykonane z materiałów nadających się do recyklingu lub do ponownego użycia. Urządzenie należy utylizować zgodnie z miejscowymi przepisami dotyczącymi gospodarki odpadami. Aby uzyskać więcej informacji na temat utylizacji, odzyskiwania oraz recyklingu urządzeń AGD należy skontaktować się z lokalnym urzędem, punktem skupu złomu lub sklepem, w którym zakupiono urządzenie. To urządzenie jest oznaczone zgodnie z dyrektywą Unii Europejskiej 2012/19/UE w sprawie zużytego sprzętu elektrotechnicznego i elektronicznego (WEEE) oraz z przepisami dotyczącymi sprzętu elektrycznego i elektronicznego z 2013 r. (w brzmieniu zmienionym). Właściwa utylizacja urządzenia pomoże zapobiec ewentualnym negatywnym skutkom dla środowiska oraz zdrowia ludzkiego.

Symbol  na urządzeniu lub w dołączonej do niego dokumentacji oznacza, że urządzenia nie wolno traktować jak zwykłego odpadu domowego. Należy je przekazać do punktu zajmującego się utylizacją i recyklingiem urządzeń elektrycznych i elektronicznych.

### **WSKAZÓWKI DOTYCZĄCE OSZCZĘDZANIA ENERGII**

Używać naczyń i patelni, których szerokość spodu jest równa szerokości strefy grzewczej.

Stosować tylko garnki i patelnie o płaskim dnie.

Jeśli to możliwe, podczas gotowania przykrywać naczynia pokrywkami.

Dzięki naczyniom ciśnieniowym można zmniejszyć zużycie energii i skrócić czas gotowania.

### **DEKLARACJA ZGODNOŚCI**

To urządzenie spełnia wymagania: ekoprojektu z Rozporządzenia Komisji (UE) nr 66/2014 oraz rozporządzeń z 2019 r. dotyczących ekoprojektu dla produktów związanych z energią oraz informacji na temat energii (zmiana) (wyjście z UE), zgodnie z normą europejską EN 30-2-1.



| Rodzaj stosowanego gazu             | Rodzaj palnika       | Oznakowanie dyszy | Znamionowa wydajność termiczna<br>kW | Zużycie znamionowe | Znamionowa moc cieplna<br>kW | Ciśnienie gazu<br>mbar |      |       |
|-------------------------------------|----------------------|-------------------|--------------------------------------|--------------------|------------------------------|------------------------|------|-------|
|                                     |                      |                   |                                      |                    |                              | min.                   | nom. | maks. |
| GAZ ZIEMNY<br>(Metan)<br><b>G20</b> | Średni (SR)          | 97 A              | 1,65                                 | 157 l/h            | 0,40                         | 17                     | 20   | 25    |
|                                     | Pomocniczy (AUX)     | 78 A              | 1,00                                 | 95 l/h             | 0,40                         |                        |      |       |
|                                     | 2-Pierścieniowy (DC) | 140 H1            | 3,50                                 | 333 l/h            | 2,20                         |                        |      |       |
| GAZ ZIEMNY<br><b>G2.350</b>         | Średni (SR)          | 129 C             | 1,65                                 | 218 l/h            | 0,40                         | 10                     | 13   | 16    |
|                                     | Pomocniczy (AUX)     | 104               | 1,00                                 | 132 l/h            | 0,40                         |                        |      |       |
|                                     | 2-Pierścieniowy (DC) | 200               | 3,50                                 | 463 l/h            | 2,20                         |                        |      |       |
| GAZ ZIEMNY<br><b>G27</b>            | Średni (SR)          | 112               | 1,65                                 | 192 l/h            | 0,40                         | 16                     | 20   | 23    |
|                                     | Pomocniczy (AUX)     | 85 D              | 1,00                                 | 116 l/h            | 0,40                         |                        |      |       |
|                                     | 2-Pierścieniowy (DC) | 160 H1            | 3,30                                 | 383 l/h            | 2,20                         |                        |      |       |
| GAZ LPG<br>(Butan)<br><b>G30</b>    | Średni (SR)          | 62                | 1,65                                 | 120 g/h            | 0,50                         | 25                     | 37   | 45    |
|                                     | Pomocniczy (AUX)     | 47                | 1,00                                 | 73 g/h             | 0,45                         |                        |      |       |
|                                     | 2-Pierścieniowy (DC) | 88                | 3,30                                 | 240 g/h            | 2,20                         |                        |      |       |
| GAZ LPG<br>(Propan)<br><b>G31</b>   | Średni (SR)          | 62                | 1,65                                 | 118 g/h            | 0,50                         | 25                     | 37   | 45    |
|                                     | Pomocniczy (AUX)     | 47                | 1,00                                 | 71 g/h             | 0,45                         |                        |      |       |
|                                     | 2-Pierścieniowy (DC) | 88                | 3,30                                 | 236 g/h            | 2,20                         |                        |      |       |

| Rodzaj stosowanego gazu | Konfiguracja modelu<br>4 PALNIKI | Znamionowa wydajność termiczna (kW) | Zużycie znamionowe całkowite | Objętość powietrza (m <sup>3</sup> )<br>wymagana do spalania 1m <sup>3</sup><br>gazu |
|-------------------------|----------------------------------|-------------------------------------|------------------------------|--|
| <b>G20</b> 20 mbar      | 2SR - 1AUX - 1DC                 | 7,80                                | 743 l/h                      | 9,52   |
| <b>G2.350</b> 13 mbar   | 2SR - 1AUX - 1DC                 | 7,80                                | 1032 l/h                     | 6,85   |
| <b>G27</b> 20 mbar      | 2SR - 1AUX - 1DC                 | 7,60                                | 882 l/h                      | 7,90   |
| <b>G30</b> 37 mbar      | 2SR - 1AUX - 1DC                 | 7,60                                | 553 g/h                      | 30,94  |
| <b>G31</b> 37 mbar      | 2SR - 1AUX - 1DC                 | 7,60                                | 543 g/h                      | 23,80  |

ZASILANIE ELEKTRYCZNE: 220-240 V ~ 50-60 Hz - 1,1 W

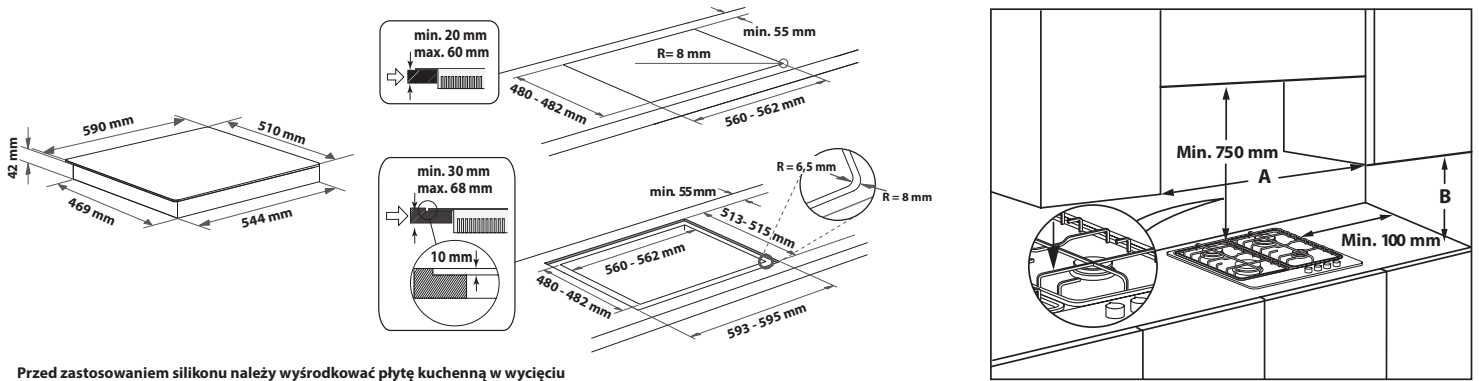


## INSTALACJA (3 KLASA)

### INFORMACJE TECHNICZNE DLA INSTALATORA

- Podczas przenoszenia, przygotowania i instalowania urządzenia należy używać rękawic ochronnych.
- Niniejsze urządzenie można osadzać w blatach roboczych o grubości od 20 do 60 mm, ze standardową instalacją. Do montażu na równi z blatem 30 ÷ 68.
- Jeśli pod płytą kuchenną nie ma piekarnika, należy zainstalować płytę oddzielającą, której powierzchnia jest co najmniej równa otworowi w blacie roboczym. Odległość pomiędzy ww. płytą oddzielającą, która musi całkowicie pokrywać wycięcie, aby zapobiec kontaktowi ze spodem płyty kuchennej, a górną powierzchnią blatu roboczego nie może przekraczać 150 mm. W żadnym przypadku odległość pomiędzy płytą oddzielającą a dolną częścią płyty kuchennej nie może być mniejsza od 20 mm. Jeżeli użytkownik zamierza zainstalować piekarnik pod płytą kuchenną, powinno to być urządzenie wyposażone w układ chłodzenia.

### OBLIGATORYJNE WYMIARY I ODLEGŁOŚCI



Przed zastosowaniem silikonu należy wyśrodkować płytę kuchenną w wycięciu

**UWAGA:** Jeśli odległość "A" pomiędzy szafkami ściennymi mieści się w przedziale od 600 mm do 730 mm, to wysokość "B" musi wynosić minimum 530 mm. Jeśli odległość "A" pomiędzy szafkami ściennymi jest większa od szerokości płyty, to wysokość "B" musi wynosić co najmniej 400 mm. W razie instalowania okapu nad płytą prawidłową odległość należy sprawdzić w instrukcji okapu.

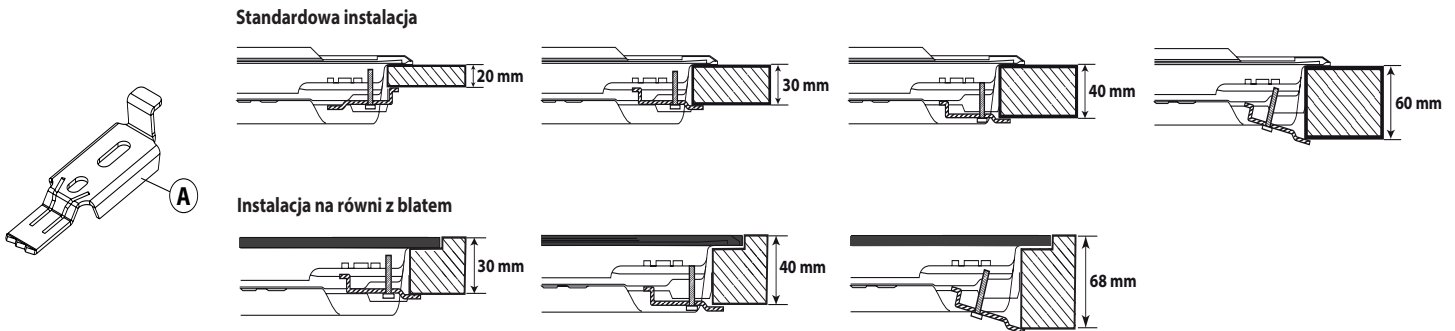
### MONTAŻ

Po oczyszczeniu powierzchni na obwodzie należy zamontować dostarczoną uszczelkę na płycie kuchennej.

Ustawić płytę kuchenną w otworze blatu roboczego przestrzegając wymiarów podanych w karcie opisowej urządzenia.

**Uwaga:** Przewód zasilający musi być wystarczająco długi, aby umożliwić wyjęcie płyty do góry.

Aby zamocować płytę kuchenną, należy użyć dostarczonych w zestawie elementów mocujących (A). Przymocować elementy do odpowiednich otworów wskazanych strzałką, a następnie przykręcić wkrętami w zależności od grubości blatu roboczego (patrz poniższe rysunki).

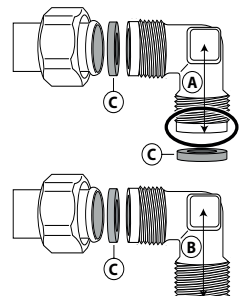


### PODŁĄCZENIE GAZOWE

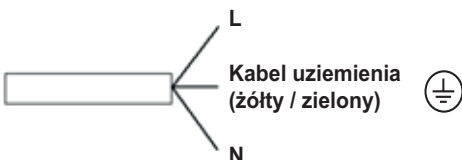
- Podłączyć kolanko (A)\* lub (B)\* dostarczone z główną rurą wlotową płyty, używając dołączonej podkładki (C), zgodnie z EN 549.

\* We Francji należy użyć kolanka (A), natomiast w innych krajach należy użyć kolanka (B).

- Po podłączeniu do sieci gazowniczej należy sprawdzić szczelność za pomocą wody z mydłem. Zapalić palniki i przekręcić pokrętkę od pozycji maksymalnej do pozycji minimalnej aby sprawdzić stabilność płomienia.

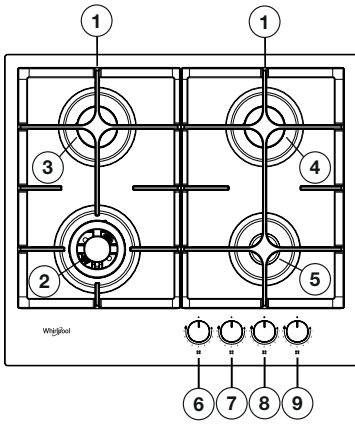


### PODŁĄCZENIE ELEKTRYCZNE





# OPIS PRODUKTU



1. Zdejmowane kratki do stawiania naczyń
2. Palnik 2-Pierścieniowy
3. Palnik Średni
4. Palnik Średni
5. Palnik Pomocniczy
6. Pokrętko regulacji palnika 2-Pierścieniowego
7. Pokrętko regulacji palnika średniego
8. Pokrętko regulacji palnika średniego
9. Pokrętko regulacji palnika pomocniczego

## Symbole

- Wypełnione kółko ● Zawór zamknięty
- Duży płomień 🔥 Maksymalne otwarcie/podawanie i elektryczny zapłon
- Mały płomień 🔥 Minimalne otwarcie lub obniżone dostarczanie



# CODZIENNA EKSPLOATACJA

## JAK KORZYSTAĆ Z PŁYTY

⚠ Nie dopuszczać, aby płomień palnika wychodził poza krawędź dna naczynia.

**WAŻNE: gdy płyta pracuje, cały jej obszar może być gorący.**

- Aby zapalić jeden z palników, należy obrócić odpowiednie pokrętko przeciwnie do ruchu wskazówek zegara, w położenie maksymalnego płomienia.
- Nacisnąć pokrętko w kierunku do pulpitu sterującego, aby dokonać zapłonu palnika.
- Po zapłonie palnika trzymać pokrętko wciśnięte przez ok. 5-10 sekund, aby umożliwić prawidłowe zadziałanie mechanizmu.
- Zabezpieczenie, w które jest wyposażony palnik, zablokuje wypływ gazu w sytuacji przypadkowego zgaśnięcia (podmuchy powietrza, chwilowy brak gazu, wykipienie płynów itd.).
- Nie wciskać pokrętła na dłużej niż 15 s. Jeżeli po upływie tego czasu palnik gaśnie, należy odczekać co najmniej jedną minutę przed podjęciem następnej próby zapłonu. W razie przypadkowego zgaszenia płomienia, wyłączyć pokrętko palnika i odczekać co najmniej minutę przed ponownym włączeniem.**

**UWAGA: Jeżeli parametry gazu dostarczanego w danym regionie powodują, że zapłon palnika jest utrudniony, zaleca się wykonanie ponownego zapłonu, ale przy położeniu pokrętła na symbolu małego płomienia.**

**Palnik może zgasnąć po zwolnieniu pokrętła.** Oznacza to, że mechanizm zabezpieczający nie rozgrzał się w wystarczającym stopniu. W takim przypadku należy powtórzyć czynności opisane powyżej.

W przypadku przypadkowego zgaśnięcia płomienia palnika, zakręcić pokrętko sterujące i ponowić próbę zapalenia po upływie przynajmniej 1 minuty.

## PORADY PRAKTYCZNE UŻYTKOWANIA PALNIKÓW

Płyta została wyposażona w palniki o różnych średnicach. W celu zapewnienia optymalnej wydajności palników należy przestrzegać następujących zasad:

- korzystać z garnków i patelni o szerokości dna takiej samej lub nieco większej od szerokości palników (patrz tabela po prawej stronie),
- używać wyłącznie garnków i patelni z płaskim dnem;
- do gotowania używać odpowiedniej ilości wody i przykrywać garnek pokrywą;
- upewnić się, że garnki stojące na kratkach nie wystają poza krawędź płyty,
- w przypadku patelni z wypukłym dnem (woków) należy korzystać z kratki podpierającej (brak w komplecie), którą należy umieszczać wyłącznie na palniku 2-pierścieniowym,
- uniknąć przypadkowych uderzeń garnkami, rusztami lub innymi przyrządami kuchennymi;
- nie zostawiać pustej patelni grillowej na palniku na dłużej niż 5 minut.

**WAŻNE: nieprawidłowe używanie kratki może powodować uszkodzenie płyty: nie kłaść kratki spodem do góry ani nie przesuwaj ich po powierzchni płyty.**

| PALNIK          | Ø GARNKA       |
|-----------------|----------------|
| 2-Pierścieniowy | Od 24 do 26 cm |
| Średni          | Od 16 do 22 cm |
| Pomocniczy      | Od 8 do 14 cm  |

Nie należy używać:

- Żeliwnych form do pieczenia, kamiennych płyt, garnków i patelni z terakoty.
- Rozpraszaczy ciepła takich jak siatki metalowe i inne.
- Jednocześnie dwóch palników do jednego naczynia (np. kocioł do gotowania ryb).

Płyny rozlane na gorącej powierzchni płyty mogą spowodować uszkodzenie szkła.

## USTAWIANIE DO RÓŻNYCH RODZAJÓW GAZU

⚠ Ta czynność powinna być wykonana przez wykwalifikowanego technika.

Jeżeli urządzenie ma pracować z wykorzystaniem gazu innego typu niż podany na tabliczce znamionowej oraz naklejce informacyjnej znajdującej się na górze płyty kuchennej, należy wymienić dysze.

Naklejkę informacyjną należy zdjąć i przechowywać łącznie z instrukcją obsługi.

**Należy zastosować reduktory gazu odpowiednie dla ciśnień podanych w instrukcji:**

- Dysze gazowe muszą być wymieniane w serwisie lub przez wykwalifikowanego technika.
- Dysze, które nie zostały dostarczone wraz z urządzeniem, muszą być zamówione w serwisie.
- Regulacja minimalnego ustawienia zaworów.

**UWAGA: Jeżeli używany jest gaz LPG (G30/G31), śruba regulacji minimalnego ustawienia gazu musi zostać wkręcona do oporu.**

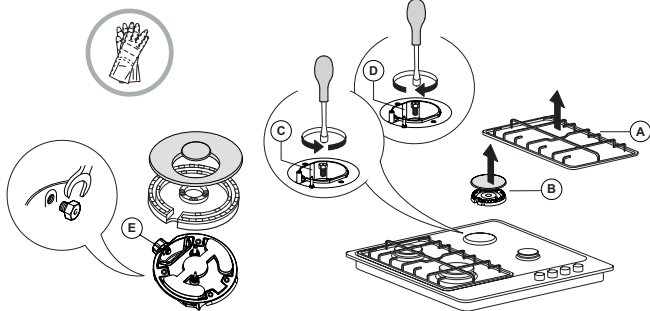
**WAŻNE: W razie problemów z obracaniem pokręteł palników należy skontaktować się z serwisem w celu wymiany zaworów palnika, jeżeli okażą się one wadliwe.**

**WAŻNE: W przypadku korzystania z gazu w butlach należy zapewnić odpowiednie ustawienie butli (w pozycji pionowej).**

## WYMIANA DYSZ (patrz tabela dysz we Wskazówkach dotyczących bezpieczeństwa)

⚠ Ta czynność powinna być wykonana przez wykwalifikowanego technika.

- Zdjąć ruszt (A).
- Wyjąć palniki (B).
- Odpowiednim kluczem nasadowym odkręcić dyszę (C) do wymiany.
- Dokonać wymiany na dyszę odpowiednią dla nowego rodzaju gazu.
- Ponownie zamontować dyszę (D).
- W przypadku palnika z wieloma koronami należy użyć klucza płaskiego do wymiany dyszy (E).



Przed zainstalowaniem płyty kuchennej pamiętać o przymocowaniu płytki kalibracji gazu dostarczonej wraz z dyszami w taki sposób, aby przykryła ona obecną informację dotyczącą kalibracji gazu.

## REGULACJA MINIMALNYCH USTAWIEŃ GAZU W ZAWORACH

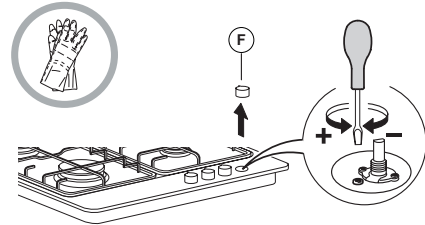
⚠ Ta czynność powinna być wykonana przez wykwalifikowanego technika. Regulacji należy dokonywać, gdy zawór jest ustawiony na pozycji minimalnego gazu (mały płomień).

Powietrze pierwotne palników nie wymaga regulacji.

Aby upewnić się, że ustawienie minimalne jest prawidłowo wyregulowane, należy zdjąć pokrętło (F) i wykonać następujące czynności:

- dokręcić (-), aby zredukować wysokość płomienia;
- poluzować (+), aby zwiększyć wysokość płomienia.

Na tym etapie należy zapalić palniki i przekręcić pokrętła od pozycji maksymalnej do pozycji minimalnej aby sprawdzić stabilność płomienia.



Po zakończeniu regulacji, należy dokonać ponownego uszczelnienia używając kitu próżniowego lub równoważnego materiału.

## WIELOPOZIOMOWY PŁOMIEŃ

| POZIOM | METODY/RODZAJE GOTOWANIA (SUGEROWANE DLA) | WSKAZÓWKI DOTYCZĄCE GOTOWANIA   |
|--------|---|---|
| 1-2    | PODGRZEWANIE                              | Idealne do zmiękczenia masła, delikatnego roztapiania czekolady w kąpeli wodnej, rozmrażania małych porcji, zagęszczania risotto.   |
|        | DELIKATNE GOTOWANIE                       |   |
| 3-4    | GOTOWANIE NA WOLNYM OGNIU                 | Idealne do wolno gotujących się potraw (ryż, sosy, pieczenie, ryby) z płynnymi dodatkami (np. wodą, winem, bulionem), oraz do zagęszczania dań z makaronu, delikatnego gotowania. |
|        | DUSZENIE                                  |   |
| 5-6    | PIECZENIE                                 | Idealne do smażenia w małej ilości tłuszczu, duszenia warzyw, dłuższego gotowania, podgrzewania akcesoriów kuchennych, gotowania aż do zagęszczenia potrawy.                      |
|        | SMAŻENIE                                  |   |
| 7-8    | SMAŻENIE W RUCHU                          | Doskonały do przyrumieniania, podgotowywania, smażenia produktów głęboko zamrożonych, grillowania mięs i ryb, szybkiego doprowadzania płynów do wrzenia.                          |
|        | GRILLOWANIE                               |   |
| 9      | SZYBKIE PODGRZEWANIE                      | Idealne do szybkiego podwyższania temperatury jedzenia lub do podgrzewania płynów (np. wody).   |

## KONSERWACJA I CZYSZCZENIE

⚠ Odłączyć urządzenie od zasilania.

### CZYSZCZENIE POWIERZCHNI PŁYTY KUCHENNEJ

- Wszystkie części emaliowane i szklane należy czyścić ciepłą wodą i neutralnym roztworem.
- Powierzchnie ze stali nierdzewnej mogą ulec odbarwieniu w wyniku zbyt długiego kontaktu z zakamienioną wodą lub agresywnymi detergentami. Wszelkie rozlane resztki potraw (woda, sos, kawa, itp.) należy wytrzeć zanim zaschną.
- Czyścić ciepłą wodą z neutralnym detergentem, a następnie osuszyć miękką ściereczką lub irchą. Przypieczony brud należy usuwać przy pomocy specjalnych czyścików do powierzchni ze stali nierdzewnej.

**Uwaga: Stal nierdzewną czyścić jedynie miękką ściereczką lub gąbką.**

- Nie używać środków ściernych i żrących, czyścików na bazie chloru ani druciaków do patelni.
- Nie korzystać z urządzeń czyszczących parą.
- Nie stosować produktów łatwopalnych.
- Nie pozostawiać na płycie rozlanych substancji kwaśnych lub alkalicznych, jak np. octu, musztardy, soli, cukru lub soku cytrynowego.

### CZYSZCZENIE ELEMENTÓW PŁYTY

- Ruszty, korony palników i palniki można zdemontować do czyszczenia.
- Należy je czyścić ręcznie ciepłą wodą z nieściernym detergentem. Ostrożnie usuwać wszelkie pozostałości żywności. Sprawdzić, czy żaden z otworów palników nie jest zatkany.
- Ostrożnie opłukać i wysuszyć.
- **Ruszty żeliwne można myć w zmywarce. Usunąć wszelkie przypalone potrawy przed umieszczeniem rusztów w najniższym koszu zmywarki.**
- Zainstalować palniki i grzybki palników w prawidłowy sposób, umieszczając je w odpowiednich miejscach.
- Przy zakładaniu krutek należy upewnić się, czy miejsca na naczynia są wyrównane z palnikami.
- Modele wyposażone w elektryczne świece zapłonowe oraz urządzenie zabezpieczające wymagają dokładnego czyszczenia końcówek świec, w celu zapewnienia ich prawidłowego działania. Elementy te należy często kontrolować i czyścić wilgotną ściereczką w miarę potrzeb. Przypieczoną żywność należy usuwać wykałaczką lub igłą.

**Uwaga: Aby nie uszkodzić elektrycznego urządzenia zapłonowego, nie wolno go używać, gdy palniki nie są na swoich miejscach.**

## USUWANIE USTEREK

Jeśli płyta nie pracuje prawidłowo, przed wezwaniem serwisu należy zapoznać się z instrukcją wyszukiwania i usuwania usterek, aby ustalić na czym polega problem.

### 1. Nie można zapalić palnika lub płomień jest nierównomierny

Sprawdzić, czy:

- zasilanie gazowe lub elektryczne nie są odcięte, zwłaszcza jeżeli zawór na linii gazowej jest otwarty.
- butla gazowa (gaz LPG) nie jest pusta.
- otwory palników nie są zatkane.
- końcówka świecy nie jest brudna.
- wszystkie elementy palnika zostały prawidłowo ustawione.
- nie ma przeciągów w pobliżu kuchni.

### 2. Palnik gaśnie

Sprawdzić, czy:

- podczas zapalania palnika pokrętko zostało przytrzymane wystarczająco długo, aby uaktywnić zabezpieczenie.
- otwory palnika nie są zatkane w pobliżu termoelementu.
- końcówka urządzenia zabezpieczającego nie jest zanieczyszczona.
- ustawienie minimalne gazu jest prawidłowe (patrz stosowny rozdział).

### 3. Pojemniki nie są stabilne

Sprawdzić, czy:

- dno pojemnika jest idealnie płaskie
- pojemnik jest ustawiony centralnie nad palnikiem.
- ruszty nie zostały zamienione lub ustawione nieprawidłowo.

Jeśli pomimo powyższych zabiegów usterka wciąż się powtarza, należy skontaktować się z najbliższym serwisem technicznym.

## SERWIS TECHNICZNY

W celu uzyskania kompleksowej pomocy prosimy zarejestrować urządzenie na stronie [www.whirlpool.eu/register](http://www.whirlpool.eu/register).

### PRZED SKONTAKTOWANIEM SIĘ Z SERWISEM NALEŻY:

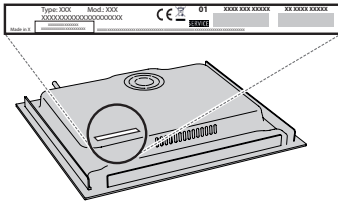
1. Sprawdzić, czy nie można samodzielnie rozwiązać problemu, zgodnie z zaleceniami opisanymi w paragrafie **USUWANIE USTEREK**.
2. Wyłączyć i ponownie włączyć urządzenie, aby sprawdzić, czy usterka nie ustąpiła.

**JEŚLI PO PRZEPROWADZENIU POWYŻSZYCH CZYNNOŚCI URZĄDZENIE NADAL NIE DZIAŁA PRAWIDŁOWO, NALEŻY SKONTAKTOWAĆ SIĘ Z NAJBLIŻSZYM AUTORYZOWANYM SERWISEM TECHNICZNYM.**

Aby otrzymać pomoc, należy zadzwonić pod numer znajdujący się w karcie gwarancyjnej lub postępować zgodnie z instrukcjami zamieszczonymi na stronie [www.whirlpool.eu](http://www.whirlpool.eu).

Kontaktując się z naszym serwisem posprzedażnym, należy zawsze podać:

- krótki opis usterki;
- dokładny typ i model urządzenia;



- numer seryjny (numer po literach „SN” na tabliczce znamionowej znajdującej się pod urządzeniem). Numer seryjny jest również podany w dokumentacji;



Mod. XXX XXX

Ind.C. XXXX XXXX XXXX

Prod.N. 86999XXXXXX S.N. XXXX XXXX XXXX

- dokładny adres;
- numer telefonu

Jeśli konieczna będzie naprawa, należy zwrócić się do autoryzowanego serwisu technicznego (zapewni to gwarancję zastosowania oryginalnych części zamiennych oraz właściwie przeprowadzonej naprawy).

Kompletní návod k obsluze si stáhněte na stránce <http://docs.whirlpool.eu> nebo zavolejte na telefonní číslo uvedené v záručním listě.

⚠ Tyto pokyny platí v případě, pokud je na spotřebiči uveden symbol země. Pokud takový symbol na přístroji není, je třeba nahlédnout do technických pokynů, kde naleznete potřebné informace týkající se úpravy nastavení spotřebiče na podmínky pro používání v dané zemi.

⚠ **UPOZORNĚNÍ:** Použití plynového sporáku vede k produkci tepla, vlhkosti a produktů spalování v místnosti, ve které je instalován. Ujistěte se, že je kuchyň dobře větraná, zvláště je-li spotřebič v provozu: ponechte otevřené otvory pro přirozenou ventilaci, nebo nainstalujte mechanické ventilační zařízení (mechanickou odtahovou digestoř). Dlouhé a intenzivní používání přístroje může vyžadovat další způsob větrání, například otevření okna, popřípadě efektivnější ventilaci zvýšením úrovně mechanické ventilace tam, kde je k dispozici.

⚠ Pokud se nebudete přesně řídit informacemi v této příručce, může dojít k požáru nebo výbuchu s následkem poškození majetku nebo zranění osob.

Před použitím spotřebiče si přečtěte tyto bezpečnostní pokyny. Mějte je při ruce pro účely pozdějšího použití.

V těchto pokynech a na samotném spotřebiči jsou uvedena důležitá bezpečnostní upozornění, která je třeba za všech okolností dodržet. Výrobce odmítá nést jakoukoli odpovědnost za poruchy, které byly způsobeny nedodržením bezpečnostních pokynů, nevhodným používáním spotřebiče nebo nesprávným nastavením ovladačů.

⚠ **VÝSTRAHA:** Pokud je varný povrch popraskaný, zařízení nepoužívejte. Riziko elektrického šoku.

⚠ **VÝSTRAHA:** Nebezpečí požáru: Na varném povrchu neskladujte žádné předměty.

⚠ **UPOZORNĚNÍ:** Proces vaření musí probíhat pod kontrolou. Krátké vaření musí být neustále monitorováno.

⚠ **VÝSTRAHA:** Vaření pokrmů s obsahem tuku nebo oleje bez dozoru na varné desce může být nebezpečné. Riziko požáru! NIKDY se nepokoušejte hasit oheň vodou. Spotřebič vypněte a pak plamen přikryjte pokličkou nebo hasicí dekou.

⚠ Varnou plochu nepoužívejte jako pracovní plochu nebo oporu. Do blízkosti spotřebiče nepokládejte oděvy nebo jiné hořlavé materiály, dokud veškeré součásti zcela nevychladnou. Riziko požáru!

⚠ Velmi malé děti (0–3 roky) je třeba držet v bezpečné vzdálenosti od spotřebiče. Malé děti (3–8 let) by se neměly ke spotřebiči přibližovat, pokud nejsou pod dozorem. Děti starší 8 let a osoby s fyzickým, smyslovým či duševním postižením nebo bez patřičných zkušeností a znalostí mohou tento spotřebič používat pouze pod dohledem nebo tehdy, pokud obdržely informace o bezpečném použití spotřebiče a rozumějí rizikům,

kteří s jeho používáním souvisejí. Nedovolte dětem, aby si se spotřebičem hrály. Nedovolte dětem, aby bez dohledu prováděly čištění a běžnou údržbu spotřebiče.

⚠ **UPOZORNĚNÍ:** V případě, že praskne sklo plotýnky: okamžitě vypněte všechny hořáky a všechny elektrické topné články a odpojte spotřebič od elektrické sítě, nedotýkejte se povrchu spotřebiče, spotřebič nepoužívejte. Skleněné víko se při zahřátí může rozlomit. Před zavřením víka vypněte všechny hořáky a elektrické plotýnky. Víko nezavírejte, pokud hořák hoří.

⚠ **VÝSTRAHA:** Spotřebič a jeho přístupné součásti se při použití zahřívají. Je třeba dbát opatrnosti, abyste se nedotkli topných těles. Děti mladší 8 let se nesmějí ke spotřebiči přibližovat, pokud nejsou pod dohledem dospělé osoby.

### POVOLENÉ POUŽITÍ

⚠ **UPOZORNĚNÍ:** Tento spotřebič není určen k řízení pomocí externího zařízení, jako je např. časovač, nebo samostatného systému dálkového ovládání.

⚠ Tento spotřebič je určen k použití v domácnostech a zařízeních, jako jsou: kuchyňské kouty pro zaměstnance v obchodech, kancelářích a na jiných pracovištích; statky; klienty hotelů, motelů, zařízení typu „bed & breakfast“ a jiných rezidenčních prostředích.

⚠ Není přípustné jej používat jiným způsobem (např. k vytápění místností).

⚠ Tento spotřebič není určen k profesionálnímu použití. Spotřebič nepoužívejte venku.

⚠ Používejte nádoby s průměrem dna stejným, jako je průměr varné zóny hořáku, nebo jen nepatrně větším (viz zvláštní tabulka). Dbejte na to, aby nádoby na mřížce nepřesahovaly okraj varné desky.

⚠ Nevhodné použití mřížek může plotnu poškodit: Nepokládejte mřížky na varnou desku obráceně ani je po desce neposouvajte.

Plamen hořáku nesmí přesahovat za okraj dna hrnce či pánve.

Pokud je povrch varné desky vyroben ze skleněného materiálu, nepoužívejte litinové rošty, keramické kameny a terakotové hrnce nebo pánve.

Nepoužívejte: rozptylovače tepla, jako jsou kovové mřížky apod.; dva hořáky současně na jednu nádobu (např. hrnec na ryby).

Pokud konkrétní místní podmínky dodávky plynu znesnadňují zapálení hořáku, doporučujeme zopakovat postup s ovladačem nastaveným na malý plamen.

V případě instalace digestoře nad horní panel sporáku naleznete údaje o správné vzdálenosti digestoře od panelu sporáku v návodu k digestoři.

malé děti by se při hře s ochrannými gumovými nožičkami na mřížkách mohly udusit. Po odstranění mřížek se prosím ujistěte, že všechny patky jsou správně nasazeny.

### INSTALACE

⚠ Stěhování a instalace spotřebiče vyžaduje minimálně dvě osoby – nebezpečí zranění. Při rozbalování a instalaci používejte ochranné rukavice – nebezpečí pořezání.

⚠ Připojení elektřiny a plynu musí být v souladu s místními předpisy.

⚠ Instalaci, včetně připojení přívodu vody (pokud nějaký existuje) a elektřiny, a opravy musí provádět kvalifikovaný technik. Neopravujte ani nevyměňujte žádnou část spotřebiče, pokud to není výslovně uvedeno v návodu



k použití. Nedovolte dětem, aby se přibližovaly k místu instalace. Po vybalení spotřebiče se přesvědčte, že nebyl při dopravě poškozen. V případě problémů se obraťte na prodejce nebo na nejbližší servisní středisko. Po instalaci musí být obalový materiál (plasty, polystyrenová pěna atd.) uložen mimo dosah dětí – nebezpečí udušení. Před zahájením instalace je nutné spotřebič odpojit od elektrické sítě – nebezpečí úrazu elektrickým proudem. Během instalace se ujistěte, že zařízení nepoškozuje napájecí kabel – nebezpečí požáru a úrazu elektrickým proudem. Zařízení nezapínejte, dokud nebyla ukončena instalace.

⚠ **VÝSTRAHA:** Modifikace spotřebiče a způsob jeho instalace mají za účelem bezpečného a správného používání spotřebiče ve všech dalších zemích zásadní důležitost.

⚠ Používejte regulátory tlaku vhodné pro tlak plynu uvedený v pokynech.

⚠ Místnost musí být vybavena systémem odsávání vzduchu, který vypudí veškeré spaliny. Může to být digestoř nebo elektrický ventilátor, které se zapnou automaticky s každým zapnutím spotřebiče.

⚠ Místnost musí také umožňovat správnou cirkulaci vzduchu, protože ten je zapotřebí k tomu, aby spalování probíhalo normálně. Průtok vzduchu nesmí být nižší než 2 m<sup>3</sup>/h na kW instalovaného výkonu.

⚠ Systém cirkulace vzduchu může odebírat vzduch přímo zvenčí, a to pomocí trubky s vnitřním průřezem alespoň 100 cm<sup>2</sup>; otvor nesmí být náchylný k zablokování.

⚠ Systém může vzduch potřebný pro spalování dodávat rovněž nepřímou, tj. z přilehlých místností vybavených vzduchovými cirkulačními trubkami, jak je popsáno výše. Nesmí se však jednat o prostory, jako jsou společenské místnosti, ložnice nebo místnosti, které představují nebezpečí požáru.

⚠ Kapalný ropný plyn klesá k podlaze, neboť je těžší než vzduch. Proto musí být místnosti, ve kterých se nacházejí láhve s LPG, rovněž vybaveny větracími otvory, které umožní odvětrání plynu v případě jeho úniku. V důsledku toho nesmí být láhve s LPG, ať již částečně či zcela naplněné, instalovány nebo skladovány v místnostech nebo skladovacích prostorách, které se nacházejí pod úrovní země (ve sklepech apod.). Doporučujeme vám ponechat v místnosti pouze láhev, kterou právě používáte a která je umístěna tak, aby nebyla vystavena působení tepla ze strany externích zdrojů (trub, krbů, sporáků atd.), jejichž prostřednictvím by mohlo dojít ke zvýšení teploty láhve nad 50 °C.

Pokud jdou ovladače hořáků otáčat jen ztuha, obraťte se prosím na náš poprodejní servis; v případě shledání závady bude nutné ventil hořáku vyměnit.

Otvory používané pro větrání a rozptylování tepla se nikdy nesmí zakrývat.

⚠ Je-li nutné skříňku, do které bude zařízení umístěno, přizpůsobit, proveďte tyto práce ještě předtím, než jej do skříňky zasunete. Následně odstraňte všechny dřevěné třísky a piliny.

⚠ Pokud není spotřebič nainstalován nad troubou, pod spotřebič je třeba nainstalovat i oddělovací panel (není součástí balení).

## PŘIPOJENÍ PLYNU

⚠ **VÝSTRAHA:** Před prováděním instalace se ujistěte, že místní distribuční podmínky (druh plynu a jeho tlak) a nastavení spotřebiče si odpovídají.

⚠ Zkontrolujte, zda přívodní tlak plynu odpovídá hodnotám uvedeným v tabulce „Specifikace hořáku a trysek“.

⚠ **VÝSTRAHA:** Podmínky nastavení vztahující se k tomuto zařízení jsou uvedeny na etiketě (nebo výrobním štítku).

⚠ **VÝSTRAHA:** Tento spotřebič není připojen k zařízení pro odvod produktů spalování. Je třeba jej nainstalovat a připojit v souladu s aktuálními předpisy pro instalaci. Je třeba věnovat zvláštní pozornost příslušným požadavkům na odvětrávání.

⚠ Pokud jsou spotřebiče připojeny k zásobníku kapalného plynu, je třeba co nejdříve utáhnout regulační šroub.

⚠ **DŮLEŽITÉ:** V případě použití tlakové láhve musí být tlaková láhev správně usazena (ve svislé poloze).

⚠ **VÝSTRAHA:** Tento úkon musí provést kvalifikovaný technik.

⚠ K připojení plynu použijte pouze ohebnou nebo pevnou kovovou hadici.

⚠ Připojení k pevnému potrubí (měděnému nebo ocelovému) Připojení k plynovému systému musí být provedeno tak, aby bylo vyloučeno jakékoli zatížení přístroje. Na plošině spotřebiče pro zásobník plynu se nachází nastavitelná potrubní armatura ve tvaru L opatřená těsněním chránícím před úniky. Po otočení potrubní armatury je třeba těsnění vždy vyměnit (těsnění se dodává společně se spotřebičem). Potrubní armatura pro přívod plynu je opatřena vnějším půlpalcovým závitem.

⚠ Připojení flexibilní trubky bez svarů z nerezavějící oceli k závitovému nástavci Potrubní armatura pro přívod plynu je opatřena vnějším půlpalcovým závitem. Tyto trubky musejí být instalovány tak, aby při svém plném roztažení nikdy nepřesáhly délku 2 000 mm. Poté, co připojení zrealizujete, ujistěte se, že se ohebná kovová trubka nedotýká žádných pohyblivých součástí a nic na ni netlačí. Používejte pouze takové trubky a těsnění, která odpovídají aktuálním národním předpisům.

⚠ **DŮLEŽITÉ:** Pokud použijete hadici z nerezové oceli, musí být instalována tak, aby se nedotýkala žádné pohyblivé části nábytku (např. zásuvky). Hadice musí procházet prostorem bez překážek a tak, aby bylo možné ji kontrolovat po celé její délce.

⚠ Spotřebič by měl být k hlavnímu přívodu plynu nebo plynové láhvi připojen v souladu s platnými národními předpisy. Před realizací připojení se ujistěte, že je spotřebič kompatibilní s dodávkou takového plynu, který hodláte použít. Pokud tomu tak není, postupujte podle pokynů uvedených v odstavci „Přizpůsobení pro jiné typy plynových paliv“.

⚠ Po připojení k přívodu plynu zkontrolujte případné netěsnosti pomocí mýdlové vody. Vyzkoušejte stálost plamene tak, že hořáky zapálíte a otočíte ovládací knoflíky z maximální polohy 1\* do minimální polohy 2\*.



## PŘÍZPŮSOBENÍ PRO JINÉ TYPY PLYNOVÝCH PALIV

(Tento úkon musí provést kvalifikovaný technik).

⚠ Za účelem přizpůsobení spotřebiče jinému typu plynu, než je ten, pro který byl vyroben (je vyznačeno na typovém štítku), postupujte podle příslušných kroků uvedených v instalačních výkresech.

## UPOZORNĚNÍ NA PŘERUŠENÍ DODÁVKY ELEKTRICKÉ ENERGIE

⚠ **DŮLEŽITÉ:** Informace o spotřebě proudu a napětí je uvedena na typovém štítku.

⚠ V souladu s národními bezpečnostními normami týkajícími se elektrických zařízení musí být možné odpojit spotřebič od elektrické sítě vytažením zástrčky, pokud je zástrčka přístupná, nebo, v souladu s pravidly pro zapojování, prostřednictvím vícepólového vypínače umístěného před zásuvkou a spotřebič musí být uzemněn.

⚠ Napájecí kabel musí být natolik dlouhý, aby umožnil připojení spotřebiče zabudovaného do skříňky k elektrické síti. Nikdy netahejte za napájecí kabel.

⚠ Nepoužívejte prodlužovací kabely, sdružené zásuvky nebo adaptéry. Po provedení instalace nesmí být elektrické prvky spotřebiče pro uživatele přístupné. Nepoužívejte spotřebič, pokud jste mokří nebo naboso. Tento spotřebič nezapínejte, pokud je poškozen napájecí síťový kabel či zástrčka, pokud správně nefunguje nebo byl poškozen či spadl.

⚠ Jestliže je poškozený přívodní kabel, smí ho vyměnit (za identický díl) pouze výrobce, servisní technik nebo osoba s obdobnou kvalifikací, jinak by mohlo dojít k úrazu – riziko elektrického šoku!

## ČIŠTĚNÍ A ÚDRŽBA

⚠ **VÝSTRAHA:** Než zahájíte jakoukoli údržbovou operaci, ujistěte se, že je spotřebič vypnutý a odpojený od zdroje napájení; nikdy nepoužívejte parní čistič – riziko elektrického šoku.

⚠ Nepoužívejte abrazivní ani agresivní produkty, čisticí prostředky s obsahem chloru ani drátěnky.

⚠ Abyste zabránili poškození elektrického zapalovacího zařízení, nepoužívejte jej, když se hořáky nenacházejí ve svých otvorech.

## LIKVIDACE OBALOVÉHO MATERIÁLU

Obal je ze 100% recyklovatelného materiálu a je označen recyklačním znakem




Jednotlivé části obalového materiálu proto zlikvidujte odpovědně podle platných místních předpisů upravujících nakládání s odpady.

## LIKVIDACE DOMÁCÍCH ELEKTROSPOTŘEBIČŮ

Tento spotřebič byl vyroben z recyklovatelných nebo opakovaně použitelných materiálů. Zlikvidujte jej podle místních předpisů pro likvidaci odpadu. Další informace o likvidaci, renovaci a recyklaci elektrických spotřebičů získáte na místním úřadě, v podniku pro sběr domácího odpadu nebo v obchodě, kde jste spotřebič zakoupili. Tento spotřebič je označen v souladu s evropskou směrnicí 2012/19/EU o odpadních elektrických a elektronických zařízeních (OEEZ) a nařízeními o odpadních elektrických a elektronických zařízeních 2013 (včetně dodatků).

Zajištěním správné likvidace tohoto výrobku pomůžete zabránit negativním vlivům na životní prostředí a lidské zdraví.

Symbol  na výrobku nebo příslušných dokladech udává, že tento výrobek nesmí být likvidován společně s domácím odpadem, nýbrž je nutné jej odevzdat do příslušného sběrného střediska k recyklaci elektrických a elektronických zařízení.

## RADY K ÚŠPOŘE ELEKTRICKÉ ENERGIE

Používejte hrnce a pánve, jejichž velikost odpovídá velikosti varné zóny.

Používejte pouze hrnce a pánve s plochým dnem.

Je-li to možné, nechte nádoby během vaření přikryté pokličkou.

Chcete-li ušetřit maximum času a elektrické energie, používejte tlakový hrnec.

## PROHLÁŠENÍ O SHODĚ

Tento spotřebič splňuje požadavky na ekodesign evropského nařízení 66/2014 a nařízení o ekodesignu výrobků spojených se spotřebou energie a informací o energii (dodatek) (EU Exit) 2019 v souladu s evropskou normou EN 30-2-1.

| Používaný typ plynu           | Typ hořáku             | Označení injektoru | Jmenovitý tepelný tok kW | Jmenovitá spotřeba | Snížená tepelná kapacita kW | Tlak plynu mbar |       |      |
|-------------------------------|------------------------|--------------------|--------------------------|--------------------|-----------------------------|-----------------|-------|------|
|                               |                        |                    |                          |                    |                             | min.            | jmen. | max. |
| ZEMNÍ PLYN (Metan) <b>G20</b> | Střední (SR)           | 97 A               | 1,65                     | 157 l/h            | 0,40                        | 17              | 20    | 25   |
|                               | Doplňkový (AUX)        | 78 A               | 1,00                     | 95 l/h             | 0,40                        |                 |       |      |
|                               | se dvěma prstenci (DC) | 140 H1             | 3,50                     | 333 l/h            | 2,20                        |                 |       |      |
| LPG (Butan) <b>G30</b>        | Střední (SR)           | 66 A               | 1,65                     | 120 g/h            | 0,40                        | 20              | 30    | 35   |
|                               | Doplňkový (AUX)        | 50                 | 1,00                     | 73 g/h             | 0,40                        |                 |       |      |
|                               | se dvěma prstenci (DC) | 91                 | 3,30                     | 240 g/h            | 2,20                        |                 |       |      |
| LPG (Propan) <b>G31</b>       | Střední (SR)           | 66 A               | 1,65                     | 118 g/h            | 0,40                        | 20              | 30    | 35   |
|                               | Doplňkový (AUX)        | 50                 | 1,00                     | 71 g/h             | 0,40                        |                 |       |      |
|                               | se dvěma prstenci (DC) | 91                 | 3,30                     | 236 g/h            | 2,20                        |                 |       |      |

| Používaný typ plynu | Konfigurace modelu 4 HOŘÁKY | Jmenovitý tepelný tok (kW) | Celková jmenovitá spotřeba | Vzduch (m <sup>3</sup> ) nutný ke spálení 1m <sup>3</sup> plynu |
|---------------------|-----------------------------|----------------------------|----------------------------|---|
| <b>G20</b> 20 mbar  | 2SR - 1AUX - 1DC            | 7,80                       | 743 l/h                    | 9,52  |
| <b>G30</b> 30 mbar  | 2SR - 1AUX - 1DC            | 7,60                       | 553 g/h                    | 30,94   |
| <b>G31</b> 30 mbar  | 2SR - 1AUX - 1DC            | 7,60                       | 543 g/h                    | 23,80   |

ELEKTRICKÉ NAPÁJENÍ: 220-240 V ~ 50-60 Hz - 1,1W

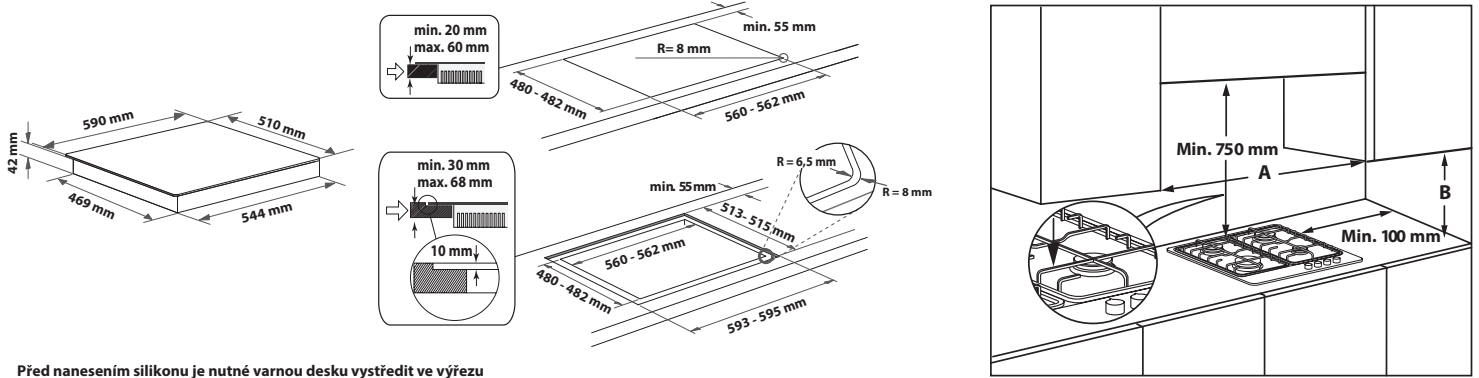


## MONTÁŽ (TŘÍDA 3)

### TECHNICKÉ INFORMACE PRO MONTÉRA

- Při manipulaci s produktem, jeho přípravě a instalaci použijte ochranné rukavice.
- Tento produkt lze zapustit do pracovní desky o tloušťce 20÷60 mm, se standardní instalací. Pro zapuštěnou instalaci 30 ÷ 68.
- Pokud pod varnou deskou není umístěna trouba, vložte pod ni oddělovací panel minimální plochou odpovídající otvoru v pracovní desce. Tento panel musí být umístěn maximální vzdálenosti 150 mm pod horní plochou pracovní desky, ale v žádném případě ne blíže než 20 mm ode dna varné desky. V případě, že máte v úmyslu pod varnou desku umístit troubu, tato trouba musí být vybavena systémem chlazení.

### ROZMĚRY A VZDÁLENOSTI, KTERÉ JE TŘEBA DODRŽET



Před nanesením silikonu je nutné varnou desku vystředit ve výřezu

**POZNÁMKA:** Pokud vzdálenost „A“ mezi stěnami linky činí 600 mm až 730 mm, musí výška „B“ činit minimálně 530 mm. Je-li vzdálenost „A“ mezi stěnami linky větší než šířka varné desky, musí výška „B“ činit minimálně 400 mm. V případě instalace digestoře nad varnou desku vyhledejte vhodnou vzdálenost v pokynech k digestoři.

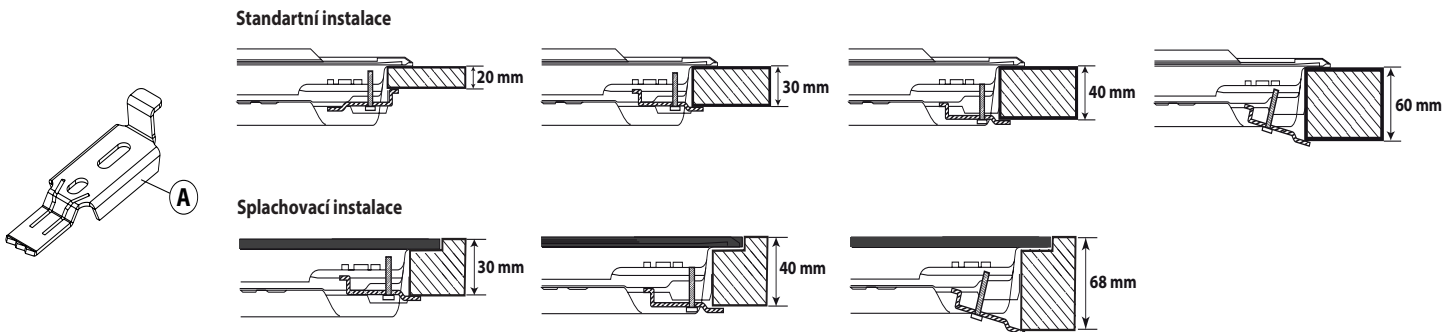
### SESTAVENÍ

Po očištění okrajového povrchu na varnou desku připevněte dodané těsnění dle obrázku.

Umístěte varnou desku do otvoru v pracovní desce, který byl připraven s ohledem na rozměry uvedené v návodu.

**POZNÁMKA:** Přívodní kabel musí být dostatečně dlouhý, aby bylo možné zvednutí spotřebiče.

K zajištění varné desky použijte dodané svorky (A). Vložte svorky do příslušných otvorů označených šipkou a upevněte je pomocí šroubů v závislosti na tloušťce pracovní desky (viz následující obrázky).

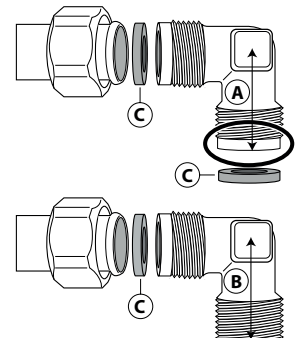


### PŘIPOJENÍ PLYNU

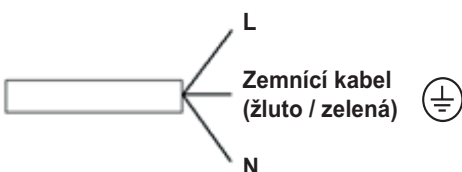
- Připojte dodávané koleno (A)\* nebo (B)\* k hlavní přívodní trubce varné desky a vložte dodanou podložku (C) v souladu s normou EN 549.

\* Ve Francii použijte koleno (A) a ve všech ostatních zemích koleno (B).

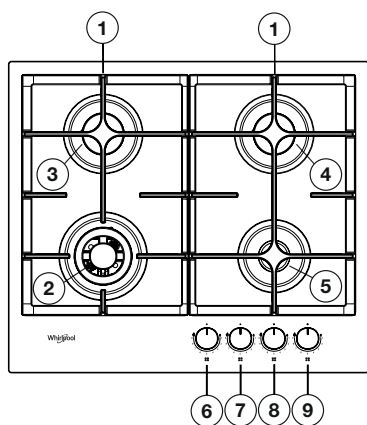
- Po připojení k přívodu plynu zkontrolujte případné netěsnosti pomocí mýdlové vody. Zapalte hořáky a otočením ovladačů od maximální polohy do minimální polohy zkontrolujte stálost plamene.



### ELEKTRICKÉ PŘIPOJENÍ



# POPIS PRODUKTU



1. Odnímatelné mřížky
2. Hořák se dvěma prstenci
3. Střední hořák
4. Střední hořák
5. Doplnkový hořák
6. Ovladač hořáku se dvěma prstenci
7. Ovladač středního hořáku
8. Ovladač středního hořáku
9. Ovladač doplňkového hořáku



## Symboły

- Plné kolečko ● Přívod uzavřen
- Velký plamen 🔥 Maximální otevření/přívod a elektrické zapalování
- Malý plamen 🔥 Minimální otevření nebo snížený přívod

# KAŽDODENNÍ POUŽÍVÁNÍ

## POUŽÍVÁNÍ VARNÉ DESKY

⚠ Plamen hořáku nesmí přesahovat za okraj dna hrnce či pánve.

**DŮLEŽITÉ UPOZORNĚNÍ: při používání varné desky může dojít ke zvýšení teploty v jejím okolí.**

- Pokud chcete zapálit některý z hořáků, otočte příslušný ovladač proti směru hodinových ručiček na největší plamen.
- Přitlačením ovladače k ovládacímu panelu zapalte hořák.
- Po zapálení držte ovladač stisknutý po dobu asi 5–10 sekund, aby hořák nezhasl.
- Tento bezpečnostní prvek hořáků zastaví přívod plynu k hořáku v případě, že plamen nečekaně zhasne (kvůli náhlému průvanu, přerušení dodávky plynu, přetečení vody z hrnce apod.).
- Ovladač by neměl být stisknutý více než 15 sekund. Pokud po uplynutí této doby hořák nezůstane zapálený, počkejte před opakováním pokusu o zapálení alespoň jednu minutu.

**POZNÁMKA: Pokud konkrétní místní podmínky dodávky plynu znesnadňují zapálení hořáku, doporučujeme zopakovat postup s ovladačem nastaveným na malý plamen.**

**Po uvolnění ovladače může hořák zhasnout.** To znamená, že bezpečnostní prvek se dostatečně nezahřál. V takovém případě opakujte výše uvedené postupy. Při náhodném zhasnutí plamene otočte otočný ovladač do polohy odpovídající vypnutí a před opětovným pokusem o jeho zapálení vyčkejte nejméně 1 minutu.

## PRAKTICKÉ RADY PRO POUŽÍVÁNÍ HOŘÁKŮ

Tato varná deska zahrnuje hořáky různých průměrů. Optimální funkci hořáků zajistíte dodržováním následujících pravidel:

- používejte hrnce a pánve s průměrem stejným nebo mírně větším, než je průměr hořáku (viz tabulka vpravo);
- používejte pouze hrnce a pánve s plochým dnem;
- používejte při vaření potravin vhodné množství vody a zakrývejte hrnce pokličkou;
- hrnce či pánve po položení na mřížku nesmí přesahovat přes okraj varné desky;
- chcete-li použít pánve s vypouklým dnem (wok), použijte podpůrnou mřížku (není součástí dodávky) a umístěte ji na hořák se dvěma prstenci;
- zabraňte nárazům hrnců, mřížek nebo jiného kuchyňského nářadí;
- nenechávejte prázdné nádoby na steaky na zapnutém sporáku déle než 5 minut.

**DŮLEŽITÉ UPOZORNĚNÍ: Nevhodné použití mřížek může poškodit varnou desku. Nepokládejte mřížky na varnou desku obráceně ani je po desce neposouvajte.**

| HOŘÁK             | Ø HRNCE        |
|-------------------|----------------|
| se dvěma prstenci | Od 24 do 26 cm |
| Střední           | Od 16 do 22 cm |
| Doplňkový         | Od 8 do 14 cm  |

Nepoužívejte:

- litinové plotny, kameninové desky ani terakotové hrnce a pánve;
- rozptylovače tepla, jako jsou kovové mřížky apod.;
- dva hořáky současně na jednu nádobu (např. hrnec na ryby).

Rozlití tekutiny na horkou varnou desku může způsobit poškození skla.

## PŘÍZPŮSOBNÍ PRO JINÉ TYPY PLYNU

⚠ Tento úkon musí být proveden kvalifikovaným technikem.

Pokud má spotřebič používat jiný druh plynu než ty, které jsou vedeny na typovém štítku a informačním štítku na horní straně varné desky, vyměňte injektory. Odlepte informační štítek a uchovejte jej spolu s příručkou.

**Použijte regulátory tlaku vhodné pro tlak plynu uvedený v pokynech:**

- plynový injektor smí vyměnit pouze servisní středisko nebo kvalifikovaný technik;
- injektor není dodáván spolu se spotřebičem a je nutné jej objednat v servisním středisku;
- upravte nastavení minimálních poloh ovladačů.

**POZNÁMKA: V případě použití LPG (G30/G31) je nutné šroub pro nastavení minimálního průtoku přitáhnout úplně.**

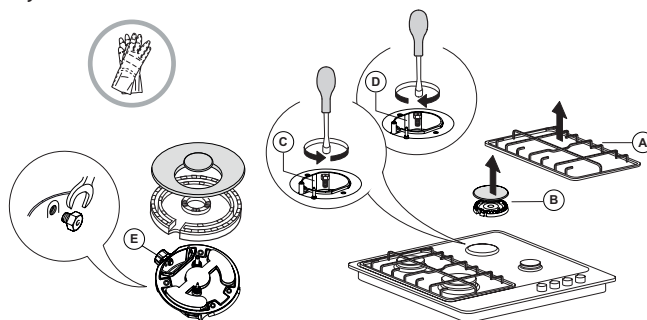
**DŮLEŽITÉ UPOZORNĚNÍ: Pokud máte problém s otáčením některého z ovladačů, kontaktujte servisní středisko, které vám v případě zjištění závady poskytne nový kohout hořáku.**

**DŮLEŽITÉ UPOZORNĚNÍ: V případě použití tlakové lahve musí být tlaková láhev správně usazena (ve svislé poloze).**

## VÝMĚNA INJEKTORŮ (viz tabulka injektorů v Bezpečnostních pokynech)

⚠ Tento úkon musí být proveden kvalifikovaným technikem.

- Sejměte mřížky (A).
- Vyměňte hořáky (B).
- Pomocí nástrčného klíče odpovídající velikosti odšroubujte injektor (C), který chcete vyměnit.
- Nahradte jej injektorem vhodným pro daný typ plynu.
- Znovu složte injektor (D).
- Pokud se jedná o hořák s více prstenci, použijte očkový klíč k výměně injektoru (E).



Před instalací varné desky nezapomeňte připevnit kalibrační štítek dodaný s injektory takovým způsobem, aby zakryl původní informace týkající se kalibrace pro plyn.

## ÚPRAVA NASTAVENÍ MINIMÁLNÍHO PRŮTOKU PLYNU

⚠ Tento úkon musí být proveden kvalifikovaným technikem.

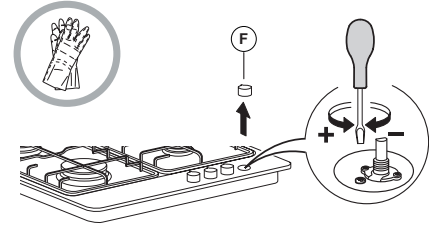
Tuto úpravu je třeba provádět, když je kohout nastaven v poloze minimálního průtoku plynu (malý plamen) ⚡.

Primární přívod vzduchu k hořákům není třeba nastavovat.

Abyste zajistili správné nastavení minimální polohy, sejměte ovladač (F) a pokračujte dle následujícího postupu:

- přitáhnutím šroubu zmenšíte výšku plamene (-);
- uvolněním šroubu zvětšíte výšku plamene (+).

Nyní zapalte hořáky a otočením ovladačů od maximální polohy ⚡ do minimální polohy ⚡ zkontrolujte stálost plamene.



Po dokončení nastavení proveďte utěsnění pomocí pečatního vosku nebo obdobného materiálu.

## VÍCEÚROVŇOVÉ TEPELNÉ ZPRACOVÁNÍ

| ÚROVEŇ | METODA / TYP TEPELNÉ ÚPRAVY (DOPORUČENO PRO) | KUCHAŘSKÉ TIPY   |
|--------|--|--|
| 1–2    | UDRŽOVÁNÍ V TEPLE                            | Ideální pro změknutí másla, jemné rozpouštění čokolády ve vodní lázni, rozmrazování menších porcí, získání krémové konzistence u rizota.   |
|        | ÚPRAVA PŘI MÍRNÉ TEPLOTĚ                     |  |
| 3–4    | POVAŘENÍ / MÍRNÝ VAR                         | Ideální pro recepty vyžadující pozvolné vaření (rýže, omáčky, pečená masa, ryby) v kapalinách (např. vodě, víně, vývaru), rozpouštění másla na těstovinách a udržování mírného varu. |
|        | DUŠENÍ                                       |  |
| 5–6    | PEČENÍ/OPĚKÁNÍ                               | Ideální pro přípravu minutek, dušení zeleniny, při delší době tepelné úpravy, pro předeheřev příslušenství, pro dosažení krémové konzistence.  |
|        | SMAŽENÍ                                      |  |
| 7–8    | SMAŽENÍ ZA STÁLÉHO MÍCHÁNÍ                   | Ideální pro opékání dozlatova, při zahájení tepelné úpravy, pro rychlé přivedení kapalin k varu, smažení hluboce zmrazených výrobků, grilování masa a ryb, udržování prudšího varu.  |
|        | GRILOVÁNÍ                                    |  |
| 9      | RYCHLÉ OHRÁTÍ                                | Ideální pro rychlé zvýšení teploty pokrmu nebo ohřátí kapalin (vody).  |

## ÚDRŽBA A ČIŠTĚNÍ

⚠ Odpojte spotřebič od elektrické sítě.

### ČIŠTĚNÍ POVRCHU VARNÉ DESKY

- Veškeré smaltované a skleněné díly je třeba čistit teplou vodou a neutrálním čisticím roztokem.
- Povrch dílů z nerezové oceli může být poskvřen v případě delšího kontaktu s tvrdou vodou nebo agresivními čisticími prostředky. Případné ulpělé potraviny (voda, omáčka, káva apod.) je třeba otřít dříve, než zaschnou.
- K čištění používejte teplou vodu s neutrálním čisticím prostředkem a k osušení použijte měkkou tkaninu. Připečené nečistoty odstraňujte čisticími prostředky speciálně určenými pro nerezovou ocel.

**POZNÁMKA: Nerezovou ocel čistěte výhradně měkkým hadříkem nebo houbičkou.**

- Nepoužívejte abrazivní ani agresivní produkty, čisticí prostředky s obsahem chloru ani drátěnky.
- Nepoužívejte parní čističe.
- Nepoužívejte hořlaviny.
- Nenechávejte na varné desce kyselé ani zásadité potraviny, jako je například ocet, hořčice, cukr nebo citronová šťáva.

### ČIŠTĚNÍ SOUČÁSTÍ VARNÉ DESKY

- Skleněné a smaltované díly čistěte pouze měkkým hadříkem či houbičkou.
- Mřížky, krytky hořáků a hořáky samotné lze při čištění vyjmout.
- Čistěte je ručně pomocí teplé vody a neabrazivního čisticího prostředku, odstraňte veškeré zbytky potravin a zajistěte, aby žádný z průduchů hořáku nebyl ucpaný.
- Opláchněte a osušte.
- **Litínové rošty lze mýt v myčce nádobí. Před umístěním roštů do nejspodnějšího koše myčky nádobí odstraňte veškeré připáleniny.**
- Vložte hořáky a krytky hořáků patřičným způsobem do odpovídajících otvorů.
- Při pokládání mřížek zajistěte, aby byly oblasti podstavců zarovnané s hořáky.
- Modely vybavené elektrickým zapalováním a bezpečnostním prvkem vyžadují důkladné čištění koncovky zapalování, aby byl zajištěn správný provoz. Tyto součásti pravidelně kontrolujte a v případě potřeby je čistěte vlhkým hadříkem. Jakékoli připečené potraviny je třeba odstranit párátkem nebo jehlou.

**POZNÁMKA: Abyste zabránili poškození elektrického zapalovacího zařízení, nepoužívejte jej, když se hořáky nenacházejí ve svých otvorech.**



## ODSTRAŇOVÁNÍ ZÁVAD

Pokud varná deska nepracuje správně, před kontaktováním servisního střediska se pokuste určit příčinu problému podle následujících pokynů.

### 1. Hořák nelze zapálit nebo je plamen nerovnoměrný

Zkontrolujte, zda:

- dodávka plynu či elektrické energie není přerušena a obzvláště zda není uzavřen kohout přívodu plynu;
- tlaková láhev (se zkapalněným plynem) není prázdná;
- průduchy hořáku nejsou ucpané;
- koncovka elektrické zástrčky není znečištěna;
- všechny součásti hořáku jsou ve správné poloze;
- v blízkosti varné desky není průvan.

### 2. Hořák nezůstane zapálený

Zkontrolujte, zda:

- byl při zapalování hořáku ovladač stisknut dostatečně dlouho, aby došlo k aktivaci bezpečnostního prvku;
- průduchy hořáku nejsou v blízkosti termočlánku ucpané;
- zakončení bezpečnostního prvku není znečištěno;
- minimální průtok plynu je správně nastaven (viz odpovídající odstavec).

### 3. Nádoby nelze správně umístit

Zkontrolujte, zda:

- dno nádoby je zcela ploché;
- nádoba je nad hořákem umístěna na střed;
- mřížky nebyly zaměněny nebo nesprávně umístěny.

Jestliže problém přetrvává i po provedení výše uvedených kroků, kontaktujte nejbližší servisní středisko

## SERVISNÍ STŘEDISKO

Přejete-li si získat plnou podporu, zaregistrujte svůj výrobek na [www.whirlpool.eu/register](http://www.whirlpool.eu/register).

### NEŽ ZAVOLÁTE DO SERVISNÍHO STŘEDISKA POPRODEJNÍCH SLUŽEB:

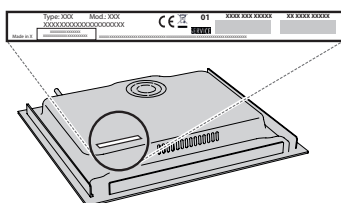
1. Ověřte si, zda nemůžete problém vyřešit sami pomocí doporučení popsanych v oddílu **ODSTRAŇOVÁNÍ ZÁVAD**.
2. Vypněte spotřebič a opět ho zapněte, abyste zjistili, zda porucha stále trvá.

### JESTLIŽE PORUCHA PŘETRVÁVÁ I PO PŘEDENÍ VÝŠE UVEDENÝCH KROKŮ, ZAVOLEJTE DO NEJBLIŽŠÍHO SERVISNÍHO STŘEDISKA.

Pro asistenční služby volejte na číslo uvedené v záruční knížce nebo postupujte podle pokynů na webových stránkách [www.whirlpool.eu](http://www.whirlpool.eu).

Pokud se obracíte na náš zákaznický poprodejní servis, vždy upřesněte:

- stručný popis poruchy;
- přesný typ a model spotřebiče;



- sériové číslo (číslo za slovem SN na typovém štítku umístěném pod spotřebičem). Sériové číslo je také uvedeno v dokumentaci;



Mod. XXX XXX

Ind.C. XXXX XXXX XXXX

Prod.N. 86999XXXXXXXX S.N. XXXX XXXX XXXX

- svou úplnou adresu;
- své telefonní číslo.

Jestliže je nutná oprava, obraťte se na autorizované servisní středisko, abyste měli jistotu, že budou použity originální náhradní díly a oprava bude provedena správně).

Kompletný návod si môžete stiahnuť na <http://docs.whirlpool.eu> alebo zavolajte na telefónne číslo uvedené v záručnej knižke.

⚠ Tieto pokyny platia, ak je na spotrebiči symbol krajiny. Ak na spotrebiči symbol krajiny nie je, je potrebné sa riadiť technickými pokynmi, kde nájdete potrebný návod týkajúci sa úpravy spotrebiča na podmienky krajiny použitia.

⚠ POZOR: Pri používaní plynového sporáka vzniká v miestnosti, kde je inštalovaný, teplo, vlhkosť a produkty spaľovania. Dbajte, aby bola kuchyňa dobre vetraná, najmä keď sa spotrebič používa: nechajte prirodzené vetracie otvory otvorené alebo nainštalujte mechanické vetracie zariadenie (mechanický odsávací digestor). Dlhšie intenzívne používanie spotrebiča môže vyžadovať ďalšie vetranie, napríklad otvorením okna, alebo intenzívnejšie vetranie zvýšením úrovne mechanického vetrania, ak je nainštalované.

⚠ Ak sa nebudete presne riadiť informáciami uvedenými v tejto príručke, môže to spôsobiť požiar alebo výbuch, následkom ktorého dôjde k poškodeniu majetku alebo zraneniu osôb.

Pred použitím spotrebiča si prečítajte tieto bezpečnostné pokyny. Uchovajte ich poruke na budúce použitie.

V týchto pokynoch a na samotnom spotrebiči sú uvedené dôležité upozornenia týkajúce sa bezpečnosti, ktoré treba vždy dodržiavať. Výrobca odmieta zodpovednosť v prípade nedodržania týchto bezpečnostných pokynov, nevhodného používania spotrebiča alebo nesprávneho nastavenia ovládania.

⚠ UPOZORNENIE: Ak je varný panel puknutý, spotrebič nepoužívajte – nebezpečenstvo zásahu elektrickým prúdom.

⚠ UPOZORNENIE: Nebezpečenstvo požiaru: Neskladujte predmety na varných povrchoch.

⚠ UPOZORNENIE: Pri varení musí byť spotrebič pod dohľadom. Pri krátkodobom varení musí byť spotrebič pod nepretržitým dohľadom.

⚠ UPOZORNENIE: Varenie na tuku alebo oleji bez dozoru môže predstavovať nebezpečenstvo a môže mať za následok vznik požiaru. NIKDY sa nepokúšajte uhasiť požiar vodou. Vypnite spotrebič a následne zakryte plameň, napr. pokrievkou alebo hasiacim rúškom.

⚠ Nepoužívajte varnú dosku ako pracovnú alebo odkladaciu plochu. Oblečenie a iné horľavé materiály uchovávajte mimo spotrebiča, kým všetky komponenty úplne nevychladnú – hrozí nebezpečenstvo vzniku požiaru.

⚠ Veľmi malé deti (0 – 3 roky) by sa nemali zdržiavať v okolí spotrebiča. Malé deti (3 – 8 rokov) nepúšťajte k spotrebiču bez dozoru. Deti od 8 rokov a osoby so zníženými fyzickými, zmyslovými a mentálnymi schopnosťami alebo s nedostatkom skúseností a znalostí môžu používať tento

spotrebič len v prípade, ak sú pod dozorom alebo dostali pokyny týkajúce sa používania spotrebiča bezpečným spôsobom a chápu hroziace nebezpečenstvá. Deti sa so spotrebičom nesmú hrať. Čistenie a údržbu nesmú vykonávať deti bez dozoru.

⚠ UPOZORNENIE: V prípade, že sa rozbije sklo na varnej doske, ihneď vypnite všetky horáky a elektrické ohrievacie teleso a spotrebič odpojte od prívodu napätia; nedotýkajte sa povrchu spotrebiča, spotrebič nepoužívajte.

Sklený kryt môže puknúť, keď sa zohreje. Pred zatvorením krytu vypnite všetky horáky a elektrické platničky. Ak sú horáky zapnuté, kryt nezatvárajte.

⚠ UPOZORNENIE: Spotrebič a jeho prístupné časti sa počas používania zahrievajú. Dávajte pozor, aby ste sa nedotkli ohrevných článkov. Nedovoľte, aby sa deti mladšie ako 8 rokov priblížili k rúre, pokiaľ nie sú nepretržite pod dozorom.

### POVOLENÉ POUŽÍVANIE

⚠ UPOZORNENIE: Spotrebič nie je určený na ovládanie externým vypínačom, ako je časovač alebo samostatný systém diaľkového ovládania.

⚠ Tento spotrebič je určený na použitie v domácnosti alebo na podobné účely ako napr.: v oblastiach kuchyniek pre personál v dielňach, kanceláriách a iných pracovných prostrediach; na farmách; pre klientov v hoteloch, moteloch, penziónoch a iných ubytovacích zariadeniach.

⚠ Nie je povolené používať ho na iné účely (napr. vykurovanie miestností).

⚠ Tento spotrebič nie je určený na profesionálne používanie. Spotrebič nepoužívajte vonku.

⚠ Používajte hrnce a panvice s rovnakým priemerom dna, ako je priemer varných zón, alebo o niečo väčším (pozrite špeciálnu tabuľku). Nedovoľte, aby hrnce na mriežkach presahovali cez okraj varnej dosky.

⚠ Nevhodné používanie mriežky môže zapríčiniť poškodenie platne sporáka: nekladte preto mriežku opačne, ani ju neposuvajte po ploche platne.

Nedovoľte, aby plameň horáka presahoval cez okraj panvice.

Ak je povrch varného panela zo skleneného materiálu, nepoužívajte liatinové rošty, keramické kamene, terakotové hrnce či panvice.

Neodporúčame Vám používať: Rozptylovače plameňa vo forme kovovej mriežky alebo iné. Použitie dvoch horákov súčasne pre jednu oválnu nádobu (napr. na prípravu ryby).

Ak by sa horák následkom špecifických podmienok pri miestnej dodávke plynu ťažko zapaloval, odporúčame vám zopakovať uvedený postup s gombíkom otočeným do polohy malého plameňa.

V prípade inštalácie digestora nad varnú plochu, prosím, dodržiavajte pokyny o správnych vzdialenostiach.

Ochranné gumené nožičky na snímateľnej mriežke predstavujú nebezpečenstvo pre malé deti. Po odložení mriežky dbajte, aby boli všetky nožičky správne nasadené.

### INŠTALÁCIA

⚠ So spotrebičom musia manipulovať a inštalovať ho minimálne dve osoby – riziko zranenia. Pri vybalovaní a inštalovaní používajte ochranné rukavice – nebezpečenstvo porezania.

⚠ Elektrické a plynové prípojky musia vyhovovať miestnym predpisom.

⚠ Inštaláciu, vrátane prívodu vody (ak je) a elektrického zapojenia a taktiež opravy musí vykonávať kvalifikovaný

technik. Nikdy neopravujte ani nevymieňajte žiadnu časť spotrebiča, ak to nie je uvedené v návode na používanie. Nepúšťajte deti k miestu inštalácie. Po vybalení spotrebiča sa uistite, že sa počas prepravy nepoškodil. V prípade problémov sa obráťte na predajcu alebo popredajný servis. Po inštalácii treba odpad z balenia (plasty, kusy polystyrénu a pod.) uložiť mimo dosahu detí – nebezpečenstvo udusenía. Pred vykonávaním inštalčných prác musíte spotrebič odpojiť od elektrického napájania – nebezpečenstvo zásahu elektrickým prúdom. Počas inštalácie dávajte pozor, aby ste spotrebičom nepoškodili napájací kábel – nebezpečenstvo požiaru alebo zásahu elektrickým prúdom. Spotrebič zapnite až po úplnom dokončení inštalácie.

⚠ **UPOZORNENIE:** Úprava spotrebiča a spôsob jeho inštalácie sú základom bezpečného a správneho používania vo všetkých ďalších krajinách.

⚠ Použite regulátory tlaku vhodné pre tlak plynu uvedený v Pokynoch.

⚠ Miestnosť musí byť vybavená systémom odsávania vzduchu, ktorý odstráni všetky spaliny. Ten môže pozostávať z digestora alebo elektrického ventilátora, ktorý sa spustí automaticky zakaždým, keď sa zapne spotrebič.

⚠ Miestnosť musí umožňovať riadnu cirkuláciu vzduchu, pretože vzduch je potrebný pre normálne spaľovanie. Prúdenie vzduchu musí byť minimálne 2 m<sup>3</sup>/h na kW inštalovaného výkonu.

⚠ Systém cirkulácie vzduchu môže nasávať vzduch priamo zvonka cez potrubie s prierezom minimálne 100 cm<sup>2</sup>; otvor nesmie byť ohrozený žiadnym typom upchatia.

⚠ Systém môže zabezpečovať vzduch potrebný na spaľovanie aj nepriamo, t.j. zo susedných miestností vybavených potrubím na cirkuláciu vzduchu, ako je opísané vyššie. Tieto miestnosti však nesmú byť spoločenské miestnosti, spálne alebo miestnosti, ktoré môžu predstavovať riziko požiaru.

⚠ Skvapalnený plyn klesne k podlahe, pretože je ťažší ako vzduch. Preto aj miestnosti, kde sa nachádzajú fľaše s LPG, musia byť vybavené vetracími otvormi, aby v prípade netesnosti mohol plyn uniknúť. V dôsledku toho fľaše s LPG, čiastočne alebo úplne plné, sa nesmú inštalovať ani skladovať v miestnostiach alebo skladoch, ktoré sú pod zemou (pivnice a pod.). Odporúča sa uchovávať v miestnosti iba fľašu, ktorá sa používa, a umiestniť ju tak, aby nebola vystavená teplu z vonkajších zdrojov (pece, kozuby, sporáky a pod.), ktoré by mohli zvýšiť teplotu fľaše nad 50 °C.

Ak by ste mali ťažkosti s otočením gombíkov horákov, prosím, kontaktujte pracovníkov servisu, aby ventil horáka vymenili, ak je chybný.

Otvory slúžiace na vetranie a rozptýlenie tepla nesmú byť nikdy prikryté.

⚠ Pred vsadením spotrebiča do nábytkového príslušenstva urobte všetky potrebné výrezy a odstráňte drevené odrezky a piliny.

⚠ Ak spotrebič nie je inštalovaný nad rúrou, je potrebné do priehradky pod spotrebičom nainštalovať oddelovací panel (nie je priložený).

## PLYNOVÁ PRÍPOJKA

⚠ **UPOZORNENIE:** Pred inštaláciou zabezpečte, aby boli podmienky miestnej rozvodnej siete (charakter a tlak plynu) kompatibilné s nastavením spotrebiča.

⚠ Skontrolujte, či tlak dodávaného plynu vyhovuje hodnotám uvedeným v tabuľke "Špecifikácie horáka a dýzy".

⚠ **UPOZORNENIE:** Podmienky nastavenia tohto spotrebiča sú uvedené na nálepke (alebo štítku s údajmi).

⚠ **UPOZORNENIE:** Tento spotrebič nie je pripojený k zariadeniu na odvod spalín. Musí byť nainštalovaný a pripojený v súlade s platnými pravidlami na inštaláciu. Mimoriadnu pozornosť venujte príslušným požiadavkám na vetranie.

⚠ Ak je spotrebič pripojený na skvapalnený plyn, regulačná skrutka musí byť utiahnutá čo najviac.

⚠ **DÔLEŽITÉ:** Ak sa používa tlaková plynová nádoba, tlaková plynová nádoba alebo plynový zásobník musia byť správne osadené (vertikálne smerovanie).

⚠ **UPOZORNENIE:** Túto operáciu musí vykonať kvalifikovaný technik.

⚠ Pri príprave plynovej prípojky použite ohybnú alebo neohybnú kovovú rúrku.

⚠ Pripojenie s neohybnou rúrou (medenou alebo ocelovou) Pripojenie na plynovú sústavu musí byť urobené tak, aby na spotrebič nebol vynakladaný žiaden tlak. Na prírodnej rampe spotrebiča je nastaviteľná potrubná kolenová tvarovka vybavená tesnením, aby sa zabránilo úniku. Po otáčaní potrubnej tvarovky treba tesnenie vždy vymeniť (tesnenie sa dodáva so spotrebičom). Potrubná tvarovka pre prívod plynu má vonkajší 1/2-palcový závit.

⚠ Pripojenie ohybného potrubia z nehrdzavejúcej ocele bez spojov k závitovej prípojke Potrubná tvarovka pre prívod plynu má vonkajší 1/2-palcový závit. Potrubia musia byť nainštalované tak, aby pri úplnom natiahnutí nepresahovali 2 000 mm. Po pripojení sa ubezpečte, že ohybnékovové potrubie sa nedotýka žiadnych pohyblivých častí a nie je stlačené. Používajte iba potrubia a tesnenia, ktoré sú v súlade s vnútroštátnymi predpismi.

⚠ **DÔLEŽITÉ UPOZORNENIE:** Ak je použitá antikorová rúrka, musí byť nainštalovaná tak, aby sa nedotýkala žiadnej pohyblivej časti nábytku (napr. zásuvky). Musí prechádzať oblasťou, kde nie sú žiadne prekážky a kde je možné skontrolovať ju po celej jej dĺžke.

⚠ Spotrebič by mal byť pripojený k zdroju dodávky plynu alebo plynovej fľaši v súlade s aktuálnymi vnútroštátnymi predpismi. Pred pripojením sa presvedčte, či je spotrebič kompatibilný s prívodom plynu, ktorý chcete použiť. Ak nie je, postupujte podľa pokynov uvedených v odseku „Prispôsobenie iným typom plynu“.

⚠ Po pripojení k prívodu plynu vykonajte kontrolu úniku použitím mydlovej vody. Zapáľte horáky a otočte kohútiky z maximálnej polohy 1\* do minimálnej polohy 2\*, aby ste skontrolovali stabilitu plameňa.

## PRISPÔBENIE INÝM TYPOM PLYNU

(Túto činnosť musí vykonávať kvalifikovaný technik).

⚠ Aby ste prispôbili spotrebič inému typu plynu, než je ten, pre ktorý bol vyrobený (uvedený na typovom štítku), postupujte podľa krokov uvedených po inštalračných nákresoch.

## VAROVANIA PRE POUŽÍVANIE ELEKTRICKÉHO ZARIADENIA

⚠ **DÔLEŽITÉ:** Informácie o spotrebe prúdu a napätia sú uvedené na typovom štítku.

⚠ Spotrebič sa musí dať odpojiť od napájania buď vytiahnutím zástrčky, pokiaľ je ľahko dostupná, alebo prostredníctvom prístupného viacpólového prepínača nainštalovaného pred zásuvkou podľa predpisov pre domovú elektroinštaláciu, pričom musí byť spotrebič uzemnený v súlade s národnými bezpečnostnými normami pre elektrotechniku.

⚠ Prívodný elektrický kábel musí byť dostatočne dlhý, aby sa spotrebič, zabudovaný do kuchynskej linky, dal zapojiť do elektrickej siete. Neťahajte za napájací elektrický kábel.

⚠ Nepoužívajte predlžovacie káble, rozdvojky ani adaptéry. Po inštalácii spotrebiča nesmú byť jeho elektrické časti prístupné používateľom. Nepoužívajte spotrebič, ak ste mokří alebo bosí. Spotrebič neuvádzajte do činnosti, ak je poškodený napájací kábel alebo zástrčka, ak nepracuje správne, ak je poškodený alebo ak spadol.

⚠ Ak je poškodený napájací elektrický kábel, musí ho výrobca, jeho autorizovaný servis alebo podobne kvalifikovaná osoba vymeniť za identický, aby sa predišlo nebezpečenstvu zásahu elektrickým prúdom.


## ČISTENIE A ÚDRŽBA

⚠ **UPOZORNENIE:** Pred vykonávaním údržby dbajte, aby bol spotrebič vypnutý alebo odpojený od elektrického napájania; nikdy nepoužívajte zariadenie na čistenie parou – nebezpečenstvo zásahu elektrickým prúdom.

⚠ Nepoužívajte abrazívne alebo korozívne prostriedky, čističe s obsahom chlóru alebo drôtenky na panvice.

⚠ Aby ste predišli poškodeniu zariadenia elektrického zapalovania, nepoužívajte ho, keď horáky nie sú na svojich miestach.


## LIKVIDÁCIA OBALOVÝCH MATERIÁLOV

Obalové materiály sa môžu na 100 % recyklovať a sú označené symbolom recyklácie .

Rôzne časti obalu likvidujte zodpovedne, v plnom súlade s platnými miestnymi predpismi o likvidácii odpadov.

## LIKVIDÁCIA DOMÁCIH SPOTREBIČOV

Tento spotrebič je vyrobený z recyklovateľných a znovu použiteľných materiálov. Zlikvidujte ho v súlade s miestnymi predpismi o likvidácii odpadov. Podrobnejšie informácie o zaobchádzaní, obnove a recyklácii domácich spotrebičov dostanete na príslušnom miestnom úrade, v zberných strediskách alebo v obchode, kde ste spotrebič kúpili. Tento spotrebič je označený v súlade so smernicou Európskeho parlamentu a Rady 2012/19/EÚ o odpade z elektrických a elektronických zariadení (OEEZ) a s predpismi o odpade z elektrických a elektronických zariadení z r. 2013 (v platnom znení). Zabezpečením správnej likvidácie výrobku pomôžete predchádzať potenciálnym negatívnym dopadom na životné prostredie a ľudské zdravie.

Symbol  na spotrebiči alebo na sprievodných dokumentoch znamená, že s týmto výrobkom sa nesmie zaobchádzať ako s domácim odpadom, ale je potrebné odovzdať ho v zbernom dvore pre elektrické a elektronické zariadenia.

## RADY NA ÚSPORU ELEKTRICKEJ ENERGIE

Používajte hrnce a panvice, ktorých spodný priemer je rovnaký ako priemer varnej zóny.

Používajte iba panvice a hrnce s rovným dnom.

Ak je to možné, prikryte hrnce počas varenia pokrievkami.

Používajte tlakový hrniec kvôli ešte väčšej úspore energie a času.

## VYHLÁSENIE O ZHODE

Tento spotrebič spĺňa požiadavky nariadenia Komisie (EÚ) 66/2014 na ekodizajn a predpisy z roku 2019 o ekodizajne energeticky významných výrobkov a energetických informáciách (dodatok) (výstup z EÚ) v súlade s európskou normou EN 30-2-1.



| Druh používaného plynu                     | Typ horáka              | Značka vstrekovace dýzy | Menovitý tepelný výkon kW | Menovitá spotreba | Znížená tepelná kapacita kW | Tlak plynu mbar |      |      |
|--|-------------------------|-------------------------|---------------------------|-------------------|-----------------------------|-----------------|------|------|
|  |                         |                         |                           |                   |                             | min.            | rat. | max. |
| ZEMNÝ PLYN (Metán) <b>G20</b>              | Stredne rýchly (SR)     | 97 A                    | 1,65                      | 157 l/h           | 0,40                        | 17              | 20   | 25   |
|  | Pomocný (AUX)           | 78 A                    | 1,00                      | 95 l/h            | 0,40                        |                 |      |      |
|  | s dvoma prstencami (DC) | 140 H1                  | 3,50                      | 333 l/h           | 2,20                        |                 |      |      |
| SKVAPALNENÝ ROPNÝ PLYN (Bután) <b>G30</b>  | Stredne rýchly (SR)     | 66 A                    | 1,65                      | 120 g/h           | 0,40                        | 20              | 30   | 35   |
|  | Pomocný (AUX)           | 50                      | 1,00                      | 73 g/h            | 0,40                        |                 |      |      |
|  | s dvoma prstencami (DC) | 91                      | 3,30                      | 240 g/h           | 2,20                        |                 |      |      |
| SKVAPALNENÝ ROPNÝ PLYN (Propán) <b>G31</b> | Stredne rýchly (SR)     | 66 A                    | 1,65                      | 118 g/h           | 0,40                        | 20              | 30   | 35   |
|  | Pomocný (AUX)           | 50                      | 1,00                      | 71 g/h            | 0,40                        |                 |      |      |
|  | s dvoma prstencami (DC) | 91                      | 3,30                      | 236 g/h           | 2,20                        |                 |      |      |

| Druh používaného plynu | Konfigurácia modelu 4 HORÁKY | Menovitý tepelný príkon (kW) | Celková menovitá spotreba | Objem vzduchu (m <sup>3</sup> ) potrebný na spálenie 1m <sup>3</sup> plynu |
|------------------------|------------------------------|------------------------------|---------------------------|--|
| <b>G20</b> 20 mbar     | 2SR - 1AUX - 1DC             | 7,80                         | 743 l/h                   | 9,52   |
| <b>G30</b> 30 mbar     | 2SR - 1AUX - 1DC             | 7,60                         | 553 g/h                   | 30,94  |
| <b>G31</b> 30 mbar     | 2SR - 1AUX - 1DC             | 7,60                         | 543 g/h                   | 23,80  |

ELEKTRICKÉ NAPÁJANIE: 220-240 V ~ 50-60 Hz - 1,1W

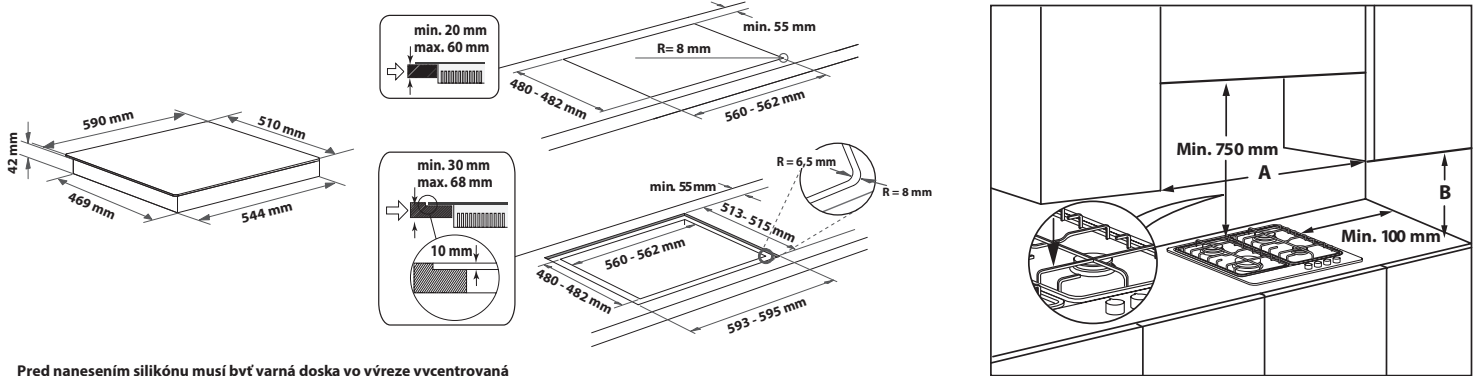


## INŠTALÁCIA (TRIEDA 3)

### TECHNICKÉ INFORMÁCIE PRE TECHNIKA VYKONÁVAJÚCEHO INŠTALÁCIU

- Pri manipulácii, príprave a inštalácii produktu používajte ochranné rukavice.
- Táto varná doska môže byť zasadená do pracovnej dosky s hrúbkou 20 až 60 mm, so štandardnou inštaláciou. Pre zapustenú montáž 30 ± 68.
- Ak pod varnou doskou nie je rúra, namontujte oddeľovací panel s minimálne rovnakou plochou ako je plocha otvoru v pracovnej ploche. Tento panel musí byť umiestnený v maximálnej vzdialenosti 150 mm pod horným povrchom pracovnej plochy, ale nikdy nie menej ako 20 mm od dna varnej dosky. V prípade, že chcete pod varnú dosku umiestniť rúru, musí byť táto rúra vybavená systémom chladenia.

### ROZMERY A VZDIALENOSTI, KTORÉ TREBA DODRŽIAVAŤ



Pred nanesením silikónu musí byť varná doska vo výreze vycentrovaná

**POZNÁMKA:** ak je vzdialenosť „A“ medzi nástennými skrinkami 600 mm až 730 mm, výška „B“ musí byť minimálne 530 mm. Ak je vzdialenosť „A“ medzi nástennými skrinkami väčšia ako šírka varnej dosky, výška „B“ musí byť minimálne 400 mm. V prípade inštalácie odsávača pár nad varnú plochu dodržiavajte pri inštalácii pokyny k odsávaču o správnych vzdialenostiach.

### MONTÁŽ

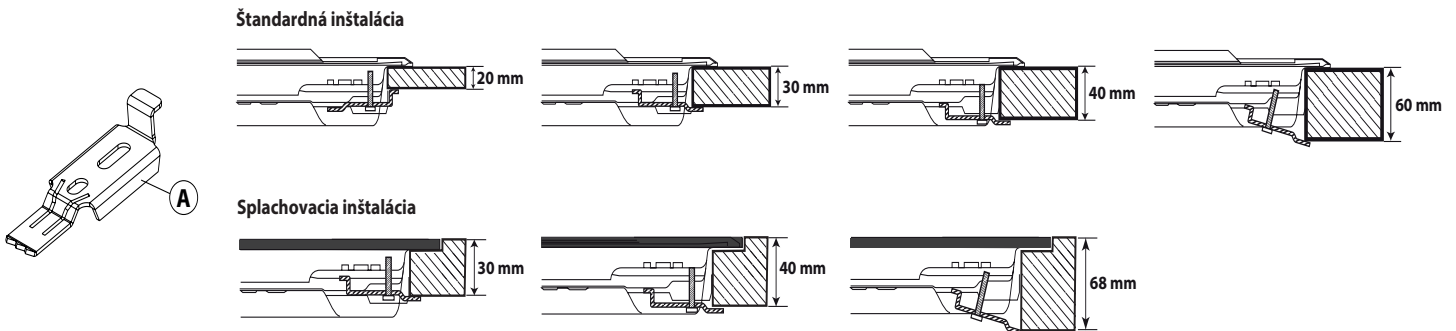
Po vyčistení povrchu obvodu namontujte dodávané tesnenie, ako je zobrazené na obrázku.

Umiestnite varnú dosku v otvore pracovnej plochy, pričom dodržiavajte rozmery uvedené v pokynoch.

**POZNÁMKA:** privodný elektrický kábel musí mať dostatočnú dĺžku, aby bolo možné, aj po zapojení, varnú dosku vybrať z pracovnej plochy.



Na upevnenie varnej dosky použite konzoly (A) dodané s varnou doskou. Upevnite konzoly v príslušných otvoroch zobrazených šípkou a upevnite ich prostredníctvom skrutiek, v závislosti od hrúbky pracovnej dosky (pozrite si nasledujúce obrázky).

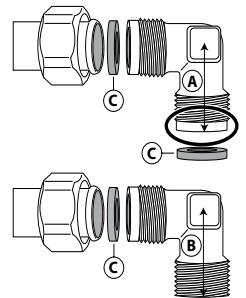


### PLYNOVÁ PRÍPOJKA

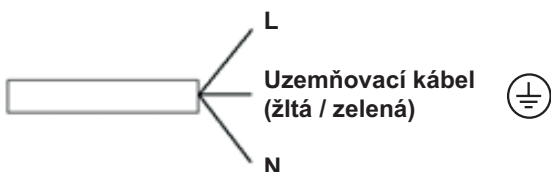
- Zapojte dodaný ohyb (A)\* alebo (B)\* ku prípojke varnej dosky, pričom vložte aj dodané tesnenie (C), v súlade s normou EN 549.

\* Ohyb (A) použite vo Francúzsku a ohyb (B) v ostatných krajinách.

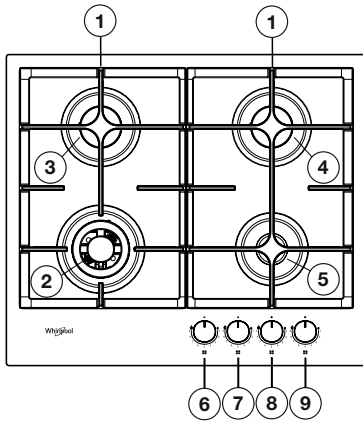
- Po pripojení k privodu plynu vykonajte kontrolu úniku použitím mydlovej vody. Zapáľte horáky a otočte kohútiky z maximálnej polohy do minimálnej polohy by ste skontrolovali stabilitu plameňa.



### ELEKTRICKÉ PRIPOJENIE





# OPIS SPOTREBIČA



1. Snímateľná mriežka
2. Horák s dvoma prstencami
3. Stredný horák
4. Stredný horák
5. Pomocný horák
6. Ovládací gombík horáka s dvoma prstencami
7. Ovládací gombík stredného horáka
8. Ovládací gombík stredného horáka
9. Ovládací gombík pomocného horáka

## Symoly

- Plný krúžok ● Kohútik je zatvorený
- Veľký plameň  Maximálne otvorenie alebo výkon/elektrické zapálenie
- Malý plameň  Minimálne otvorenie alebo znížený prívod plynu

# KAŽDODENNÉ POUŽÍVANIE

## AKO POUŽÍVAŤ VARNÚ DOSKU

 Nedovoľte, aby plameň horáka presahoval cez okraj panvice.

**DÔLEŽITÉ UPOZORNENIE:** počas používania varnej dosky sa môže rozohriať celý jej povrch.

- aby ste zapálili horáky, otočte príslušné ovládacie gombíky smerom vľavo do polohy maximálneho plameňa.
- Zatláčajte gombík proti ovládaciemu panelu, aby ste horák zapálili.
- Po zapálení horáka podržte gombík stlačený ešte približne 5–10 sekúnd, aby sa zabezpečila činnosť poistky.
- Táto poistka zastaví unikanie plynu v prípade náhodného zhasnutia plameňa horáka (prievan, momentálne prerušenie dodávky plynu, vykypenie tekutiny na horák atď.).
- **Gombík nesmie ostať stlačený dlhšie ako 15 sekúnd. Ak po uplynutí tejto doby horák neostane horieť, počkajte aspoň jednu minútu, až potom sa pokúste horák znovu zapáliť.**

**POZNÁMKA:** ak by sa horák následkom špecifických podmienok pri miestnej dodávke plynu ťažko zapaloval, odporúčame vám zopakovať uvedený postup s gombíkom otočeným do polohy malého plameňa.

**Horák môže zhasnúť po pustení gombíka.** Znamená to, že termoelektrický článok sa nezahrial dostatočne. V tomto prípade zopakujte úkony opísané vyššie. Pri náhodnom zhasnutí plameňa otočte otočný ovládač do polohy odpovedajúcej vypnutiu a pred opätovným pokusom o jeho zapálenie vyčkajte najmenej 1 minútu.

## PRAKTICKÉ RADY PRI POUŽÍVANÍ HORÁKOV

Táto varná doska je vybavená horákmi s rôznymi priermi. Na zvýšenie výkonnosti horákov dodržiavajte nasledujúce pravidlá:

- používajte hrnce a panvice s rovnakým priemerom dna, ako je priemer varných zón, alebo o niečo väčším (pozrite tabuľku vpravo);
- používajte iba panvice a hrnce s rovným dnom;
- používajte správne množstvo vody na varenie a na hrncoch používajte pokrievky;
- nedovoľte, aby hrnce na mriežkach presahovali cez okraj varnej dosky;
- v prípade panvíc s vypuklým dnom (wok) použite podpornú mriežku (nie je súčasťou dodávky), ktorú však možno umiestniť iba na viackruhový horák;
- zabráňte nárazom hrncov, mriežok alebo iného kuchynského náradia,
- nenechávajte prázdne nádoby na zapnutom sporáku dlhšie ako 5 minút.

**DÔLEŽITÉ UPOZORNENIE:** Nevhodné používanie mriežky môže zapríčiniť poškodenie platne sporáka: nekladte preto mriežku opačne, ani ju neposúvajte po ploche platne.

| HORÁK                   | Ø NÁDOBY    |
|-------------------------|-------------|
| s dvoma prstencami (DC) | 24 až 26 cm |
| Stredne rýchly          | 16 až 22 cm |
| Pomocný                 | 8 až 14 cm  |

Neodporúčame Vám používať:

- Liatinové panvice, kameninové nádoby, hlinené kastróly alebo keramické hrnce.
- Rozptyľovače plameňa vo forme kovovej mriežky alebo iné.
- Použitie dvoch horákov súčasne pre jednu oválnu nádobu (napr. na prípravu ryby).

Razlita tekočina na vroćem kuhališču lahko poškoduje steklo.

## REGULÁCIA PRE ODLIŠNÉ DRUHY PLYNU

 Tento úkon musí vykonať vyškolený technik.

Ak má byť spotrebič napájaný iným plynom ako je uvedené na štítku s technickými údajmi a na informačnej nálepke umiestnenej na varnej doske, vymeňte dýzy. Odlepte informačnú nálepku a nalepte ju do návodu na použitie.

**Použite regulátory tlaku vhodné pre tlak plynu uvedený v Pokynoch:**

- Plynový vstrekovač musia vymeniť v popredajovom servise alebo to musí vykonať kvalifikovaný technik er;
- Vstrekovač sa nedodáva so spotrebičom, musíte ho objednať prostredníctvom popredajového servisu;
- Upravte minimálne nastavenie kohútov.

**POZNÁMKA:** pri používaní skvapalneného ropného plynu (G30/G31), musí byť skrutka minimálneho nastavenia plynu čo najviac zatiahnutá.

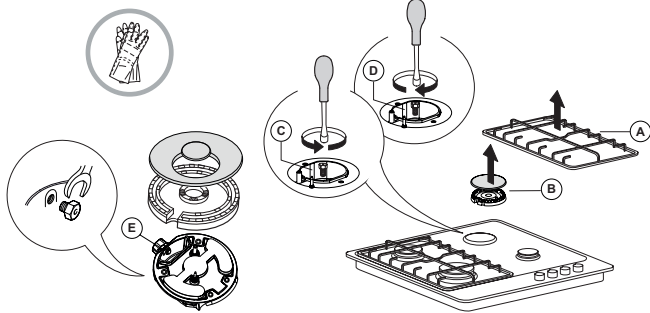
**DÔLEŽITÉ UPOZORNENIE:** ak by ste mali ťažkosti s otočením gombíkov horákov, prosím, kontaktujte pracovníkov servisu, aby ventil horáka vymenili, ak je chybný.

**DÔLEŽITÉ UPOZORNENIE:** ak sa používa tlaková plynová nádoba, tlaková plynová nádoba alebo plynový zásobník musia byť správne osadené (vertikálne smerovanie).

## VÝMENA DÝZ (pozrite tabuľku dýz v Bezpečnostných pokynoch)

⚠ Tento úkon musí vykonať vyškolený technik.

- Odstráňte mriežky (A).
- Vyberte horáky (B).
- Použitím nástrčného kľúča vhodnej veľkosti odskrutkujte dýzu (C), ktorú treba vymeniť.
- Nahradte vhodnou dýzou pre nový druh plynu.
- Znovu namontujte dýzu v (D).
- Ak máte horák so zložitou korunkou, použite pri výmene dýzy bočný objímkový kľúč (E).



Pred inštaláciou varnej dosky nezabudnite pripevniť štítok s kalibráciou plynu, ktorý sa dodáva s dýzami tak, aby zakryl existujúce informácie týkajúce sa kalibrácie plynu.

## UPRAVENIE MINIMÁLNEHO NASTAVENIA PLYNOVÝCH KOHÚTOV

⚠ Tento úkon musí vykonať vyškolený technik.

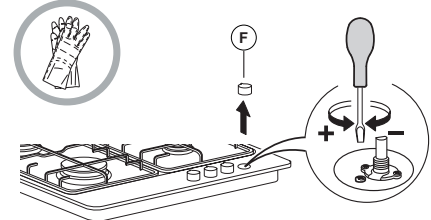
Reguláciu musíte vykonať s kohútom v polohe minimálneho nastavenia (malý plameň) ⚡.

Primárny vzduch horákov nemusíte nastavovať.

Aby ste zabezpečili správne minimálne nastavenie, odstráňte gombík (F) a postupujte ďalej takto:

- utiahnite skrutku, aby ste znížili výšku plameňa (-);
- uvoľnite skrutku, aby ste výšku plameňa zvýšili (+).

V tomto kroku zapáľte horáky a otočte gombíky z maximálnej polohy na minimálnu polohu ⚡, aby ste skontrolovali stabilitu plameňa.



Pred ukončením nastavenia znovu utesnite, použite tesniaci vosk alebo iný vhodný materiál.

## VIACÚROVŇOVÝ PLAMEŇ

| ÚROVEŇ | SPÔSOB/TYP VARENIA (ODPORÚČANÉ PRE) | NIEKOĽKO RÁD PRI VARENÍ   |
|--------|-------------------------------------|---|
| 1 – 2  | UDRŽIAVANIE TEPLoty JEDLA           | Ideálne na zmäkčovanie masla, jemné rozpúšťanie čokolády vo vodnom kúpeli, roztápanie malých porcií, príprava rizota.   |
|        | JEMNÉ VARENIE                       |   |
| 3 – 4  | SLABÉ VRENIE                        | Ideálne pre recepty s pomalým varením (ryža, omáčky, pečené mäso, ryby) s tekutinami (napr. voda, víno, vývar) a na varenie cestovín v mlieku, udržiavanie v slabom vare. |
|        | DUSENIE                             |   |
| 5 – 6  | PRAŽENIE                            | Ideálne na rýchle o praženie, dusenie zeleniny, varenie dlhšiu dobu, predhrievanie nádob, varenie, až má jedlo krémovú konzistenciu.                                      |
|        | VYPRAŽANIE                          |   |
| 7 – 8  | SMAŽENIE S MIEŠANÍM                 | Ideálne na o praženie dohned, začiatok varenia, rýchle zovretie tekutín, vysmážanie hlboko zmrazených jedál, grilovanie mäsa a rýb, udržiavanie silného varu.             |
|        | GRILOVANIE                          |   |
| 9      | RÝCHLY OHREV                        | Ideálne na rýchle zvýšenie teploty jedla alebo na zohrievanie tekutín (vody).   |

## ÚDRŽBA A ČISTENIE

⚠ Odpojte prístroj od elektrického napájania.

### ČISTENIE POVRCHU VARNEJ DOSKY

- Všetky smaltované a sklenené časti sa musia čistiť teplou vodou s prídavkom neutrálneho čistiaceho prostriedku.
- Na antikorových povrchoch môžu ostať škvrny vodného kameňa alebo škvrny po dlhodobom pôsobení agresívneho čistiaceho prostriedku. Ak niečo vykypelo (voda, omáčka, káva a pod.), odstráňte zvyšky ešte predtým, ako sa priskvaria.
- Povrch čistíte teplou vodou a neutrálnym čistiacim prostriedkom, potom osušte mäkkou handrou alebo jelenicou. Zapečené škvrny odstráňte špeciálnym čističom na antikorové povrchy.

**POZNÁMKA: antikorový povrch čistíte výhradne mäkkou handrou alebo špongiou.**

- Nepoužívajte abrazívne alebo korozívne prostriedky, čističe s obsahom chlóru alebo drôtenky na panvice.
- Nepoužívajte spotrebiče využívajúce na čistenie paru.
- Nepoužívajte horľavé výrobky.
- Nenechajte na varnej doske pôsobiť kyselinu alebo alkalické látky, ako ocot, horčicu, soľ, cukor alebo citrónovú šťavu.

### ČISTENIE DIELCOV VARNEJ DOSKY

- Sklo a smaltované diely čistíte výlučne jemnou handričkou alebo špongiou.
- Mriežky, viečka horákov a horáky môžete pred čistením vybrať.
- Umývajte ich ručne v teplej vode a neabrazívnym čistiacim prostriedkom, pozorne odstráňte všetky zvyšky jedál a skontrolujte, či nie sú upchaté otvory horáka.
- Opláchnite a pozorne osušte.
- **Liatinové rošty možno umývať v umývačke riadu. Pred umiestnením roštov do najspodnejšieho koša umývačky riadu odstráňte všetky pripáleniny.**
- Horáky a viečka horákov vráťte na miesta.
- Pri umiestňovaní mriežok dávajte pozor, aby oblasť polohy hrncov bola zarovnaná s horákmi.
- Modely vybavené elektrickým zapalovaním a bezpečnostnou poistkou vyžadujú dokonalé očistenie zapalovania, aby bola zabezpečená ich správna činnosť. Kontrolujte tieto prvky často a podľa potreby ich čistite vlhkou handričkou. Akékoľvek zapečené zvyšky jedál treba odstrániť špáradlom alebo ihlou.

**POZNÁMKA: aby ste predišli poškodeniu zariadenia elektrického zapalovania, nepoužívajte ho, keď horáky nie sú na svojich miestach.**



## RIEŠENIE PROBLÉMOV

Ak by varná doska nefungovala správne, predtým, ako zavoláte servis, skúste problém vyriešiť pomocou príručky na odstraňovanie problémov.

### 1. Ak sa horák nedá zapáliť alebo plameň nie je rovnomerný

Skontrolujte, či:

- Dodávka plynu alebo elektriny nie je prerušená a hlavne, či je otvorený kohút plynovej prípojky.
- Je prázdna tlaková plynová nádoba (kvapalný plyn).
- Otvory horáka nie sú upchaté.
- Koncovka zapaľovania nie je špinavá.
- Všetky časti horáka sú umiestnené na svojich miestach.
- V blízkosti varnej dosky nie je prievan.

### 2. Horák prestane horieť.

Skontrolujte, či:

- Pri zapálení horáka bol gombík stlačený dosť dlho na to, aby sa aktivovalo ochranné zariadenie.
- Otvory horáka v blízkosti termoelektrického článku nie sú upchaté.
- Koncovka bezpečnostnej poistky nie je špinavá.
- Minimálne nastavenie horáka je správne (pozrite príslušnú časť).

### 3. Nádoby nie sú stabilné.

Skontrolujte, či:

- Dno nádoby je úplne ploché.
- Nádoba je v strede horáka.
- Mriežky nie sú zamenené alebo nesprávne umiestnené.

Ak po horeuvedených kontrolách porucha pretrváva, zavolajte najbližšie servisné stredisko

## PO-PREDAJNÝ SERVIS

Aby sme vám mohli lepšie poskytovať pomoc, zaregistrujte, prosím, svoj spotrebič na [www.whirlpool.eu/register](http://www.whirlpool.eu/register).

### PREDTÝM, NEŽ ZAVOLÁTE POPREDAJNÝ SERVIS:

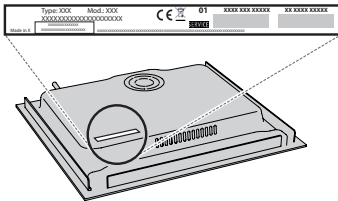
1. Zistite, či nedokážete problém vyriešiť sami s pomocou návrhov riešení uvedených v časti **RIEŠENIE PROBLÉMOV**.
2. Spotrebič vypnite a opäť zapnite, aby ste skontrolovali, či chyba pretrváva.

### AK PO KONTROLÁCH UVEDENÝCH VYŠŠIE PORUCHA NAĎALEJ PRETRVÁVA, SPOJTE SA S NAJBLIŽŠÍM AUTORIZOVANÝM SERVISNÝM STREDISKOM.

Ak potrebujete pomoc, volajte na číslo uvedené v záručnej knižke alebo postupujte podľa pokynov na webovej stránke [www.whirlpool.eu](http://www.whirlpool.eu).

Pri kontaktovaní nášho zákazníckeho popredajného servisu vždy uveďte:

- stručný opis poruchy;
- presný typ a model spotrebiča;



- sériové číslo (číslo uvedené po slove SN na výkonnostnom štítku umiestnenom pod prístrojom). Sériové číslo je tiež uvedené v dokumentácii;



Mod. XXX XXX

Ind.C. XXXX XXXX XXXX

Prod.N. 86999XXXXXXX S.N. XXXX XXXX XXXX

- vašu úplnú adresu;
- vaše telefónne číslo.

Ak je nevyhnutné spotrebič opraviť, obráťte sa na autorizované servisné stredisko (zaručí sa tým použitie originálnych náhradných dielov a správny postup pri oprave).

Prenesite celotna navodila za uporabo na <http://docs.whirlpool.eu> ali pokličite telefonsko številko, navedeno v garancijski knjižici.

⚠ Ta navodila veljajo, če se na aparatu pojavi simbol države. Če se simbol ne pojavi na aparatu, glejte tehnična navodila, v katerih boste našli napotke glede prilagoditve aparata pogojem za uporabo v dani državi.

⚠ POZOR: Uporaba plinskega kuhalnika v prostoru namestitve ustvarja toploto, vlago in ostanke zgorevanja. Poskrbite za dobro prezračevanje kuhinje, kar še posebej velja med uporabo aparata: prezračevalne odprtine naj bodo odprte, lahko pa namestite tudi mehansko prezračevalno napravo (mehanska kuhinjska napa). Če aparat dalj časa intenzivno uporabljate, boste morebiti morali poskrbeti za dodatno prezračevanje, tako da odprete okno ali zagotovite učinkovitejše prezračevanje, na primer s povečanjem stopnje mehanskega prezračevanja (če je mogoče).

⚠ Neupoštevanje napotkov iz tega priročnika lahko povzroči požar ali eksplozijo, ki lahko ima za posledico materialno škodo ali telesne poškodbe.

Pred uporabo aparata preberite ta varnostna navodila. Navodila za prihodnjo uporabo hranite na doseg roke. V navodilih za uporabo in na aparatu so pomembna varnostna navodila, ki jih mora uporabnik prebrati in vedno upoštevati. Proizvajalec ne prevzema odgovornosti v primeru neupoštevanja varnostnih navodil, nepravilne uporabe aparata ali napačne nastavitve upravljalnih elementov.

⚠ OPOZORILO: če na površini kuhalne plošče opazite razpoke, aparata ne uporabljajte, saj obstaja nevarnost električnega udara.

⚠ OPOZORILO: Nevarnost požara: Na kuhalnih površinah ne shranjujte predmetov.

⚠ POZOR: Postopek kuhanja je treba nadzorovati. Postopek kratkotrajnega kuhanja je treba nenehno nadzorovati.

⚠ OPOZORILO: nenadzorovano kuhanje na kuhalni plošči z mastjo ali oljem je lahko nevarno, saj obstaja možnost požara. NIKOLI ne skušajte pogasiti ognja z vodo, ampak napravo izključite in nato pokrijte plamen npr. s pokrovom ali požarno odejo.

⚠ Kuhalne plošče ne uporabljajte kot delovni pult ali podlago. Pazite, da aparat ne pride v stik s krpami ali drugimi vnetljivimi predmeti, dokler se vse komponente povsem ne ohladijo, saj lahko pride do požara.

⚠ Zelo majhni otroci (0–3 leta) ne smejo biti v bližini aparata. Majhni otroci (3–8 let) ne smejo biti v bližini aparata brez stalnega nadzora. Otroci, stari 8 let ali več, in osebe z omejenimi telesnimi, čutnimi ali razumskimi sposobnostmi oz. osebe, ki nimajo izkušenj in znanja, lahko aparat uporabljajo le, če so

pod nadzorom oz. če so bili poučeni o varni uporabi aparata in se zavedajo morebitnih nevarnosti. Otroci se z aparatom ne smejo igrati. Otroci brez nadzora ne smejo čistiti ali vzdrževati aparata.

⚠ POZOR: če steklo kuhalne plošče počni, nemudoma izklopite vse gorilnike in električne grelnike ter prekinite napajanje aparata; ne dotikajte se površine aparata; aparata ne uporabljajte.

Če se stekleni pokrov segreje, lahko počni. Preden zaprete pokrov, izklopite vse gorilnike in električne plošče. Pokrova ne zaprite, ko gorilnik deluje.

⚠ OPOZORILO: Aparat in dostopni deli se med uporabo segrejejo. Pazite, da se ne dotaknete grelnikov. Otroci, mlajši od 8 let, se ne smejo zadrževati v bližini aparata, če niso pod stalnim nadzorom.

## DOVOLJENA UPORABA

⚠ POZOR: aparat ni namenjen upravljanju z zunanjimi upravljalnimi napravami, kot sta časovnik ali ločen daljinski upravljalnik.

⚠ Aparat je namenjen uporabi v gospodinjstvu in temu podobnim načinom uporabe, kot so: v kuhinjah za osebe v trgovinah, pisarnah in drugih delovnih okoljih, na kmetijah, za goste v hotelih, motelih in prebivalce drugih stanovanjskih okolij.

⚠ Druga uporaba ni dovoljena (npr. segrevanje prostorov).

⚠ Aparat ni namenjen profesionalni uporabi. Aparata ne uporabljajte na prostem.

⚠ Uporabljajte posodo, ki ima dno enake širine kot gorilniki ali rahlo širše (glejte ustrezno preglednico). Pazite, da posode na rešetkah ne segajo čez rob kuhališča.

⚠ Nepravilna uporaba mrež lahko poškoduje kuhališče: ne postavljajte mrež na glavo in ne vlecite jih po kuhališču.

Plamen gorilnika ne sme segati čez rob posode. Površina kuhalne plošče je izdelana iz stekla, zato ne uporabljajte rešetk iz litega železa, kamnitih posod in posod iz terakote.

Ne uporabljajte: Difuzorjev toplote, kot je kovinska mrežica, ali drugih vrst. Dveh gorilnikov hkrati za eno posodo (npr. posoda za pripravo rib).

Če lokalni pogoji dovoda plina otežujejo vžig gorilnika, priporočamo, da postopek ponovite tako, da gumb obrnete na nastavitev za majhen plamen. Če nad kuhalno površino namestite napa, glejte navodila nape za ustrezno razdaljo.

Gumirane zaščitne nogice pod rešetkami bi otroci lahko pogoltnili in se zadušili. Ko odstranite mreže, se prepričajte, da so vse noge pravilno nameščene.

## NAMESTITEV

⚠ Za premikanje in namestitev aparata sta potrebni najmanj dve osebi – nevarnost poškodb. Za odstranjevanje embalaže in namestitev aparata uporabite zaščitne rokavice – nevarnost ureznin.

⚠ Električni in plinski priključki morajo biti skladni z lokalnimi predpisi.

⚠ Namestitev aparata, vključno z dovodom vode (če je ta prisoten) in električnimi priključki, ter popravila smejo izvajati samo usposobljeni tehniki. Ne popravljajte ali menjajte katerega koli dela aparata, razen če to ni izrecno navedeno v navodilih za uporabo. Otroci se mestu namestitve ne smejo približevati. Ko aparat

odstranite iz embalaže, se prepričajte, da med prevozom ni bil poškodovan. Če se pojavijo težave, se obrnite na prodajalca ali na najbližji servisni center. Ko je aparat nameščen, ostanke embalaže (plastika, deli iz stiropora itd.) shranite izven dosega otrok – nevarnost zadušitve. Preden aparat namestite, ga odklopite z električnega omrežja – nevarnost električnega udara. Med namestitvijo pazite, da aparat ne poškoduje napajalnega kabla – nevarnost požara ali električnega udara. Aparat vklopite šele, ko je namestitev končana.

⚠ **OPOZORILO:** način namestitve in prilagoditve aparata so zelo pomembni za varno ter pravilno uporabo aparata v vseh pogojih.

⚠ Uporabljajte tlačne regulatorje, ki so primerni za tlak plina, naveden v navodilih.

⚠ Prostor mora biti opremljen z odsesovalnim sistemom, ki odstrani vse hlape zgorevanja. To je lahko napa ali električni ventilator, ki se samodejno zažene ob vsakem vklopu aparata.

⚠ V prostoru mora biti poskrbljeno za ustrezno kroženje zraka, saj je zrak pomemben za zagotavljanje zgorevanja. Zračni tok ne sme pasti pod 2 m<sup>3</sup>/h na kW moči.

⚠ Sistem za kroženje zraka lahko s cevjo z notranjim presekom vsaj 100 cm<sup>2</sup> zrak zajame neposredno od zunaj; nevarnost za zamašitev odprtine ne sme obstajati.

⚠ Sistem zrak za zgorevanje zagotavlja tudi neposredno iz sosednjih prostorov, pri čemer morajo biti nameščene cevi za kroženje zraka (kot je opisano zgoraj). Ti prostori ne smejo biti dnevna soba, spalnice in sobe, v katerih obstaja nevarnost požara.

⚠ Utekočinen naftni plin se spusti na tla, saj je težji od zraka. Sobe, v katerih so jeklenke z utekočinjenim naftnim plinom, morajo biti opremljene z zračniki, ki omogočajo odvajanje plina v primeru puščanja. Polnih ali delno napoljenih jeklenk z utekočinjenim naftnim plinom torej ni dovoljeno namestiti ali shranjevati v podzemnih prostorih ali skladiščih (kleti itd.). Priporočamo, da v prostoru hranite samo jeklenko, ki jo uporabljate, pri čemer jo namestite tako, da nanjo ne vpliva toplota zunanjih virov (pečice, kamini, štedilniki itd.), ki bi lahko jeklenko segreti nad 50 °C.

Če se gumbi gorilnikov težko vrtijo, se obrnite na servisno službo za zamenjavo ventila gorilnika, če je pokvarjen.

Odprtini za prezračevanje in odvajanje toplote nikdar ne prekrivajte.

⚠ Vse potrebne izreze v element izvedite pred vgradnjo aparata ter odstranite vse lesene trske in žagovino.

⚠ Če aparat ni vgrajen nad pečico, je treba v predel pod aparatom vgraditi ločevalno ploščo (ni priložena).

#### **PLINSKI PRIKLJUČEK**

⚠ **OPOZORILO:** pred namestitvijo se prepričajte, da je nastavev aparata skladna z lokalnimi oskrbovalnimi pogoji (vrsta plina in tlak plina).

⚠ Preverite, ali tlak dovoda plina ustreza vrednostim v preglednici „Lastnosti gorilnika in šobe“.

⚠ **OPOZORILO:** pogoji za nastavev aparata so navedeni na nalepkah (ali podatkovni ploščici).

⚠ **OPOZORILO:** aparat ni povezan z napravo za odvajanje ostankov zgorevanja. Nameščen in priključen mora biti skladno z veljavnimi predpisi za namestitve. Posebno pozornost je treba posvetiti ustreznim zahtevam glede prezračevanja.

⚠ Če je aparat priključen na utekočinen plin, mora biti regulacijski vijak popolnoma privit.

⚠ **POMEMBNO:** Če sta nameščena plinska jeklenka ali plinski vsebnik, ju morate pravilno obrniti (navpično).

⚠ **OPOZORILO:** to delo mora izvesti usposobljen tehnik.

⚠ Za priklop plina uporabljajte samo upogibno ali togo kovinsko cev.

⚠ Priključek s togo cevjo (bakreno ali jekleno) Priključek na plinski sistem je treba izvesti tako, da ne obremenjuje aparata. Na vhodnem območju aparata je nastavljen L-priključek za cev, v katerem je tesnilo za preprečevanje puščanja plina. Ob vsakem zasuku priključka za cev je treba zamenjati tesnilo (tesnilo je priloženo aparatu). Priključek cevi za dovod plina je cilindrični moški priključek 1/2 z navojem.

⚠ Namestitev gibke cevi iz nerjavnega jekla na navojni priključek. Priključek za dovod plina je cilindrični moški priključek 1/2 z navojem. Cevi morajo biti nameščene tako, da v popolnoma iztegnjenem stanju nikoli ne presežejo 2000 mm. Po priključitvi se prepričajte, da se gibka kovinska cev ne dotika premičnih delov in da ta ni stisnjena. Uporabljajte samo cevi in tesnila, ki so v skladu z veljavnimi nacionalnimi predpisi.

⚠ **POMEMBNO:** če uporabljate gibko cev iz nerjavnega jekla, mora biti nameščena tako, da se ne dotika premičnih delov pohištva (npr. predalov). Speljana mora biti skozi območje, kjer ni ovir in kjer jo je mogoče pregledati po celotni dolžini.

⚠ Aparat je treba na glavni dovod plina ali na plinsko jeklenko priključiti v skladu z veljavnimi nacionalnimi predpisi. Pred priključitvijo se prepričajte, da aparat ustreza dovodu plina, ki ga želite uporabiti. V nasprotnem primeru upoštevajte navodila v odstavku „Prilagoditev za različne vrste plina“.

⚠ Po priklopu na dovod plina preverite morebitno puščanje z milnico. Prižgite gorilnike ter gumbe zavrtite iz položaja za najvišjo vrednost 1\* v položaj za najnižjo vrednost 2\*, da preverite stabilnost plamena.

#### **PRILAGODITEV ZA RAZLIČNE VRSTE PLINA**

(To delo mora opraviti usposobljen tehnik).

⚠ Za prilagoditev aparata na vrsto plina, za katero aparat ni bil proizveden (naveden na tipski ploščici), upoštevajte predpisane korake za shemo namestitve.

#### **OPOZORILO GLEDE ELEKTRIČNEGA TOKA**

⚠ **POMEMBNO:** Podatki o porabi toka in napetosti so navedeni na napisni tablici.

⚠ Prekinitev napajanja aparata mora biti mogoča z izklopom vtiča, če je ta na dosegu roke, ali z večpolnim stikalom, ki je v skladu s predpisi za ožičenje nameščeno na vodu med vtičnico in aparatom. Aparat mora biti ozemljen v skladu z državnimi standardi glede električne varnosti.

⚠ Napajalni kabel mora biti dovolj dolg, da bo aparat mogoče priključiti na električno omrežje, ko bo ta nameščen na ustrezno mesto. Ne vlecite napajalnega kabla.

⚠ Prepovedana je uporaba podaljškov, razdelilnih vtičnic in adapterjev. Električne komponente po namestitvi aparata uporabnikom ne smejo biti dostopne. Aparata ne uporabljajte, kadar ste mokri ali bos. Aparata ne uporabljajte, če ima poškodovan napajalni kabel ali vtič, če ne deluje pravilno oziroma če je bil poškodovan ali je padel.

⚠ Za preprečevanje nevarnosti lahko poškodovan napajalni kabel z enakim kablom nadomesti le proizvajalec, njegov serviser ali podobno usposobljena oseba – nevarnost električnega udara.

### **ČIŠČENJE IN VZDRŽEVANJE**

⚠ **OPOZORILO:** Aparat morate pred vzdrževalnimi deli izklopiti in izključiti z električnega napajanja; ne uporabljajte parnih čistilcev, saj obstaja nevarnost električnega udara.

⚠ Ne uporabljajte abrazivnih ali korozivnih izdelkov, čistil na osnovi klora ali žičnatih gob.

⚠ Da bi preprečili poškodbe električne vžigalne naprave, je ne uporabljajte, če gorilniki niso v ohišju.

### **ODSTRANJEVANJE EMBALAŽE**

Embalažo je mogoče povsem reciklirati in je označena s simbolom za recikliranje




Dele embalaže zato zavrzite odgovorno in v skladu s predpisi pristojnih služb, ki urejajo odlaganje odpadkov.

### **ODSTRANJEVANJE GOSPODINJSKIH APARATOV**

Aparat je izdelan iz materialov, ki jih je mogoče reciklirati ali ponovno uporabiti. Aparat zavrzite v skladu z veljavnimi lokalnimi predpisi. Dodatne informacije o odstranjevanju in recikliranju električnih gospodinjskih aparatov lahko dobite na pristojnem občinskem uradu, pri komunalni službi ali v trgovini, kjer ste aparat kupili. Aparat je označen v skladu z evropsko Direktivo 2012/19/EU o odpadni električni in elektronski opre (OEE) in uredbami o odpadni električni in elektronski opre (WEEE) iz leta 2013 (v veljavni različici).

Aparat odložite na predvidenih zbirnih mestih, saj lahko s tem preprečite škodljive posledice za okolje in zdravje ljudi.

Simbol  na izdelku ali priloženi dokumentaciji pomeni, da je aparat prepovedano odlagati med gospodinjske odpadke. Oddati ga je treba na zbirnem centru za recikliranje električne in elektronske opreme.

### **NASVETI ZA VARČEVANJE Z ENERGIJO**

Uporabljajte posodo, ki ima dno enake širine kot kuhalno območje.

Uporabljajte samo posode z ravnim dnom.

Če je možno, naj bodo med kuhanjem na posodah pokrovke.

Z ekonom loncem prihranite še več energije in časa.

### **IZJAVA O SKLADNOSTI**

Ta naprava je skladna z zahtevami za okoljsko primerno zasnovano uredbo Komisije (EU) št. 66/2014 in uredbami iz leta 2019 za okoljsko primerno zasnovane izdelke, povezane z energijo, in energetske informacije (sprememba) (izstop iz EU) v skladu z evropskim standardom EN 30-2-1.



| Vrsta uporabljenega plina                          | Vrsta gorilnika | Oznaka injektorja | Nazivni toplotni pretok<br>kW | Nazivna poraba | Znižena toplotna kapaciteta<br>kW | Plinski tlak<br>mbar |      |       |
|--|-----------------|-------------------|-------------------------------|----------------|-----------------------------------|----------------------|------|-------|
|  |                 |                   |                               |                |                                   | najm.                | naz. | najv. |
| ZEMELJSKI PLIN<br>(Metan) <b>G20</b>               | Polhitro (SR)   | 97 A              | 1,65                          | 157 l/h        | 0,40                              | 17                   | 20   | 25    |
|  | Dodatni (AUX)   | 78 A              | 1,00                          | 95 l/h         | 0,40                              |                      |      |       |
|  | 2-Obročni (DC)  | 140 H1            | 3,50                          | 333 l/h        | 2,20                              |                      |      |       |
| UTEKOČINJENI<br>NAFTNI PLIN<br>(Butan) <b>G30</b>  | Polhitro (SR)   | 66 A              | 1,65                          | 120 g/h        | 0,40                              | 20                   | 30   | 35    |
|  | Dodatni (AUX)   | 50                | 1,00                          | 73 g/h         | 0,40                              |                      |      |       |
|  | 2-Obročni (DC)  | 91                | 3,30                          | 240 g/h        | 2,20                              |                      |      |       |
| UTEKOČINJENI<br>NAFTNI PLIN<br>(Propan) <b>G31</b> | Polhitro (SR)   | 66 A              | 1,65                          | 118 g/h        | 0,40                              | 20                   | 30   | 35    |
|  | Dodatni (AUX)   | 50                | 1,00                          | 71 g/h         | 0,40                              |                      |      |       |
|  | 2-Obročni (DC)  | 91                | 3,30                          | 236 g/h        | 2,20                              |                      |      |       |

| Vrsta uporabljenega plina | Konfiguracija modela<br>4 GORILNIKI | Nazivni toplotni pretok<br>(kW) | Skupna nazivna poraba | Zahtevan zrak (m <sup>3</sup> ) za<br>izgorevanje 1m <sup>3</sup> plina |
|---------------------------|-------------------------------------|---------------------------------|-----------------------|---|
| <b>G20</b> 20 mbar        | 2SR - 1AUX - 1DC                    | 7,80                            | 743 l/h               | 9,52  |
| <b>G30</b> 30 mbar        | 2SR - 1AUX - 1DC                    | 7,60                            | 553 g/h               | 30,94   |
| <b>G31</b> 30 mbar        | 2SR - 1AUX - 1DC                    | 7,60                            | 543 g/h               | 23,80   |

ELEKTRICKÉ NAPÁJANIE: 220-240 V ~ 50-60 Hz - 1,1W

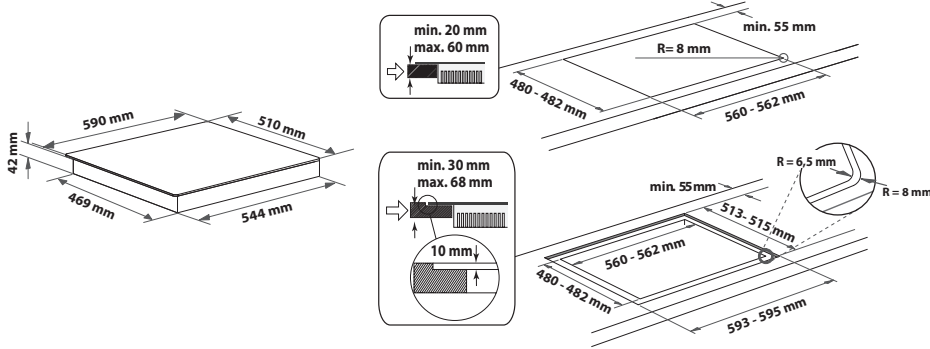


## NAMESTITEV (RAZRED 3)

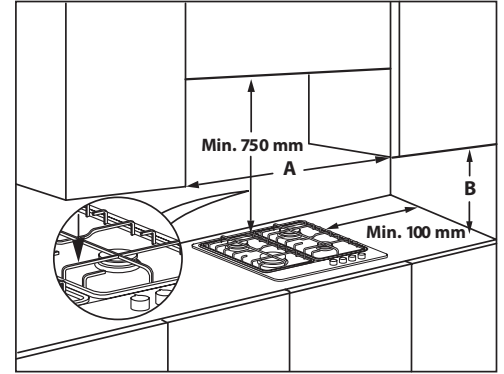
### TEHNIČNE INFORMACIJE ZA INŠTALATERJA

- Za delo, pripravo in nameščanje uporabite zaščitne rokavice.
- Ta izdelek lahko vdolate v delovno površino debeline od 20 do 60 mm, s standardno namestitvijo. Za podometno montažo  $30 \pm 68$ .
- Če pod kuhališčem ni pečice, vstavite ločevalno ploščo, katere površina je vsaj enaka odprtini v delovni površini. Ta plošča mora biti postavljena največ 150 mm pod zgornjo površino delovne površine, a ne manj kot 20 mm od dna kuhališča. Če nameravate pod kuhališče vgraditi pečico, mora ta biti opremljena s hladilnim sistemom.

### DIMENZIJE IN RAZDALJE



Preden uporabite silikon, kuhhalno ploščo poravnajte v izrezu



**OPOMBA:** Če je razdalja "A" med stenskimi elementi med 600mm in 730 mm, mora biti višina "B" najmanj 530 mm.  
Če je razdalja "A" med stenskimi omaricami večja od širine kuhhalne plošče, mora biti višina "B" najmanj 400 mm.  
Če nad kuhhalno površino namestite nape, glejte navodila nape za ustrezno razdaljo.

### SESTAVLJANJE

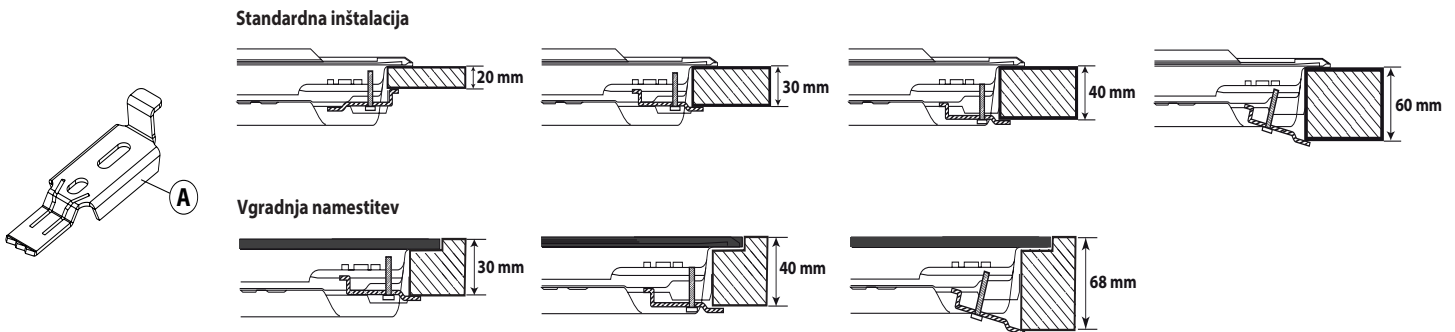
Ko očistite površino obsega, na kuhhalno ploščo namestite priloženo tesnilo, kot je prikazano na sliki.

Postavite kuhališče v odprtino na delovni površini, ki je bila izrezana po dimenzijah v navodilih.

**OPOMBA:** Napajalni kabel mora biti dovolj dolg, da ga lahko izvlečete v smeri navzgor.



Za pritrditev gorilnika uporabite priložene nosilce (A). Namestite nosilce v ustrezne izvrtine, prikazane s puščico, in jih privijte z vijaki glede na debelino delovne površine (glejte naslednje slike).

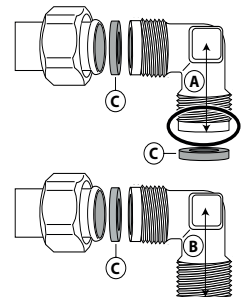


### PLINSKI PRIKLJUČEK

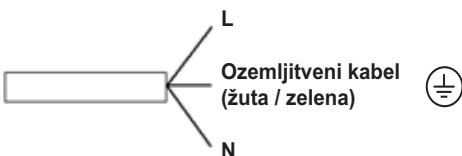
- Priključite koleno (A)\* ali (B)\*, ki je priloženo kuhališču, na glavno dovodno cev kuhališča in namestite priloženo podložko (C) skladno z EN 549.

\* Za Francijo uporabite koleno (A), za vse druge lokacije pa (B).

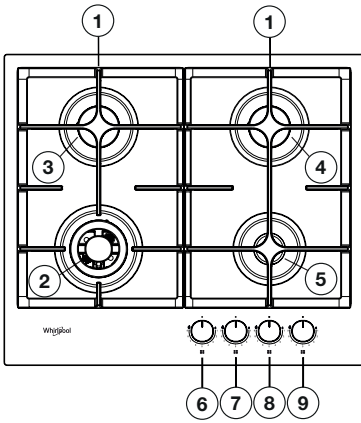
- Po priključu na dovod plina preverite morebitno puščanje z milnico. Prižgite gorilnike in obrnite gumbce z največjega plamena  $\odot$  na najmanjši plamen  $\odot$ , da preverite stabilnost plamena.



### ELEKTRIČNI PRIKLJUČEK



# OPIS IZDELKA



1. Mreže za posode, ki jih je mogoče odstraniti
2. 2-obročni gorilnik
3. Polhitri gorilnik
4. Polhitri gorilnik
5. Pomocny horak
6. Krmilni gumb za 2-obročni gorilnik
7. Krmilni gumb za polhitri gorilnik
8. Krmilni gumb za polhitri gorilnik
9. Krmilni gumb za pomožni gorilnik

## Simboli

- Zasenčeni krog ● Zaprta pipa  
Veliki plamen 🔥 Največja odprtina/dovod in električni vžig  
Majhen plamen 🔥 Najmanjša odprtina ali zmanjšani dovod

# PRVA UPORABA

## KAKO UPORABLJATI KUHALIŠČE

⚠ Plamen gorilnika ne sme segati čez rob posode.

**POMEMBNO: pri uporabi kuhališča lahko celotno območje kuhališča postane vroče.**

- Če želite prižgati en gorilnik, obrnite ustrezní gumb v nasprotni smeri urnega kazalca na maksimalno nastavitev plamena.
- Pritisnite gumb v nadzorno ploščo, da prižgete gorilnik.
- Ko se gorilnik prižge, pridržite gumb še nadaljnjih 5-10 sekund, da zagotovite pravilno delovanje naprave.
- Varnostna naprava gorilnika zapre dovod plina gorilniku, če se plamen po nesreči ugasne (npr. prepil, prekinitev dovoda plina, prekipevanje).
- **Gumba ne smete držati več kot 15 sekund. Če po tem času gorilnik ne ostane prižgan, počakajte vsaj minuto, preden ga znova poskusite prižgati.**

**OPOMBA: Če lokalni pogoji dovoda plina otežujejo vžig gorilnika, priporočamo, da ponovite postopek tako, da gumb obrnete na nastavitev za majhen plamen.**

**Gorilnik lahko ugasne, ko izpustite gumb.** To pomeni, da se varnostna naprava ni dovolj segrela. V tem primeru ponovite postopek zgoraj. Če plamen gorilnika slučajno ugasne, izključite gumb gorilnika in ga ne poskusite znova vključiti najmanj eno minuto.

## UPORABNI NASVETI ZA UPORABO GORILNIKOV

To kuhališče ima gorilnike različnih premerov. Za boljše delovanje gorilnikov upoštevajte naslednja pravila:

- uporabljajte posode, ki imajo dno enake širine kot gorilniki ali rahlo širše (glejte preglednico desno);
- uporabljajte samo posode s ploskim dnom,
- uporabljajte ustrezno količino vode za kuhanje hrane in pustite posodo pokrito,
- pazite, da posode na rešetkah ne segajo čez rob kuhališča,
- če uporabljate ponve s konveksnim dnom (vok), uporabite podporno rešetko (ni priložena), postavite pa jo lahko samo na gorilnik z več obroči,
- izogibajte se naključnim udarcem z lonci, žari ali drugimi kuhinjskimi pripomočki,
- ne puščajte praznih grezij na peči več kot 5 minut.

**POMEMBNO: Nepravilna uporaba mrež lahko poškoduje kuhališče: ne postavljajte mrež na glavo in ne vlecite jih po kuhališču.**

| GORILNIK  | Ø POSODE       |
|-----------|----------------|
| 2-Obročni | Od 24 do 26 cm |
| Polhitro  | Od 16 do 22 cm |
| Dodatni   | Od 8 do 14 cm  |

Ne uporabljajte:

- Rešetk iz litega železa, kamnitih posod in posod iz terakote.
- Difuzorjev toplote, kot je kovinska mrežica, ali drugih vrst.
- Dveh gorilnikov hkrati za eno posodo (npr. kotel za ribe).

Razlita tekočina na vročem kuhališču lahko poškoduje steklo.

## NASTAVITEV ZA RAZLIČNE VRSTE PLINA

⚠ To delo mora izvesti usposobljen tehnik.

Če bo ta naprava delovala z drugačno vrsto plina, kot je navedena na tipski ploščici in informativni nalepki na vrhu kuhališča, zamenjajte injektorje. Odstranite informativno nalepko in jo shranite v knjižico z navodili.

**Uporabljajte tlačne regulatorje, ki so primerni za tlak plina, naveden v navodilih.**

- Injektor za plin mora zamenjati servisna služba ali usposobljen tehnik.
- Injektor, ki ni priložen napravi, morate naročiti pri servisni službi.
- Nastavite minimalno nastavitev ventilov.

**OPOMBA: Če uporabljate utekočinjeni naftni plin (G30/G31), mora biti vijak za minimalno nastavitev plina zategnjen, kolikor je mogoče.**

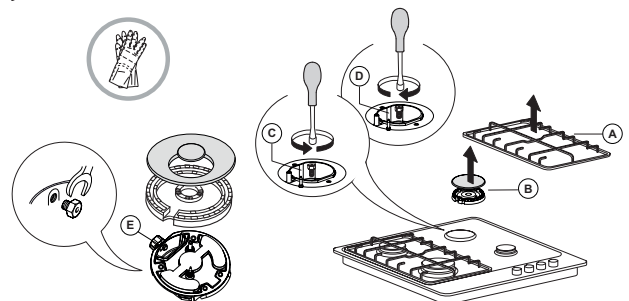
**POMEMBNO: Če gumba gorilnika stežka obračate, se obrnite na servisno službo za zamenjavo ventila gorilnika, če se ugotovi, da je okvarjen.**

**POMEMBNO: Če uporabljate plinsko jeklenko, morate jeklenko ali vsebnik pravilno obrniti (navpično).**

**ZAMENJAVA INJEKTORJEV (glejte tabelo injektorjev v varnostnih navodilih)**

⚠ To delo mora izvesti usposobljen tehnik.

- Odstranite mreže (A).
- Odstranite gorilnike (B).
- Z nasadnim ključem ustrezne velikosti odvijte injektor (C), ki ga boste zamenjali.
- Zamenjajte ga z injektorjem, ki je primeren za novo vrsto plina.
- Znova sestavite injektor v (D).
- Če imate gorilnik z več obroči, za zamenjavo injektorja uporabite stranski ključ (E).



Preden namestite kuhališče, morate pritrditi ploščico za umerjanje plina, ki je priložena injektorjem, tako da pokriva obstoječe informacije glede umerjanja plina.

## NASTAVLJANJE MINIMALNE NASTAVITVE PLINA

⚠ To delo mora izvesti usposobljen tehnik.

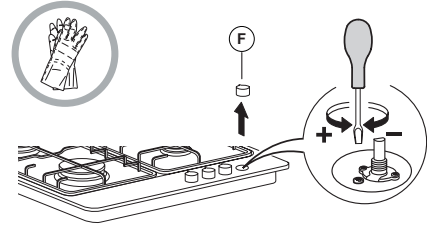
Nastavitev morate izvesti, ko je ventil na položaju za minimalni dovod plina (majhen plamen) ⚡.

Primarnega dovoda zraka gorilnikov ni treba nastavljati.

Da zagotovite, da je minimalna nastavitev pravilno nastavljena, odstranite gumb (F) in storite naslednje:

- privijte vijak, da zmanjšate višino plamena (-);
- popustite vijak, da zvišate višino plamena (+).

Nato prižgite gorilnike in obrnite gumb z največjega plamena ⚡ na najmanjši plamen ⚡, da preverite stabilnost plamena.



Po zaključku nastavitve jih znova zatesnite s tesnilnim voskom ali ustreznim materialom.

## VEČ RAVNI PLAMENA

| RAVEN | NAČIN PRIPRAVE/VRSTA JEDI (PRIPOROČENO ZA) | NASVETI ZA PRIPRAVO JEDI   |
|-------|--|--|
| 1-2   | OHRANJANJE JEDI TOPLE                      | Idealno za mehčanje masla, nežno taljenje čokolade v vodni kopeli, odmrzovanje majhnih porcij, pripravo kremne rižote.   |
|       | NEŽNO KUHANJE                              |  |
| 3-4   | POČASNO VRENJE                             | Idealno za recepte, ki zahtevajo dolgotrajno kuhanje (riž, omake, pečenka, ribe) s tekočinami (voda, vino, juha) in za kremne testenine, z ohranjanjem blagega vrenja. |
|       | DUŠENJE                                    |  |
| 5-6   | PEČENJE                                    | Idealno za praženje, dušenje zelenjave, daljše pripravljane jedi, predgretje pribora, pripravo kremastih jedi.   |
|       | CVRTJE                                     |  |
| 7-8   | HITRO CVRTJE                               | Idealno za površinsko pečenje, začetek kuhanja, hitro zavretje tekočin, cvrtje zamrznjenih izdelkov, pečenje mesa in rib, ohranjanje močnega vrenja.                   |
|       | PEKA NA ŽARU                               |  |
| 9     | HITRO GRETJE                               | Idealno za hitro pogrevanje živil ali za segrevanje tekočin (vode).  |

## VZDRŽEVANJE IN ČIŠČENJE

⚠ Aparat izklopite iz električnega napajanja

### ČIŠČENJE POVRŠINE GORILNIKA

- Emajlirane in steklene dele čistite s toplo vodo in nevtralno raztopino.
- Površine iz nerjavnega jekla lahko dobijo madeže zaradi vode, ki vsebuje kalcij, ali agresivnih detergentov, če so predolgo v stiku. Razlito hrano (voda, omake, kava itd.) takoj obrišite, preden se zasuši.
- Očistite s toplo vodo in nevtralnim detergentom, nato pa posušite z mehko krpo ali jelenovo kožo. Prižgano umazanijo odstranite z namenskimi čistili za površine iz nerjavnega jekla.

### OPOMBA: Nerjavno jeklo čistite samo z mehko krpo ali gobico.

- Ne uporabljajte abrazivnih ali korozivnih izdelkov, čistil na osnovi klor ali žičnatih gobic.
- Ne uporabljajte parnih čistilnikov.
- Ne uporabljajte vnetljivih izdelkov.
- Na kuhališču ne puščajte kislih ali alkalnih snovi, kot so kis, gorčica, sol, sladkor ali limonov sok.

### ČIŠČENJE DELOV KUHALIŠČA

- Steklene in emajlirane dele čistite samo z mehko krpo ali gobico.
- Mreže, pokrovčke gorilnikov in gorilnike lahko za čiščenje odstranite.
- Očistite jih ročno s toplo vodo in neabrazivnim detergentom, pri čemer odstranite ostanke hrane in preverite, da odprtine gorilnika niso zamašene.
- Sperite in osušite.
- **Litoželezne rešetke lahko pomivate v pomivalnem stroju. Odstranite morebitne zažgane ostanke hrane, preden rešetko namestite v spodnjo košaro pomivalnega stroja.**
- Znova namestite gorilnike in pokrovčke gorilnika v ustrezna ohišja.
- Ko znova nameščate mreže, pazite, da je območje za odlaganje posode poravnano z gorilnikom.
- Modeli, opremljeni z električnimi vžigalnimi svečkami in varnostno napravo, za delovanje potrebujejo temeljito čiščenje vžigalnega dela. Te predmete preverjajte manj pogosto, po potrebi pa jih obrišite z vlažno krpo. Vso prižgano hrano morate odstraniti z zobotrebce ali iglo.

**OPOMBA: Da bi preprečili poškodbe električne vžigalne naprave, je ne uporabljajte, če gorilniki niso v ohišju.**



## ODPRAVLJANJE TEŽAV

Če gorilnik ne deluje pravilno, preverite navodila za odpravljanje napak, preden kličete servis.

### 1. Gorilnik se ne prižge ali pa plamen ni enakomeren

Preverite, da:

- Dovod plina ali elektrike ni izklopljen, ventil za dovod plina je odprt.
- Jeklenka s plinom (utekočinjeni plin) ni prazna.
- Odprtine gorilnika niso zamašene.
- Del z vtičem ni umazan.
- Vsi deli gorilnika so pravilno postavljeni.
- V bližini kuhališča ni prepiha.

### 2. Gorilnik ne ostane prižgan

Preverite, da:

- Ko prižigate gorilnik, je bil gumb pritisnjen dovolj časa, da se je aktivirala zaščitna naprava.
- Odprtine gorilnika v bližini termočlena niso zamašene.
- Konec varnostne naprave ni umazan.
- Minimalna nastavitvev plina je pravilna (glejte ustrezno poglavje).

### 3. Posode niso stabilne

Preverite, da:

- Dno posode je popolnoma ravno.
- Posoda je na sredini gorilnika.
- Rešetke niso bile zamenjane ali nepravilno postavljene.

Če tudi po zgoraj navedenih ukrepih ne odpravite napake, pokličite najbližjo servisno službo.

## SERVISNA SLUŽBA

Izdelek registrirajte na spletni strani [www.whirlpool.eu/register](http://www.whirlpool.eu/register), da vam bomo lahko nudili vsestranski servis in podpor.

### PREDEN POKLIČETE SERVISNO SLUŽBO:

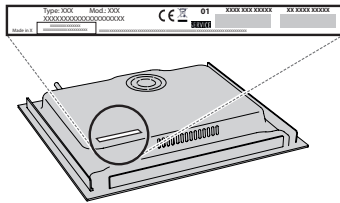
1. Preverite, ali lahko težavo odpravite sami glede na predloge v poglavju **NAVODILA ZA ODPRAVLJANJE TEŽAV**.
2. Z izklopom in ponovnim vklopom aparata preverite, ali je napaka še vedno prisotna.

### ČE VAM TUDI PO ZGORAJ NAVEDENIH UKREPIH NE USPE ODPRAVITI NAPAKE, POKLIČITE NAJBLIŽJO SERVISNO SLUŽBO.

Za pomoč pokličite številko, ki je navedena v garancijski knjižici, ali upoštevajte navodila na spletni strani [www.whirlpool.eu](http://www.whirlpool.eu).

Ko stopite v stik z našo servisno službo, vedno navedite:

- kratek opis napake;
- tip in točen model aparata;



- Serijska številka (številka po besedi SN na napisni ploščici na spodnji strani naprave). Serijska številka je navedena tudi v dokumentaciji;



Mod. XXX XXX

Ind.C. XXXX XXXX XXXX

Prod.N. 86999XXXXXXX S.N. XXXX XXXX XXXX

- točen naslov;
- svojo telefonsko številko.

Če je potrebno popravilo, se obrnite na pooblaščen servisno službo (za zagotovljeno uporabo originalnih nadomestnih delov in pravilno izvedbo popravila).

Töltse le a teljes útmutatót a <http://docs.whirlpool.eu> honlapról, vagy hívja fel a garancia füzetben megtalálható telefonszámot.

⚠ Jelen utasítások akkor érvényesek, ha az országjelzés a készüléken is szerepel. Ha a jelzés nem szerepel a készüléken, kövesse a műszaki utasításokat, melyek elegendő információt nyújtanak ahhoz, hogy a készüléket megfelelően átalakíthassa az adott országban történő használathoz.

⚠ VIGYÁZAT! A gázzal működő tűzhely működés közben hőt, párákat és robbanásveszélyes anyagokat bocsát ki abban a helyiségben, ahol üzembe helyezték. Biztosítsa a konyha megfelelő szellőzését, különösen a készülék használata közben: hagyja nyitva a természetes szellőzőnyílásokat, vagy építsen be mechanikus elszívóberendezést (mechanikus szagelszívót). Ha a készüléket hosszabb ideig használja, további szellőztetésre lehet szükség, tehát lehet, hogy ki kell nyitnia az ablakot, vagy magasabb fokozatra kell állítania a mechanikus szagelszívót, ha van.

⚠ Ha nem tartja be pontosan az útmutató utasításait, tűz vagy robbanás keletkezhet, amely anyagi kárt vagy személyi sérülést okozhat.

A készülék használata előtt olvassa el az alábbi biztonsági útmutatót. Őrizze meg a későbbi felhasználás érdekében.

A kézikönyvben és a készüléken található fontos biztonsági figyelmeztetéseket mindig olvassa el és tartsa be. A gyártó nem vállal felelősséget a biztonsági utasítások figyelmen kívül hagyásából, a készülék nem rendeltetésszerű használatából vagy a készülék kezelőszerveinek helytelen beállításaiából eredő károkért.

⚠ VIGYÁZAT! Ha a főzőlap felszíne megrepedt, ne használja a készüléket – elektromos áramütés kockázata.

⚠ VIGYÁZAT! Tűzveszély: Ne tároljon semmilyen tárgyat a főzőlapon.

⚠ FIGYELEM: A főzési folyamat során ne hagyja a készüléket hosszabb időre felügyelet nélkül. Rövid főzési folyamat során a készülék folyamatos felügyelete szükséges.

⚠ VIGYÁZAT! Ha felügyelet nélkül zsírral vagy olajjal főz a főzőlapon, az veszélyes lehet, és tüzet okozhat. SOHA ne próbálja a keletkezett tüzet vízzel eloltani! Inkább kapcsolja ki a készüléket, majd takarja le a lángokat pl. egy fedővel vagy egy tűzálló ponyvával.

⚠ Ne használja a főzőlapot munkafelületként vagy támasztékként. Tűzbiztonsági okokból ne hagyjon konyharuhát vagy más gyúlékony tárgyat a készülék közelében, amíg annak minden része teljesen ki nem hűl.

⚠ Kisgyermeket (0–3 év között) ne engedjen a készülék közelébe. A 3–8 év közötti gyerekek kizárólag felnőtt felügyelete mellett tartózkodhatnak a készülék közelében. A 8 évnél idősebb gyermekek, illetve a korlátozott fizikai,

érzékelési vagy mentális képességű felnőttek, valamint a készülék használatát nem ismerő, illetve abban nem gyakorlott személyek kizárólag felügyelet mellett használhatják a készüléket, vagy csak azután, ha a készülék biztonságos használatával kapcsolatos utasításokat és a használattal járó kockázatokat megismerték. Ne engedje, hogy gyermekek játsszanak a készülékkel! A készülék tisztítását és karbantartását gyermekek kizárólag felügyelet mellett végezhetik.

⚠ VIGYÁZAT! Ha a főzőlap üvege eltörik: Azonnal kapcsolja ki az összes gázrőzsát és elektromos fűtőelemet, majd húzza ki a készüléket az elektromos hálózatból; Ne nyúljon a főzőlap felszínéhez; Ne használja a készüléket.

Az üvegburkolat eltörhet, ha felforrósodik. Kapcsolja ki az összes gázrőzsát és az elektromos főzőlapokat, mielőtt lehajtaná az üvegburkolatot. Ne hajtsa le az üvegburkolatot, amíg a gázrőzsák még égnek.

⚠ VIGYÁZAT! A készülék és annak hozzáférhető részei használat közben felforrósodnak. Ügyeljen arra, hogy ne érjen a fűtőelemekhez. A 8 évesnél fiatalabb gyermekeket távol kell tartani a készüléktől, hacsak nincsenek folyamatos felügyelet alatt.

#### RENDELTESSZERŰ HASZNÁLAT

⚠ VIGYÁZAT! A készüléket nem lehet külső kapcsolószerkezettel (pl. időzítő) vagy távirányítóval használni.

⚠ A készüléket háztartási célra és ahhoz hasonló célú felhasználásra tervezték, mint például: munkahelyi konyha boltokban, irodákban és más munkahelyeken; tanyán; szállodák, motelek, reggelit és szobát kínáló és egyéb szálláshelyek vendégei számára.

⚠ Egyéb célra történő használata tilos (pl. helyiség fűtése).

⚠ A készüléket nem ipari felhasználásra tervezték. Ne használja a készüléket a szabadban.

⚠ Olyan edényeket használjon, amelyek aljának átmérője a gázrőzsák méretével azonos vagy annál kissé nagyobb (lásd vonatkozó táblázat). Ügyeljen arra, hogy a rácsokra helyezett edények ne nyúljanak túl a tűzhelylap szélén.

⚠ A rácsok helytelen használata károsíthatja a készüléket: ne használja a rácsokat fordítva, és ne húzza őket a főzőlapon.

Ne hagyja, hogy a gázrőzsa lángja továbbérjen az edény szélénél.

Ha a főzőlap felülete üveg, ne használjon öntöttvas serpenyőket, római tálakat, terrakottaedényeket.

Ne használja a következőket: hőelosztó eszközöket, például fémhálót vagy bármilyen más hálót; egy edényhez (pl. hosszúkás halsütő edény) egyszerre két gázrőzsát.

Ha a gázszolgáltatás helyi körülményei miatt a gázrőzsák begyűjtása nehézkes, javasoljuk, hogy próbálja újra úgy, hogy közben a gázrőzsát a legkisebb lángra állítja.

Ha a főzőlap fölé elszívóberendezést szerel, kövesse az elszívóhoz mellékelt utasításokat az üzembe helyezéshez.

A rácsok védőgumitalpait kisgyermekesetleg lenyelhetik, így fulladásveszélyt jelentenek. A rácsok levétele után ellenőrizze, hogy a gumitalpak megfelelően vannak-e rögzítve.

## ÜZEMBE HELYEZÉS

⚠ A készülék mozgatását és üzembe helyezését a sérülésveszély csökkentése érdekében két vagy több személy végezze. Viseljen védőkesztyűt a készülék kicsomagolása és üzembe helyezése során, nehogy megvágja magát.

⚠ A elektromos és gázbekötéseket a helyi előírásoknak megfelelően kell elvégezni.

⚠ A készülék üzembe helyezését és javítását, a vízbekötést (ha van) és az elektromos csatlakoztatást is beleértve, kizárólag képzett szakember végezheti. Csak akkor javítsa meg vagy cserélje ki a készülék egyes alkatrészeit, ha az adott művelet szerepel a felhasználói kézikönyvben. Ne engedje a gyermekeket abba a helyiségbe, ahol az üzembe helyezést végzi. A készülék kicsomagolása után ellenőrizze, hogy a szállítás során nem sérült-e meg. Probléma esetén vegye fel a kapcsolatot a kereskedővel vagy a legközelebbi vevőszolgálattal. Üzembe helyezés után a csomagolóanyagokat (műanyag, habszivacs stb.) az esetleges fulladásveszély miatt olyan helyen tárolja, vagy úgy dobja ki, hogy a gyermekek ne férhessenek hozzá. Az áramütés elkerülése érdekében az üzembe helyezési műveletek előtt húzza ki a készülék hálózati csatlakozóját. Az áramütés elkerülése érdekében az üzembe helyezés során győződjön meg arról, hogy a készülék miatt nem sérül-e a hálózati tápkábel. A készüléket csak a megfelelő üzembe helyezést követően kapcsolja be.

⚠ VIGYÁZAT! A készülék adott országnak megfelelő módosítása és az üzembe helyezés módja alapvető fontosságú a készülék biztonságos használat szempontjából.

⚠ A nyomásszabályzók segítségével állítsa be az utasításban jelzett gáznyomást.

⚠ A helyiségben légelszívó berendezést kell elhelyezni a használat során keletkező robbanásveszélyes gázok elvezetéséhez. Erre a célra egy elektromos ventilátorral ellátott szagelszívó is megfelel, amely minden alkalommal automatikusan bekapcsol, amikor a főzőlapot bekapcsolják.

⚠ Biztosítani kell továbbá a helyiségben a szabad légáramlást, mivel a gáz normál égéséhez levegőre van szükség. A légáramlásnak minden kW teljesítményre legalább 2 m<sup>3</sup>/h-nak kell lenni.

⚠ A szellőzőrendszer közvetlenül a szabadból szívhat be levegőt egy minimum 100 cm<sup>2</sup> belső átmérőjű csövön keresztül; a kinti nyílást védeni kell az eltömődéstől.

⚠ A rendszer a gáz égéséhez szükséges levegőt akár közvetlenül is szolgáltathatja, azaz a lakás más helyiségeiből átvezetett szellőzőcsövek révén. Viszont ilyen esetben ezek a helyiségek nem lehetnek közös helyiségek, hálószobák vagy tűzveszélyes helyiségek.

⚠ Mivel a PB-gáz nehezebb a levegőnél, lesüllyed a padlószintre. Ezért ha gázpalackról oldják meg a gázellátást, a helyiségben biztosítani kell egy padlón kialakított, alsó szellőzőt is, hogy gázszivárgás esetén a

gáz távozni tudjon. Ezért a teljesen vagy részben feltöltött gázpalackot nem szabad a talajszintnél alacsonyabb helyiségekben (pince stb.) üzembe helyezni vagy tárolni. Javasoljuk, hogy kizárólag az éppen használt gázpalackot tartsa a helyiségben, és úgy helyezze el, hogy külső hőforrásoktól távol legyen (sütők, kandallók, tűzhelyek stb.), így azok ne emelhesék a palack hőmérsékletét 50 °C fölé.

Ha a szabályzó gombokat nehezen lehet elforgatni, hívja az ügyfélszolgálatot, mert lehet, hogy a gombok cseréjére van szükség.

A szellőző- és hőelosztó nyílásokat soha ne fedje le.

⚠ Végezzen el minden asztalosmunkát a bútoron, és gondosan távolítsa el minden faforgácsot és fűrészport, mielőtt a készüléket a befoglaló egységbe szerelné.

⚠ Ha a készüléket nem egy sütő fölé szereli be, tegyen egy elválasztó panelt (nem tartozék) az alsó konyhaszekrény és a főzőlap közé.

## GÁZCSATLAKOZÁS

⚠ VIGYÁZAT! Üzembe helyezés előtt győződjön meg arról, hogy a helyi gázhálózat jellemzői (gáztípus és gáznyomás) megfelelnek a készülék beállításainak.

⚠ Ellenőrizze, hogy a gázellátás megfelel-e az „Ellenőrzés és fűvókák műszaki adatai” táblázat „Gázrészletek és fűvókák műszaki adatai” adatainak.

⚠ VIGYÁZAT! A készülék konfigurációs feltételei a címkén (vagy adattáblán) találhatóak.

⚠ VIGYÁZAT! A készülék nincs felszerelve a robbanásveszélyes gázok elvezetésére szolgáló berendezéssel. A készüléket a hatályos üzembe helyezési előírásoknak megfelelően kell üzembe helyezni. Különösen fontos a vonatkozó, szellőzéssel kapcsolatos előírások pontos betartása.

⚠ Ha a készüléket folyékony gázra csatlakoztatják, a szabályzócsavart a lehető leghamarabban meg kell húzni.

⚠ FONTOS: Ha a készüléket gázpalackról üzemeltetik, a palackot megfelelően kell elhelyezni (függőlegesen).

⚠ VIGYÁZAT! Ezt a műveletet csak szakképzett szerelő végezheti.

⚠ A gázcsatlakozáshoz csak rugalmas vagy merev fémcsövet használjon.

⚠ Csatlakoztatás merev csőre (réz vagy acél): A gázellátáshoz történő csatlakoztatást úgy kell elvégezni, hogy az semmilyen megterhelésnek ne tegye ki a készüléket, tehát a csatlakozás ne feszüljön. A készülék bemeneti nyílására csatlakozó, L-alakú cső állítható, és egy tömítéssel is fel van szerelve a szivárgás megelőzése érdekében. A tömítést minden alkalommal ki kell cserélni, miután a csőszerelvényt elforgatják (a tömítés a készülék tartozékai között található). A gázellátást biztosító cső egy menetes, 1/2-es, henger alakú cső, apa csatlakozóval.

⚠ Csatlakoztatás hajlékony, illesztékmentes acélcsővel a menetes csatlakozóvégre: A gázellátást biztosító cső egy menetes, 1/2-es, henger alakú cső, apa csatlakozóval. Az ilyen csöveket mindig úgy kell felszerelni, hogy azok teljesen kinyújtva soha ne legyenek hosszabbak 2000 mm-nél. A csatlakoztatás elvégzése után győződjön meg róla, hogy a hajlékony fémcső nem ér hozzá



semmilyen mozgó alkatrészhez és nincs összeszorítva. Kizárólag az adott országban hatályos előírásoknak megfelelő csöveket és tömítéseket használjon.

**⚠ FONTOS:** Ha acéltömlőt használ, úgy szerelje be, hogy az ne érjen hozzá a bútorzat mozdítható elemeihez (pl. fiókok). Olyan helyen kell a tömlőt átvezetni, ahol az semmilyen akadályba nem ütközik, és ahol a tömlőt teljes hosszában meg lehet vizsgálni szükség esetén.

**⚠** A készüléket az adott országban hatályos előírásoknak megfelelő módon kell a hálózati gázellátásra vagy a gázpalackra csatlakoztatni. A csatlakoztatás elvégzése előtt győződjön meg róla, hogy a készülék kompatibilis-e a használni kívánt gázellátással. Ha nem, kövesse a „Különböző fajta gázok használata” c. bekezdés utasításait.

**⚠** Miután csatlakoztatta a gázhálózathoz, szappanos vízzel ellenőrizze, nincs-e szivárgás valahol. Gyűjtsa be a gázrőzsákat, majd forgassa a gombokat nagy lángról (1. állás) kis lángra (2. állás), hogy ellenőrizze a láng stabilitását.

### **KÜLÖNBÖZŐ FAJTA GÁZOK HASZNÁLATA**

(Ezt a műveletet csak szakképzett szerelő végezheti).

**⚠** Annak érdekében, hogy a készüléket az eredetileg tervezett (lásd adattáblázat) gázoktól eltérő típusú gázokhoz is használni lehessen, kövesse az üzembe helyezési ábrákon bemutatott lépéseket.

### **ELEKTROMOS ÁRAMMAL KAPCSOLATOS FIGYELMEZTETÉSEK**

**⚠ FONTOS:** A készülék feszültség- és teljesítményadatait az adattábla tartalmazza.

**⚠** A csatlakoztatási szabályok szerint a tápkábelt jól hozzáférhetően kell elhelyezni úgy, hogy szükség esetén a készüléket ki lehessen húzni a hálózati áramforrásból, vagy egy többpólusú kapcsolóval azonnal le lehessen választani a hálózatról. A készüléket továbbá földelni kell az adott országban hatályos elektromos biztonsági szabványnak megfelelően.

**⚠** A tápkábelnek elég hosszúnak kell lennie ahhoz, hogy a házba beszerelt készülék csatlakoztatható legyen a hálózati aljzathoz. Ne húzza meg a tápkábelt.

**⚠** Ne használjon hosszabbítót, többcsatlakozós dugaljat vagy adaptert. Az elektromos alkatrészek nem lehetnek hozzáférhetőek az üzembe helyezés után. Ne használja a készüléket meztláb, és ne nyúljon hozzá nedves kézzel. Ne használja a készüléket, ha a tápkábel vagy a csatlakozódugó sérült, illetve ha a készülék nem működik megfelelően, megsérült vagy leejtették.

**⚠** Ha a hálózati kábel sérült, azt az áramütési kockázat elkerülése érdekében a gyártóval, a gyártó szervizképviselőjével vagy hasonlóan képzett személlyel kell egy azonos kábelre kicseréltetni.


### **TISZTÍTÁS ÉS KARBANTARTÁS**

**⚠ VIGYÁZAT!** Bármilyen karbantartási művelet előtt győződjön meg arról, hogy a készüléket kikapcsolta és kihúzta a konnektorból. Az áramütés elkerülése érdekében soha ne használjon gőznyomással működő tisztítókészüléket.

**⚠** Ne használjon súroló- vagy korrozív szereket, klóros tisztítószereket vagy dörzsszivacsot.

**⚠** Az elektromos szikragyújtó berendezés sérülésének elkerülése érdekében ne használja a berendezést, ha a gázrőzsák nincsenek a helyükön.

### **A CSOMAGOLÓANYAGOK HULLADÉKELHELYEZÉSE**


A csomagolóanyagok 100%-ban újrahasznosíthatók, és el vannak látva az újrahasznosítás jelével: 

Ezért a csomagolás különböző részeit felelősen és környezettudatosan, a helyi előírásoknak megfelelően kell hulladékként elhelyezni.

### **HÁZTARTÁSI KÉSZÜLÉKEK LESELEJTÉSE**

Ez a készülék újrahasznosítható vagy újrafelhasználható anyagok felhasználásával készült. A készüléket a helyi hulladékkezelési szabályoknak megfelelően selejtezze le. Az elektromos háztartási készülékek kezelésére, hasznosítására és újrafeldolgozására vonatkozó további információkért forduljon az illetékes helyi hatósághoz, a háztartási hulladékok begyűjtését végző vállalathoz vagy az üzlethez, ahol a készüléket vásárolta. Ez a berendezés az elektromos és elektronikus berendezések hulladékairól szóló 2012/19/EU irányelvnek, illetve az elektromos és elektronikus berendezések hulladékairól szóló 2013. évi (módosított) előírásoknak megfelelően került megjelölésre.

A hulladékká vált termék szabályszerű elhelyezésével Ön segít elkerülni a környezettel és az emberi egészséggel kapcsolatos negatív következményeket.

A terméken vagy a kísérő dokumentumokon található  jel azt jelzi, hogy a készüléket nem szabad háztartási hulladékként kezelni, hanem az elektromos és elektronikai készülékeknek megfelelő gyűjtőhelyen kell leadni.

### **ENERGIATAKARÉKOSSÁGI TANÁCSOK**

Olyan edényeket használjon, amelyek aljának mérete megegyezik a főzőzóna méretével.

Kizárólag lapos aljú edényeket használjon.

Ha lehetséges, a főzés során fedje le az edényeket.

Az energia- és időmegtakarítás érdekében használjon kuktát.

### **MEGFELELŐSÉGI NYILATKOZAT**

A környezettudatos tervezésre vonatkozó 66/2014/EU rendelet irányelveinek, valamint a környezettudatos tervezésre és energiacímkezésre vonatkozó (módosított) (EU Exit) 2019-es rendelet irányelveinek, az EN 30-2-1 európai szabvánnyal összhangban.



| Használt gáz típusa                  | Gáزرózsza típusa | A befecskendő jelölése | Névleges termikus áram kW | Névleges fogyasztás | Csökkentett hőkapacitás kW | Gáznyomás mbar |       |      |
|--------------------------------------|------------------|------------------------|---------------------------|---------------------|----------------------------|----------------|-------|------|
|                                      |                  |                        |                           |                     |                            | min.           | névl. | max. |
| FÖLDGÁZ<br>(Metán) <b>G20</b>        | Közepes (SR)     | 92 A                   | 1,65                      | 157 l/óra           | 0,40                       | 20             | 25    | 33   |
|                                      | Kiegészítő (AUX) | 74 A                   | 1,00                      | 95 l/óra            | 0,40                       |                |       |      |
|                                      | 2 Gyűrűs (DC)    | 132 H3                 | 3,30                      | 314 l/óra           | 2,20                       |                |       |      |
| FÖLDGÁZ<br><b>G25.1</b>              | Közepes (SR)     | 100 A                  | 1,65                      | 183 l/óra           | 0,40                       | 18             | 25    | 33   |
|                                      | Kiegészítő (AUX) | 81                     | 1,00                      | 111 l/óra           | 0,40                       |                |       |      |
|                                      | 2 Gyűrűs (DC)    | 140 F3                 | 3,30                      | 365 l/óra           | 2,20                       |                |       |      |
| FOLYÉKONY GÁZ<br>(Bután) <b>G30</b>  | Közepes (SR)     | 66 A                   | 1,65                      | 120 g/óra           | 0,40                       | 20             | 30    | 35   |
|                                      | Kiegészítő (AUX) | 50                     | 1,00                      | 73 g/óra            | 0,40                       |                |       |      |
|                                      | 2 Gyűrűs (DC)    | 91                     | 3,30                      | 240 g/óra           | 2,20                       |                |       |      |
| FOLYÉKONY GÁZ<br>(Propán) <b>G31</b> | Közepes (SR)     | 66 A                   | 1,65                      | 118 g/óra           | 0,40                       | 20             | 30    | 35   |
|                                      | Kiegészítő (AUX) | 50                     | 1,00                      | 71 g/óra            | 0,40                       |                |       |      |
|                                      | 2 Gyűrűs (DC)    | 91                     | 3,30                      | 236 g/óra           | 2,20                       |                |       |      |

| Használt gáz típusa  | Kivitel 4 ÉGŐFEJ | Névleges áramlási sebesség (kW) | Teljes névleges fogyasztás | 1m <sup>3</sup> gáz elégetéséhez szükséges levegő (m <sup>3</sup> ) |
|----------------------|------------------|---------------------------------|----------------------------|---|
| <b>G20</b> 25 mbar   | 2SR - 1AUX - 1DC | 7,60                            | 724 l/óra                  | 9,52  |
| <b>G25.1</b> 25 mbar | 2SR - 1AUX - 1DC | 7,60                            | 841 l/óra                  | 8,187   |
| <b>G30</b> 30 mbar   | 2SR - 1AUX - 1DC | 7,60                            | 553 g/óra                  | 30,94   |
| <b>G31</b> 30 mbar   | 2SR - 1AUX - 1DC | 7,60                            | 543 g/óra                  | 23,80   |

**ELEKTROMOS HÁLÓZAT: 220-240 V ~ 50-60 Hz - 1,1 W**

\*Amennyiben a készüléket Magyarországon szeretné használni, a már összeszerelt fűvókákat (G20 - 20 mbar) a magyarországi szabályozásoknak megfelelően kell kicserélni, erről a Felhasználó útmutatóban tájékozódhat. A fűvókacserét szakembernek kell végeznie. A Készülékhez Nem Mellékelt Befecskendezők A Vevőszolgálatától Kell Rendelni.

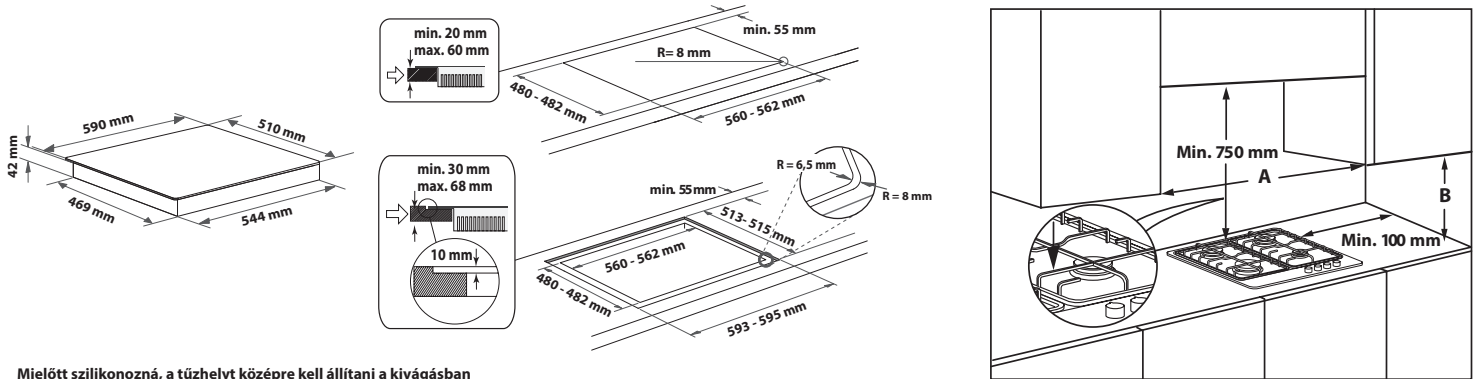


## BESZERELÉS (3. OSZTÁLY)

### MŰSZAKI INFORMÁCIÓK A BESZERELÉST VÉGZŐ SZAKEMBER SZÁMÁRA

- A termék kezelése, illetve beszerelése során használjon védőkesztyűt.
- A terméket 20–60 mm vastag munkalapba lehet beépíteni, szabványos telepítéssel. Süllyesztett szereléshez  $30 \div 68$ .
- Ha nem szerel be sütőt a főzőlap alá, illesszen be egy elválasztólapot, amely legalább akkora felületű, mint a kivágott munkalap felülete. A lapot maximum 150 mm-rel a felső munkalap alá kell beszerelni úgy, hogy ne legyen 20 mm-nél tovább a főzőlap aljától. Ha sütőt is szeretne beszerelni a főzőlap alá, olyat válasszon, amely hűtőrendszerrel is el van látva.

### MÉRETEK ÉS TÁVOLSÁGOK, AMELYEKET BE KELL TARTANI



Mielőtt szilikonozná, a tűzhelyt középre kell állítani a kivágásban

**MEGJEGYZÉS:** ha a faliszekrényektől mért „A” távolság 600 mm és 730 mm között van, akkor a „B” magasságnak legalább 530mm-nek kell lennie.

Ha a faliszekrényektől mért „A” távolság nagyobb, mint a főzőfelület szélessége, akkor a „B” magasságnak legalább 400mm-nek kell lennie. Ha elszívót is szerel a főzőlap fölé, a megfelelő beszerelési távolságokkal kapcsolatban tekintse meg az elszívó útmutatóját.

### ÖSSZESZERELÉS

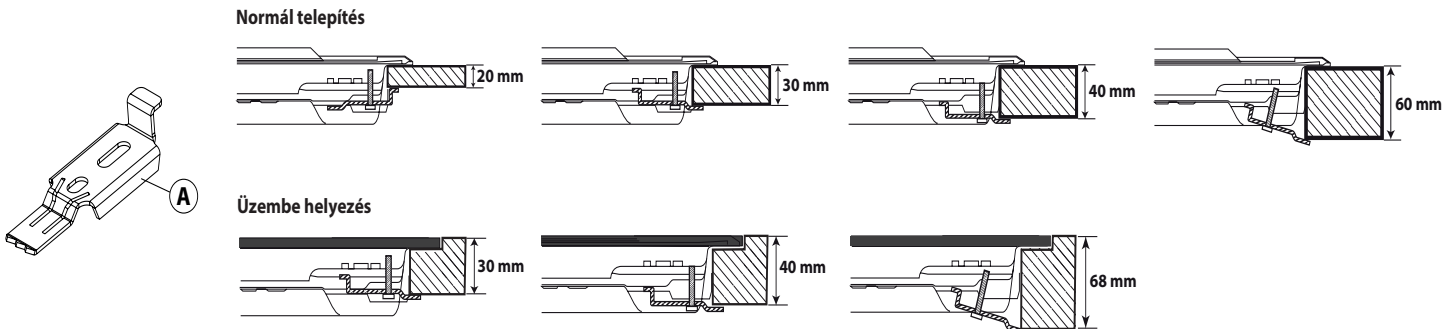
A kerületi felület megtisztítása után illessze a mellékelt tömítést a főzőlapra az ábrán látható módon.

Helyezze a főzőlapot a munkafelületen kialakított nyílásba. Ügyeljen az utasításokban megadott méretekre.



**MEGJEGYZÉS:** a tápkábelnek elég hosszúnak kell lennie ahhoz, hogy ki lehessen húzni felülről.

A főzőlap rögzítéséhez használja a mellékelt rögzítőszerelvényeket (A). Illessze a rögzítőszerelvényeket a nyílak által jelzett megfelelő furatokba, majd rögzítse őket a csavarokkal a munkalap vastagságának megfelelően (lásd a következő ábrákat).

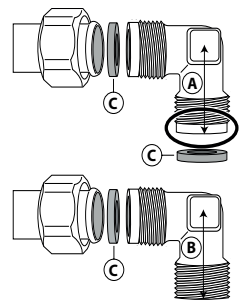


### GÁZCSATLAKOZÁS

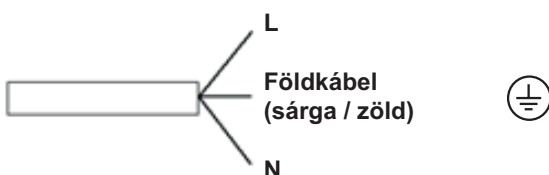
- Az EN 549 előírásainak megfelelően csatlakoztassa a mellékelt derékszögű csatlakozót (A)\* vagy (B)\* a fő bemeneti csőhöz, és helyezze be a mellékelt alátétet (C).

\* **Franciaországban az (A) derékszögű csatlakozó, a többi országban a (B) derékszögű csatlakozó használatos.**

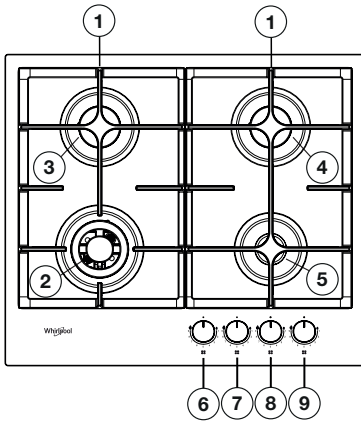
- Miután csatlakoztatta a gázhálózathoz, szappanos vízzel ellenőrizze, nincs-e szivárgás valahol. Gyújtsa be a gáزرózsákat, majd a gombokat a maximumról a minimumra forgatva ellenőrizze a láng stabilitását.



### ELEKTROMOS CSATLAKOZTATÁS





# TERMÉKLEÍRÁS



1. Eltávolítható edénytartó rácsok
2. 2 Gyűrűs gázzórsa
3. Közepes gázzórsa
4. Közepes gázzórsa
5. Kiegészítő gázzórsa
6. A 2 Gyűrűs gázzórsa szabályozógombja
7. A közepes gázzórsa szabályozógombja
8. A közepes gázzórsa szabályozógombja
9. A kiegészítő gázzórsa szabályozógombja

## Szimbólumok

- Árnyékolt kör ● Csap zárva
- Nagy láng  Maximális fokozat/adagolás és szikragyújtás
- Kis láng  Minimális fokozat vagy csökkentett adagolás



# NAPI HASZNÁLAT

## A FŐZŐLAP HASZNÁLATA

 Ne hagyja, hogy a gázzórsa lángja tovább érjen az edény szélénél.

**FONTOS! a főzőlap működésekor a főzőlap teljes felülete meleggé válhat.**

- Egy gázzórsa meggyújtásához fordítsa el a megfelelő gombot az óramutató járásával ellentétes irányba a maximális láng beállításig.
- Nyomja be a gombot a vezérlőpanel felé.
- Miután a gázzórsa begyullad, tartsa nyomva a gombot körülbelül 5–10 másodpercig a megfelelő működés érdekében.
- A gázzórsa biztonsági eszköze elzárja a rózsa gázellátását, ha a láng véletlenül megszűnik (huzat, kiömlő folyadék, a gázszolgáltatásban bekövetkező zavar stb. miatt).
- A gombot nem szabad 15 másodpercnél tovább benyomva tartani. Ha ez az idő eltelt, és a gázzórsa nem marad égve, várjon legalább egy percet, majd próbálja meggyújtani újra.

**MEGJEGYZÉS: ha esetleg a helyi gázszolgáltatási körülmények miatt nehézségekbe ütközik a gázzórsa begyújtása, próbálja begyújtani úgy, hogy kis lángra állítja a gombot.**

**Elképzelhető, hogy a gázzórsa kialszik, amikor elengedi a gombot.** Ez azt jelenti, hogy a biztonsági eszköz még nem melegeedett be kellőképpen. Ebben az esetben ismételje meg a fenti lépéseket.

A gázégő lángjának véletlen kialvása esetén forgassa kikapcsolt helyzetbe a tekerőgombot, majd 1 perc elteltével próbálkozzon meg az újragyújtással.

## A GÁZZRÓZSÁKKAL KAPCSOLATOS GYAKORLATI TANÁCSOK

A gázzórsák átmérője különböző. A jobb teljesítmény érdekében tartsa be az alábbi szabályokat:

- olyan lábasokat és serpenyőket használjon, amelyek ugyanakkorák vagy kicsit nagyobbak, mint a gázzórsák (lásd a jobb oldali táblázatot);
- csak lapos fenekű lábasokat és serpenyőket használjon;
- az ételkészítéshez megfelelő mennyiségű vizet használjon, és fedje le a lábást;
- a lábasok ne érjenek túl a főzőlap szélén;
- ha olyan serpenyőt használ, amelynek nem teljesen lapos az alja (pl. wok), használja a kiegészítő rácsot (nincs a csomagban), amelyet a többgyűrűs gázzórsára kell helyezni;
- kerülje az edényekhez, rácsokhoz vagy egyéb konyhai eszközökhöz való ütközést;
- ne hagyja 5 percnél tovább az üres rostélyokat az égő tűzhelyen.

**FONTOS! a rácsok nem megfelelő használata sérülést okozhat a főzőlapon: ne használja a rácsokat fordítva, és ne húzza őket a főzőlapon.**

| GÁZZRÓZSA  | EDÉNY Ø    |
|------------|------------|
| 2 Gyűrűs   | 24 - 26 cm |
| Közepes    | 16 - 22 cm |
| Kiegészítő | 8 - 14 cm  |

Ne használja a következőket:

- öntöttvas serpenyőket, római tálakat, terrakottaedényeket;
- hőelosztó eszközöket, például fémhálót vagy bármilyen más hálót;
- két gázzórsát egyidejűleg egy edényhez (pl. halfőző edény).

A forró főzőlaphoz kerülő folyadék következtében az üveg megsérülhet.

## KOMPATIBILITÁS KÜLÖNBÖZŐ FAJTA GÁZOKKAL

 Ezt a műveletet villanyszerelőnek kell végeznie.

Ha a készüléket az adattáblán és a főzőlap tetején található tájékoztatócímkén feltüntetett gáztípustól eltérő gázzal szeretné használni, cserélje ki a befecskendezőt.

Távolítsa el a tájékoztatócímkét, és őrizze meg a kézikönyvvel együtt.

**Az útmutatóban megjelölt gáznomáshoz megfelelő nyomásszabályozókat használjon:**

- A gázbefecskendezőt csak a hivatalos szervizzel vagy más szakemberrel szabad cseréltetni;
- A készülékhez nem mellékelt befecskendezőt a vevőszolgálattól kell rendelni;
- Állítsa a csapokat a minimális értékre.

**MEGJEGYZÉS: folyékony petróleumgáz esetén (G30/G31) a minimális gázbeállítás csavarját addig kell meghúzni, amíg csak lehet.**

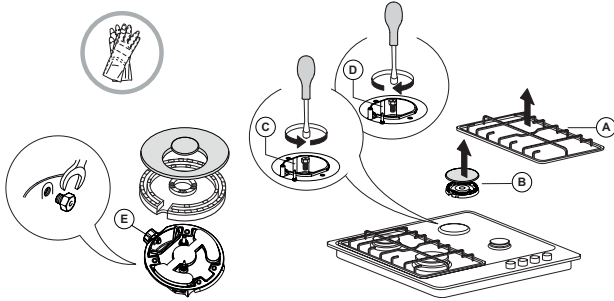
**FONTOS! ha nehézségekbe ütközik a gázzórsák gombjainak működtetése közben, vegye fel a kapcsolatot a vevőszolgálattal, és amennyiben a gázzórsa csapja hibásnak bizonyul, rendeljen újat.**

**FONTOS! Ha gázipalackot használ, a palackot megfelelően kell beállítani (függőleges helyzetben).**

## A BEFECSKENDEZŐK CSERÉJE (lásd az befecskendezők ről szóló táblázatot az Biztonsági utasítások)

⚠ Ezt a műveletet villanszerelőnek kell végeznie.

- Távolítsa el a rácsokat (A).
- Vegye ki a gázrőzsákat (B).
- Egy megfelelő méretű csőkulcs használatával csavarozza ki a kicserélendő befecskendezőt (C).
- Illessze be a gáztípusnak megfelelő befecskendezőt.
- Szerelje be a befecskendezőt (D).
- Ha többszörös gázrőzsát használ, a befecskendező kicseréléséhez használjon villáskulcsot (E).



A főzőlap beszerelése előtt rögzítse a befecskendezőhöz mellékelt gázkalibrációs lemezt úgy, hogy lefedi a gázkalibrálással kapcsolatos már meglévő információkat.

## A CSAPOK MINIMÁLIS GÁZBEÁLLÍTÁSA

⚠ Ezt a műveletet villanszerelőnek kell végeznie.

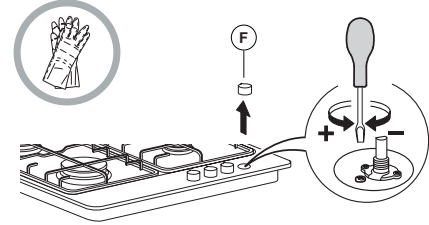
A beállítást úgy kell elvégezni, hogy a csap a minimális gázbeállításon legyen (kis láng) ⚡.

A gázrőzsák elsődleges levegőjét nem kell beállítani.

A megfelelő beállítás érdekében távolítsa el a gombot (F), és tegye a következőket:

- húzza meg a csavart a lángmagasság csökkentése érdekében (-);
- lazítsa meg a csavart a lángmagasság növelése érdekében (+).

Ezen a ponton, kapcsolja be a gázrőzsákat, forgassa a gombokat a maximumból a minimumra ⚡, hogy ellenőrizni tudja a láng stabilitását.



A beállítás végeztével tömítsen újra tömítőviasszal vagy azzal egyenértékű anyaggal.

## TÖBB FOKOZATÚ LÁNG

| SZINT | ÉTELKÉSZÍTÉSI MÓD<br>(A KÖVETKEZŐKHOZ AJÁNLOTT) | ÉTELKÉSZÍTÉSI TANÁCSOK  |
|-------|---|---|
| 1-2   | MELEGEN TARTÁS                                  | Ideális vaj lágyításához, csokoládé óvatos olvasztásához vízgőz felett, kis adagok kiolvasztásához, rizottó krémesre főzéséhez.                             |
|       | KÍMÉLETES FŐZÉS                                 |   |
| 3-4   | GYÖNGYÖZTETÉS                                   | Ideális lassú főzéshez (rizs, mártások, sütek, hal) kísérő folyadékokkal (víz, bor, húslé, tej) és tészta elkeveréséhez, folyamatos gyöngyöztetéshez.       |
|       | PÁROLÁS   |   |
| 5-6   | SÜTÉS   | Ideális hirtelen sütéshez, zöldségek párolásához, hosszabb ideig tartó főzéshez, tartozékok előmelegítéséhez, krémesre főzéshez.                            |
|       | OLAJBAN SÜTÉS                                   |   |
| 7-8   | RÁZVA PIRÍTÁS                                   | Ideális pirításhoz, sütés megkezdéséhez, folyadékok gyors felforralásához, mélyhűtött termékek sütéséhez, hal és hús grillezéséhez, folyamatos forraláshoz. |
|       | GRILLEZÉS                                       |   |
| 9     | GYORS MELEGÍTÉS                                 | Ideális az étel hőmérsékletének gyors emeléséhez vagy folyadékok (víz) gyors felmelegítéséhez.  |

## KARBANTARTÁS ÉS TISZTÍTÁS

⚠ Válassza le a készüléket az áramforrásról.

### A FŐZŐLAP FELÜLETÉNEK TISZTÍTÁSA

- A zománcozott és üvegrészeket meleg vízzel és semleges oldattal tisztítsa.
- A rozsdamentes acél felületeket foltossá teheti a meszes víz vagy az agresszív tisztítószer, ha hosszú időn keresztül érintkeznek velük. A folyadékcseppeket (víz, szósz, kávé stb.) le kell törölni, még mielőtt megszáradnának.
- Meleg vízzel és semleges tisztítószerrel tisztítsa meg, majd szárítsa meg a felületet egy puha ronggyal vagy bőrkendővel. Az odaégett ételmaradékokat a rozsdamentes acél felületekhez ajánlott tisztítószerrel távolítsa el.

**MEGJEGYZÉS: a rozsdamentes acél felület tisztításához csak puha rongyot vagy szivacsot használjon.**

- Ne használjon súroló- vagy korrozív szereket, klóros tisztítószerket vagy dörzsszivacsot.
- Ne használjon gőznyomással működő tisztítóberendezéseket.
- Ne használjon gyúlékony termékeket.
- Ne hagyjon a tűzhelylapon savas vagy lúgos anyagokat, például ecetet, mustárt, sót, cukrot vagy citromlevet.

### A FŐZŐLAP ALKATRÉSZEINEK TISZTÍTÁSA

- Az üveg és zománcozott részek tisztításához puha rongyot vagy szivacsot használjon.
- A rácsok, a gázrőzsasapkák és a gázrőzsák tisztítás céljából eltávolíthatók.
- Tisztítsa meg őket kézzel, meleg vízzel és nem súrolóhatású tisztítószerrel, távolítsa az ételmaradékokat, és ellenőrizze, hogy a gázrőzsák nyílásai nincsenek-e eltömődve.
- Öblítse le, majd szárítsa meg őket.
- **Az öntöttvas rácsok mosogatógépben is tisztíthatók. Távolítsa el minden odaégett ételt, mielőtt a rácsot a mosogatógép legalsó rekeszébe helyezi.**
- Illessze vissza a gázrőzsákat és a gázrőzsasapkákat pontosan a helyükre.
- A rács visszahelyezésekor ügyeljen arra, hogy az edénytartó terület jól illeszkedjen a gázrőzsához.
- Az elektromos szikragyújtással és biztonsági eszközzel felszerelt típusokat alaposan meg kell tisztítani a szikragyújtó csatlakozója körül a megfelelő működés érdekében. Gyakran ellenőrizze ezeket az alkatrészeket, és ha szükséges, tisztítsa meg őket egy nedves ronggyal. A rásült ételmaradékokat el kell távolítani egy fogpiszkálóval vagy tűvel.

**MEGJEGYZÉS: az elektromos szikragyújtó berendezés sérülésének elkerülése érdekében ne használja a berendezést, ha a gázrőzsák nincsenek a helyükön.**



## A PROBLÉMÁK MEGOLDÁSA

Ha a főzőlap nem megfelelően működik, tekintse meg a hibaelhárítási útmutatót a probléma meghatározásához, és csak ezután vegye fel a kapcsolatot a vevőszolgálattal.

### 1. A gázzórsák nem égnek, vagy a láng nem egyenletes

Ellenőrizze a következőket:

- A gáz- vagy áramellátás nincs elzárva, és a gázcsap nyitva van.
- A gázpalack (folyékony gáz) nem üres.
- A gázzórsa nyílásai nincsenek eltömődve.
- A dugasz vége nem szennyezett.
- A gázzórsa minden alkatrésze megfelelő helyzetben van.
- Nincs huzat a főzőlap közelében.

### 2. A gázzórsa nem marad égve

Ellenőrizze a következőket:

- A gázzórsa meggyújtásakor a gombot megfelelő ideig nyomva tartotta, így a védőrendszer aktiválódott.
- A gázzórsa nyílásai nincsenek eltömődve a termoelem közelében.
- A biztonsági eszköz vége nem koszos.
- A gáz minimális beállítása megfelelő (lásd az erről szóló részt).

### 3. Az edény nem áll stabilan

Ellenőrizze a következőket:

- Az edény alja teljesen lapos.
- A gázzórsa az edény közepén helyezkedik el.
- A rácsok nincsenek felcserélve, illetve megfelelő helyen állnak.

Ha a fenti ellenőrzések után a hiba még mindig fennáll, lépjen kapcsolatba a legközelebbi vevőszolgálattal.

## VEVŐSZOLGÁLAT

Ahhoz, hogy átfogóbb támogatásban részesüljön, kérjük, regisztrálja készülékét a [www.whirlpool.eu/register](http://www.whirlpool.eu/register) oldalon.

### MIELŐTT A VEVŐSZOLGÁLATOT HÍVNA:

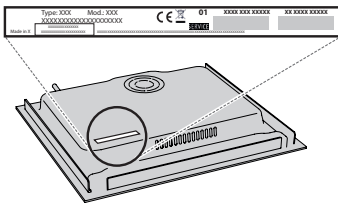
1. Ellenőrizze, hogy a probléma megoldható-e a **HIBAEELHÁRÍTÁS** részben ismertetett javaslatok segítségével.
2. Kapcsolja ki, majd kapcsolja be újra a készüléket, hogy lássa, fennáll-e még a hiba.

### HA A FENTI LÉPÉSEK ELVÉGZÉSE UTÁN A HIBA TOVÁBBRA IS FENNÁLL, LÉPJEN KAPCSOLATBA A HELYI VEVŐSZOLGÁLATTAL.

Ha segítségre van szüksége, hívja a garanciafüzetben található telefonszámot, vagy kövesse a weboldalon ([www.whirlpool.eu](http://www.whirlpool.eu)) megadott utasításokat.

Ha a vevőszolgálathoz fordul, minden esetben meg kell adnia a következő adatokat:

- a hiba rövid leírását;
- a sütő pontos modelljét és típusát;



- sorozatszám (az SN szó utáni szám a készülék alatt található adattáblán). A sorozatszámot a dokumentáció is megadja;



Mod. XXX XXX

Ind.C. XXXX XXXX XXXX

Prod.N. 86999XXXXXXXX S.N. XXXX XXXX XXXX

- a teljes címét;
- a telefonszámát.

Ha bármilyen javításra van szükség, kérjük, hogy a hivatalos vevőszolgálathoz forduljon (annak biztosítása érdekében, hogy eredeti alkatrészeket használjanak, és a javításokat megfelelően végezzék el).

# INSTRUCȚIUNI PRIVIND SIGURANȚA

## IMPORTANT: TREBUIE CITITE ȘI RESPECTATE

Descărcați manualul cu instrucțiuni complet de pe site-ul <http://docs.whirlpool.eu> sau sunați la numărul indicat pe certificatul de garanție.

⚠ Aceste instrucțiuni sunt valabile numai dacă simbolul țării în care este utilizat aparatul este prezent pe acesta. Dacă simbolul corespunzător nu este prezent pe acesta, este necesar să consultați instrucțiunile tehnice, deoarece acestea conțin instrucțiunile necesare privind modificarea aparatului în funcție de condițiile de utilizare specifice țării respective.

⚠ ATENȚIE: Utilizarea unui aparat de gătit cu funcționare pe gaz are ca rezultat generarea de căldură, umiditate și produși combustibili în încăperea în care acesta este instalat. Asigurați-vă că bucătăria este bine ventilată, mai ales atunci când aparatul este în funcțiune: mențineți deschise orificiile de aerisire sau instalați un dispozitiv de ventilare mecanică (hotă cu extracție mecanică). Utilizarea intensivă și îndelungată a aparatului ar putea impune necesitatea unei ventilări suplimentare, de exemplu, deschiderea ferestrei sau o modalitate mai eficientă de ventilare, prin creșterea nivelului de ventilarea mecanică atunci când este cazul.

⚠ Nerespectarea cu exactitate a instrucțiunilor din acest manual poate duce la incendiu sau explozie, care se soldează cu pagube materiale sau vătămări corporale. Înainte de a utiliza aparatul, citiți aceste instrucțiuni privind siguranță. Păstrați-le la îndemână pentru a le putea consulta și pe viitor.

Aceste instrucțiuni și aparatul în sine furnizează avertismente importante privind siguranță, care trebuie respectate întotdeauna. Producătorul nu își asumă nicio răspundere pentru nerespectarea acestor instrucțiuni de siguranță, pentru utilizarea necorespunzătoare a aparatului sau pentru setarea incorectă a butoanelor de comandă.

⚠ AVERTISMENT: Aparatul și părțile sale accesibile se înfierbântă în timpul utilizării. Trebuie evitată atingerea elementelor fierbinți. Copiii cu vârste mai mici de 8 ani nu trebuie lăsați să se apropie de aparat, cu excepția cazurilor în care sunt supravegheați în permanentă.

⚠ AVERTISMENT: Dacă suprafața plitei este crăpată, nu folosiți aparatul – risc de electrocutare.

⚠ AVERTISMENT: Pericol de incendiu: Nu depozitați obiecte pe zonele de gătit.

⚠ ATENȚIE: Procesul de preparare trebuie să fie supravegheat. Un proces de preparare care durează puțin trebuie să fie supravegheat în permanentă.

⚠ AVERTISMENT: Prepararea la plită cu grăsime sau ulei poate fi periculoasă - risc de incendiu. Nu încercați NICIODATĂ să stingeți un incendiu folosind apă: trebuie să opriți aparatul și apoi trebuie să acoperiți flacăra, de exemplu cu un capac sau cu o pătură ignifugă.

⚠ Nu utilizați plita ca suprafață de lucru sau suport. Nu amplasați articole vestimentare sau alte materiale inflamabile lângă aparat până când nu s-au răcit complet toate componentele acestuia - pericol de incendiu.

⚠ Nu lăsați aparatul la îndemâna copiilor foarte mici (0-3 ani). Nu lăsați aparatul la îndemâna copiilor mici (3-8 ani) decât dacă sunt supravegheați în permanentă. Copiii cu vârsta de peste 8 ani și persoanele cu capacități fizice, senzoriale sau mintale reduse sau fără experiență și cunoștințe pot folosi acest aparat doar dacă sunt supravegheate sau au fost instruite cu privire la utilizarea în siguranță și înțeleg riscurile implicate. Copiii nu trebuie să se joace cu aparatul. Curățarea și întreținerea nu trebuie să fie efectuate de către copii fără a fi supravegheați.

⚠ ATENȚIE: În cazul spargerii sticlei plitei: închideți imediat toate arzătoarele și toate rezistențele electrice și deconectați aparatul de la sursa de alimentare; nu atingeți suprafața aparatului; nu utilizați aparatul.

Capacul din sticlă se poate sparge dacă este încălzit excesiv. Opriti toate arzătoarele și plăcile electrice înainte de a închide capacul. Nu închideți capacul dacă arzătorul este aprins.

### UTILIZAREA PERMISĂ

⚠ ATENȚIE: aparatul nu trebuie să fie pus în funcțiune prin intermediul unui comutator extern, precum un temporizator, sau al unui sistem de comandă la distanță separat.

⚠ Acest aparat este proiectat pentru a fi utilizat în locuințe, precum și în alte spații similare, precum: bucătării destinate personalului din magazine, birouri și alte spații de lucru; ferme; de către clienții din hoteluri, moteluri, unități de cazare de tip "Bed and breakfast" și alte spații rezidențiale.

⚠ Orice altă utilizare este interzisă (de ex. încălzirea încăperilor).

⚠ Acest aparat nu este destinat utilizării în scop profesional. Nu utilizați aparatul în aer liber.

⚠ Utilizați oale și cratițe cu diametrul bazei egal sau puțin mai mare decât diametrul arzătoarelor (consultați tabelul specific). Aveți grijă ca vasele de gătit așezate pe grătare să nu iasă în afara marginilor plitei.

⚠ Utilizarea necorespunzătoare a grătarelor poate duce la deteriorarea plitei: nu așezați grătarele cu susul în jos și nu le târați pe suprafața plitei.

Aveți grijă ca flacăra arzătorului să nu se extindă dincolo de marginea vasului. Dacă suprafața plitei este fabricată din sticlă, nu utilizați tigăi din fontă, plăci de piatră pentru gătit, oale și cratițe din teracotă.

Nu utilizați: Difuzoare de căldură, de tipul plaselor metalice sau de alte tipuri. Două arzătoare în același timp pentru un singur vas (de ex. o tavă de gătit pește). În cazul în care condițiile locale specifice de distribuire a gazelor fac ca aprinderea arzătorului să fie dificilă, este indicat să repetați operația cu butonul rotit la poziția pentru flacăra mică.

În cazul instalării unei hote deasupra plitei, consultați instrucțiunile care însoțesc hota pentru a identifica distanțele corecte de montare. Piciorușele de protecție din cauciuc de sub grătare ar putea fi înghițite de copii, reprezentând astfel un pericol de sufocare. După îndepărtarea grătarelor, vă rugăm să vă asigurați că toate piciorușele sunt montate corect.

## INSTALAREA

⚠ Manevrarea și instalarea aparatului trebuie să fie efectuate de două sau mai multe persoane - risc de rănire. Folosiți mănuși de protecție la despachetare și instalare - risc de tăiere.

⚠ Conexiunile electrice și racordurile pentru gaz trebuie să fie efectuate în conformitate cu normele locale.

⚠ Instalarea, inclusiv racordarea la rețeaua de alimentare cu apă (dacă este necesară) și la rețeaua de alimentare cu energie electrică, precum și reparațiile trebuie efectuate de un tehnician calificat. Nu reparați și nu înlocuiți nicio piesă a aparatului, dacă acest lucru nu este indicat în mod expres în manualul de utilizare. Nu lăsați copiii în apropierea zonei de instalare. După despachetarea aparatului, asigurați-vă că acesta nu a fost deteriorat în timpul transportului. Dacă apar probleme, contactați distribuitorul sau cel mai apropiat serviciu de asistență tehnică post-vânzare. Odată instalat aparatul, deșeurile de ambalaje (bucăți de plastic, polistiren etc.) nu trebuie lăsate la îndemâna copiilor - risc de asfixiere. Înainte de orice operație de instalare, aparatul trebuie să fie deconectat de la rețeaua de alimentare cu energie electrică - risc de electrocutare. În timpul instalării, aveți grijă ca aparatul să nu deterioreze cablul de alimentare - risc de incendiu sau de electrocutare. Activați aparatul numai atunci când instalarea a fost finalizată.

⚠ AVERTISMENT: Modificarea aparatului și a metodei de instalare a acestuia sunt esențiale în vederea utilizării corecte și în siguranță a aparatului în toate țările ale căror simboluri nu sunt specificate pe acesta.

⚠ Folosiți regulatoare de presiune potrivite pentru presiunea gazului precizată în instrucțiuni.

⚠ Încăperea trebuie să fie prevăzută cu un sistem de extracție a aerului care să elimine din incintă gazele combustibile.

⚠ De asemenea, în încăpere trebuie să fie permisă circulația liberă a aerului, deoarece acesta este absolut necesar pentru o ardere normală. Debitul de aer nu trebuie să fie de sub 2 m<sup>3</sup>/h per kW de putere instalată.

⚠ Sistemul de circulație a aerului poate extrage aerul direct din exterior prin intermediul unei conducte cu o secțiune transversală internă de cel puțin 100 cm<sup>2</sup>; deschiderea nu trebuie să fie blocată.

⚠ De asemenea, acest sistem poate asigura indirect aerul necesar pentru ardere, adică din încăperile adiacente prevăzute cu conducte de circulație a aerului, conform descrierii anterioare. Totuși, aceste încăperi nu trebuie să fie camere de zi, dormitoare sau să comporte riscul de izbucnire a unui incendiu.

⚠ Gazul petrolier lichefiat cade pe planșeu deoarece are o greutate mai mare decât cea a aerului. Astfel, încăperile în care se află butelii de GPL trebuie să fie de asemenea prevăzute cu orificii de aerisire pentru a se permite eliminarea gazului în cazul scurgerii acestuia. În consecință, buteliile de GPL, încărcate parțial sau complet, nu trebuie să fie instalate sau depozitate în

încăperi sau spații de depozitare aflate sub nivelul solului (pivnițe etc.). Este recomandat ca în încăpere să fie depozitată numai butelia utilizată, aceasta fiind poziționată într-un loc ferit de căldura produsă de sursele externe (cuptoare, șemineuri, sobe etc.) care ar putea determina creșterea temperaturii buteliei la o valoare de peste 50 °C.

Dacă întâmpinați dificultăți când rotiți butoanele arzătoarelor, vă rugăm să contactați Serviciul de asistență tehnică post-vânzare în vederea înlocuirii robinetului arzătorului dacă acesta este defect.

Deschiderile destinate ventilării și dispersiei căldurii nu trebuie să fie niciodată acoperite.

⚠ Executați toate operațiunile de decupare a mobilei înainte de a încorpora aparatul și înlăturați cu grijă toate așchiile din lemn și rumegușul.

⚠ În cazul în care aparatul nu este montat deasupra unui cuptor, trebuie să fie instalat un panou despărțitor (neinclus în dotarea aparatului) în compartimentul de sub acesta.

## RACORDAREA LA GAZ

⚠ AVERTISMENT: Înainte de instalare, asigurați-vă că condițiile de distribuție de la nivel local (tipul de gaz și presiunea gazului) sunt compatibile cu configurația aparatului.

⚠ Verificați dacă presiunea de alimentare cu gaz este conformă cu valorile specificate în tabelul „Specificații privind arzătorul și duza”.

⚠ AVERTISMENT: Valorile de reglare a aparatului sunt specificate pe etichetă (sau pe plăcuța cu date tehnice).

⚠ AVERTISMENT: Acest aparat nu este conectat la un dispozitiv de evacuare a produselor de ardere. Dispozitivul trebuie să fie instalat și conectat în conformitate cu normele în vigoare privind instalarea. Trebuie să se acorde o atenție deosebită cerințelor relevante privind ventilația.

⚠ Dacă aparatul este racordat la o sursă de alimentare cu gaz lichefiat, șurubul de reglare trebuie să fie strâns cât mai mult posibil.

⚠ IMPORTANT: Când se folosește alimentarea cu gaz de la butelia, butelia sau recipientul de gaz trebuie să fie așezate în mod adecvat (orientare verticală).

⚠ AVERTISMENT: Această operație trebuie să fie efectuată de un tehnician calificat.

⚠ Folosiți numai furtunuri metalice flexibile sau rigide pentru racordul de gaz.

⚠ Racord rigid (din cupru sau oțel) Racordul la sistemul de alimentare cu gaz trebuie să fie efectuat astfel încât să nu se exercite presiuni asupra aparatului. Pe rampa de alimentare a aparatului este prezent un racord în forma literei L reglabil, care este prevăzut cu o garnitură ce previne scurgerile. Garnitura trebuie să fie înlocuită întotdeauna după rotirea racordului (garnitura este livrată împreună cu aparatul). Racordul conductei de alimentare cu gaz este un racord 1/2 cilindric filetat de tip tată.

⚠ Racordarea unei țevi din oțel inoxidabil flexibile și fără sudură la un racord filetat Racordul conductei de alimentare cu gaz este un racord 1/2 cilindric filetat de tip tată. Țevile trebuie să fie instalate astfel încât să nu

aibă niciodată o lungime mai mare de 2000 mm atunci când sunt complet extinse. Odată ce a fost realizată racordarea, asigurați-vă că țevă metalică flexibilă nu intră în contact cu nicio componentă mobilă și că nu este presată. Utilizați numai țevi și garnituri care sunt conforme cu normele naționale.

**⚠ IMPORTANT:** Dacă se utilizează un furtun din oțel inoxidabil, acesta trebuie instalat astfel încât să nu atingă nicio componentă mobilă a mobilierului (de exemplu, un sertar). Acesta trebuie să treacă printr-o zonă în care nu există obstacole și care să permită examinarea furtunului pe toată lungimea sa.

**⚠** Aparatul trebuie să fie racordat la rețeaua de alimentare cu gaz sau la butelia de gaz în conformitate cu normele naționale. Înainte de a efectua racordarea, asigurați-vă că aparatul este compatibil cu tipul de gaz pe care doriți să îl utilizați. Dacă nu există compatibilitate, urmați instrucțiunile de la paragraful "Adaptarea pentru diferite tipuri de gaz".

**⚠** După racordarea la alimentarea cu gaz, verificați etanșeitatea folosind apă cu săpun. Aprindeți arzătoarele și rotiți butoanele de la poziția de maxim 1\* la poziția de minim 2\* pentru a verifica stabilitatea flăcării.

#### **ADAPTAREA PENTRU DIFERITE TIPURI DE GAZ**

(Această operațiune trebuie efectuată de un tehnician calificat).

**⚠** Pentru a adapta aparatul la un alt tip de gaz decât cel pentru care a fost fabricat acesta (indicat pe plăcuta cu date tehnice), urmați pașii corespunzători, indicați după desenele aferente instalării.

#### **AVERTISMENTE PRIVIND ALIMENTAREA CU ENERGIE ELECTRICĂ**

**⚠ IMPORTANT:** Informațiile despre consumul de curent și tensiune sunt furnizate pe plăcuța cu date tehnice.

**⚠** Aparatul trebuie să poată fi deconectat de la rețeaua electrică fie prin scoaterea ștecherului din priză (dacă ștecherul este accesibil), fie prin intermediul unui întrerupător multipolar situat în amonte de priză, în conformitate cu normele privind cablurile electrice, iar aparatul trebuie să fie împământat, în conformitate cu standardele naționale privind siguranța electrică.

**⚠** Cablul de alimentare trebuie să fie suficient de lung pentru a putea conecta aparatul la rețeaua de alimentare cu energie electrică, după ce a fost încastrat în mobilă. Nu trageți de cablul de alimentare.

**⚠** Nu utilizați prelungitoare, prize multiple sau adaptoare. După finalizarea instalării, componentele electrice nu trebuie să mai fie accesibile pentru utilizator. Nu utilizați aparatul dacă aveți părți ale corpului umede sau când sunteți desculți. Nu puneți în funcțiune acest aparat dacă are cablul de alimentare sau ștecherul deteriorat, dacă nu funcționează corespunzător sau dacă a fost deteriorat sau a căzut pe jos.

**⚠** Dacă este deteriorat cablul de alimentare, acesta trebuie înlocuit cu unul identic de către producător, agentul de service sau de o persoană calificată similară, pentru a se evita pericolele - pericol de electrocutare.


#### **CURĂȚAREA ȘI ÎNTREȚINEREA**

**⚠ AVERTISMENT:** Asigurați-vă că aparatul este oprit și deconectat de la rețeaua de alimentare electrică înainte de a efectua orice operație de întreținere; nu folosiți niciodată aparate de curățare cu aburi - risc de electrocutare.

**⚠** Nu utilizați produse abrazive sau corozive, produse pe bază de clor sau bureți de sârmă pentru vase.

**⚠** Pentru a evita deteriorarea dispozitivului de aprindere electrică, nu-l folosiți atunci când arzătoarele nu sunt în locașurile lor.

#### **ELIMINAREA AMBALAJULUI**


Ambalajul este reciclabil în proporție de 100% și este marcat cu simbolul reciclării .

Prin urmare, diferitele părți ale ambalajului trebuie eliminate în mod corespunzător și în conformitate cu normele stabilite de autoritățile locale privind eliminarea deșeurilor.

#### **ELIMINAREA APARATELOR ELECTROCASNICE**

Acest aparat este fabricat cu materiale reciclabile sau reutilizabile. Eliminați-l în conformitate cu normele locale referitoare la eliminarea deșeurilor. Pentru informații suplimentare referitoare la tratarea, valorificarea și reciclarea aparatelor electrocasnice, contactați autoritățile locale competente, serviciul de colectare a deșeurilor menajere sau magazinul de unde ați achiziționat aparatul. Acest aparat este marcat în conformitate cu Directiva europeană 2012/19/UE privind deșeurile de echipamente electrice și electronice (DEEE) și cu reglementările din 2013 privind deșeurile de echipamente electrice și electronice (astfel cum au fost modificate).

Asigurându-vă că acest produs este eliminat în mod corect, contribuiți la prevenirea consecințelor negative asupra mediului înconjurător și sănătății persoanelor.

Simbolul  de pe produs sau de pe documentele care îl însoțesc indică faptul că acest aparat nu trebuie eliminat ca deșeu menajer, ci trebuie predat la un centru de colectare corespunzător, pentru reciclarea echipamentelor electrice și electronice.

#### **RECOMANDĂRI PRIVIND ECONOMISIREA ENERGIEI**

Utilizați oale și cratițe cu diametrul bazei egal cu cel al zonei de gătit.

Utilizați numai oale și cratițe cu baza plată.

Când gătiți, pe cât posibil, lăsați oalele acoperite cu capacul.

Utilizați o oală sub presiune pentru a reduce și mai mult consumul de energie și durata de preparare.

#### **DECLARAȚIE DE CONFORMITATE**

Acest aparat îndeplinește Cerințele de proiectare ecologică prevăzute de Regulamentul european nr. 66/2014, precum și Regulamentele din 2019 (leșire UE) (Amendamentul) privind informațiile energetice și proiectarea ecologică aplicabilă produselor cu impact energetic, în conformitate cu Standardul european EN 30-2-1.



| Tip de gaz utiliza                                | Tip de arzător         | Marcaj injector | Capacitate termică nominală<br>kW | Consum nomina | Capacitate termică redusă<br>kW | Presiune gaz<br>mbar |      |      |
|---|------------------------|-----------------|-----------------------------------|---------------|---------------------------------|----------------------|------|------|
|   |                        |                 |                                   |               |                                 | min.                 | nom. | max. |
| GAZE NATURALE<br>(Metan) <b>G20</b>               | Semi-rapid (SR)        | 97 A            | 1,65                              | 157 l/h       | 0,40                            | 17                   | 20   | 25   |
|   | Auxiliary (AUX)        | 78 A            | 1,00                              | 95 l/h        | 0,40                            |                      |      |      |
|   | 2 inele de ardere (DC) | 140 H1          | 3,50                              | 333 l/h       | 2,20                            |                      |      |      |
| GAZ PETROLIER<br>LICHEFIAT<br>(Butan) <b>G30</b>  | Semi-rapid (SR)        | 66 A            | 1,65                              | 120 g/h       | 0,40                            | 20                   | 30   | 35   |
|   | Auxiliary (AUX)        | 50              | 1,00                              | 73 g/h        | 0,40                            |                      |      |      |
|   | 2 inele de ardere (DC) | 91              | 3,30                              | 240 g/h       | 2,20                            |                      |      |      |
| GAZ PETROLIER<br>LICHEFIAT<br>(Propan) <b>G31</b> | Semi-rapid (SR)        | 66 A            | 1,65                              | 118 g/h       | 0,40                            | 20                   | 30   | 35   |
|   | Auxiliary (AUX)        | 50              | 1,00                              | 71 g/h        | 0,40                            |                      |      |      |
|   | 2 inele de ardere (DC) | 91              | 3,30                              | 236 g/h       | 2,20                            |                      |      |      |

| Tip de gaz utiliza | Configurație model<br>4 ARZĂTOARE | Capacitate termică nominală (kW) | Consum total nominal | Aer necesar (m <sup>3</sup> ) pentru a arde 1m <sup>3</sup> de gaz |
|--------------------|-----------------------------------|----------------------------------|----------------------|--|
| <b>G20</b> 20 mbar | 2SR - 1AUX - 1DC                  | 7,80                             | 743 l/h              | 9,52   |
| <b>G30</b> 30 mbar | 2SR - 1AUX - 1DC                  | 7,60                             | 553 g/h              | 30,94  |
| <b>G31</b> 30 mbar | 2SR - 1AUX - 1DC                  | 7,60                             | 543 g/h              | 23,80  |

ALIMENTAREA CU ELECTRICITATE: 220-240 V ~ 50-60 Hz - 1,1 W

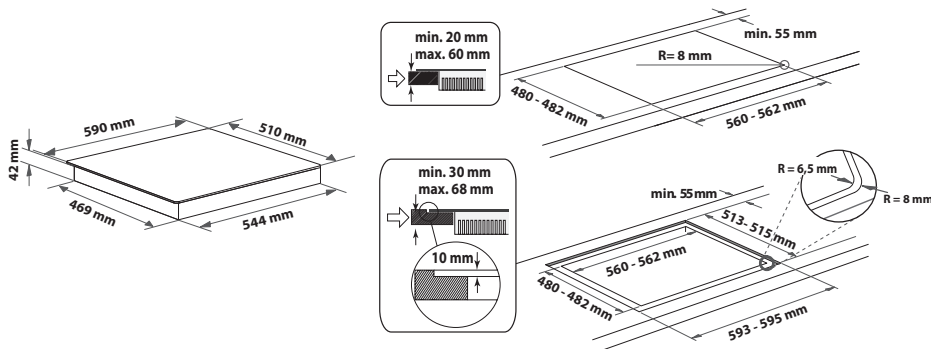


## INSTALAREA (CLASA 3)

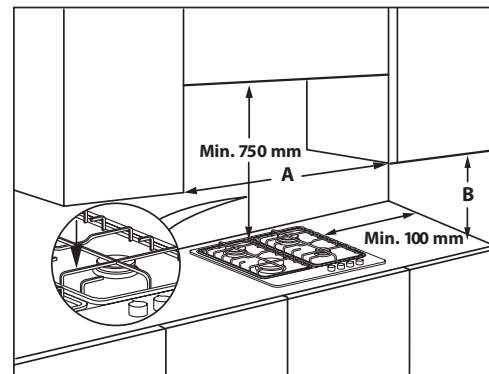
### INFORMAȚII TEHNICE PENTRU INSTALATOR

- Folosiți mănuși de protecție pentru manevrarea, pregătirea și instalarea produsului.
- Acest produs poate fi încadrat într-un blat de lucru cu o grosime de 20 până la 60 mm, cu instalare standard. Pentru instalare la același nivel de 30 ÷ 68.
- Dacă nu există un cuptor dedesubtul plitei, introduceți un panou separator cu o suprafață cel puțin egală cu deschiderea din blatul de lucru. Acest panou trebuie poziționat la o distanță maximă de 150 mm sub partea superioară a blatului de lucru, dar în niciun caz la o distanță de cel puțin 20 mm de partea inferioară a plitei. Dacă doriți să instalați un cuptor sub plită, asigurați-vă că acesta este echipat cu un sistem de răcire.

### DIMENSIUNI ȘI DISTANȚE DE RESPECTAT



Înainte de a aplica silicon, plita trebuie centrată în decupajul efectuat



**NOTĂ:** dacă distanța "A" dintre dulapurile suspendate este între 600 mm și 730 mm, înălțimea "B" trebuie să fie de cel puțin 530 mm. Dacă distanța "A" dintre dulapurile suspendate este mai mare decât lățimea suprafeței de gătit, înălțimea "B" trebuie să fie de cel puțin 400 mm. În cazul instalării unei hote deasupra plitei, respectați instrucțiunile cu distanțele corecte de montare a hotei.

### MONTAREA

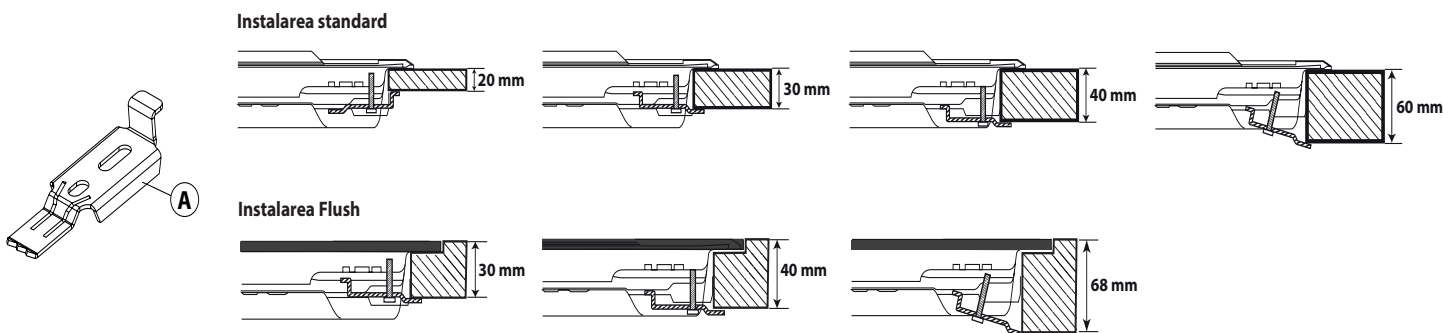
După ce ați curățat suprafața marginilor, aplicați pe plită garnitura furnizată, așa cum se arată în figură.

Poziționați plita în deschiderea practică în blatul de lucru, respectând dimensiunile indicate în Instrucțiuni.



**NOTĂ:** cablul de alimentare trebuie să fie suficient de lung pentru a permite ca plita să poată fi scoasă prin partea de sus.

Pentru a fixa plita, folosiți consolele (A) livrate împreună cu aceasta. Potrivii consolele în găurile corespunzătoare indicate de săgeată și strângeți-le prin intermediul șuruburilor, în funcție de grosimea blatului de lucru (consultați figurile următoare).

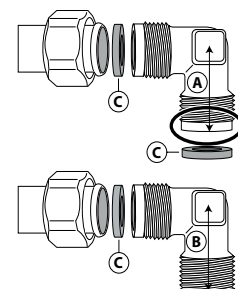


### RACORDAREA LA GAZ

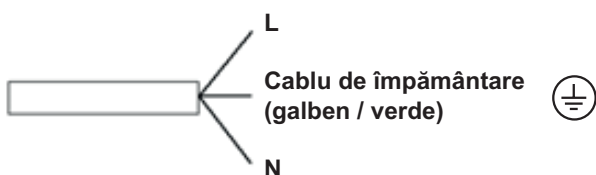
- Racordați cotul (A)\* sau (B)\* (incluse în pachet) la țeava principală de alimentare a plitei și intercalați șaiba (C) (inclusă în pachet), în conformitate cu standardul EN 549.

\* Folosiți cotul (A) pentru Franța și cotul (B) pentru toate celelalte țări.

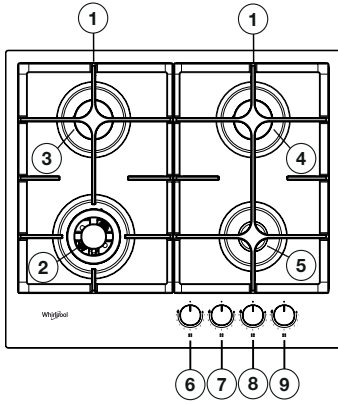
- După racordarea la alimentarea cu gaz, verificați etanșeitarea folosind apă cu săpun. Aprindeți arzătoarele și rotiți butoanele de la poziția de maxim la poziția de minim pentru a verifica stabilitatea flăcării.



### CONECTARE ELECTRICA



# DESCRIEREA PRODUSULUI



1. Grătare detașabile
2. Arzător cu 2 inele de ardere
3. Arzător Semi-rapid
4. Arzător Semi-rapid
5. Arzător Auxiliar
6. Buton de comandă pentru arzătorul cu 2 inele de ardere
7. Buton de comandă pentru arzătorul Semi-rapid
8. Buton de comandă pentru arzătorul Semi-rapid
9. Buton de comandă pentru arzătorul Auxiliar

## Simboluri

- |                         |   |  |
|-------------------------|---|--|
| Cerc de culoare închisă | ● | Robinet închis                                       |
| Flacără mare            |   | Deschidere maximă/debit maxim și aprindere electrică |
| Flacără mică            |   | Deschidere minimă sau debit redus                    |



# UTILIZAREA ZILNICĂ

## UTILIZAREA PLITEI

**⚠** Aveți grijă ca flacăra arzătorului să nu se extindă dincolo de marginea vasului.

**IMPORTANT: când plita este în uz, întreaga zonă a plitei se poate înfierbânta.**

- Pentru a aprinde un arzător, rotiți butonul corespunzător în sens anti-orar până când ajunge în poziția pentru flacără maximă.
- Apăsăți butonul spre panoul de comandă pentru a aprinde arzătorul.
- După aprinderea arzătorului, continuați să țineți apăsat butonul timp de aproximativ 5-10 secunde pentru a permite funcționarea corectă a dispozitivului.
- Acest dispozitiv de siguranță cu care este prevăzut arzătorul va întrerupe alimentarea cu gaz a arzătorului în cazul în care flacăra se stinge accidental (din cauza unor curenți de aer, a întreruperii furnizării gazelor, a vărsării de lichide etc.).
- Butonul nu trebuie ținut apăsat mai mult de 15 sec. Dacă după trecerea acestui interval arzătorul nu rămâne aprins, așteptați cel puțin un minut înainte de a încerca să-l aprindeți din nou.

**NOTĂ: în cazul în care condițiile locale specifice de distribuire a gazelor fac ca aprinderea arzătorului să fie dificilă, este indicat să repetați operația cu butonul rotit la poziția pentru flacără mică.**

**Arzătorul se poate stinge când butonul este eliberat.** Acest lucru înseamnă că dispozitivul de siguranță nu s-a încălzit suficient. În această situație, repetați operațiile descrise mai sus.

Dacă flacăra arzătorului se stinge accidental, opriți comanda arzătorului și nu încercați să o aprindeți timp de cel puțin 1 minut.

## SFATURILE PRACTICE PENTRU UTILIZAREA ARZĂTOARELOR

Această plită are arzătoare cu diametre diferite. Pentru a obține rezultate optime la folosirea arzătoarelor, vă rugăm să urmați aceste reguli:

- utilizați oale și cratițe cu diametrul bazei egal sau puțin mai mare decât diametrul arzătoarelor (consultați tabelul din dreapta);
- utilizați numai oale și cratițe cu baza plată;
- folosiți cantitatea corectă de apă când gătiți alimentele și țineți oala acoperită;
- aveți grijă ca vasele de gătit așezate pe grătare să nu iasă în afara marginilor plitei;
- în cazul vaselor cu bază convexă (wok), folosiți grătarul-suport care nu este furnizat împreună cu plita, care trebuie plasat numai pe arzătorul cu inele de ardere multiple;
- evitați ciocnirile accidentale cu cratițe, grile sau alte echipamente de bucătărie;
- nu lăsați grătare goale pe focul aprins pentru mai mult de 5 minute.

**IMPORTANT: utilizarea necorespunzătoare a grătarelor poate duce la deteriorarea plitei: nu așezați grătarele cu susul în jos și nu le târați pe suprafața plitei.**

| ARZĂTOR           | Ø OALĂ            |
|-------------------|-------------------|
| 2 inele de ardere | De la 24 la 26 cm |
| Semi-rapid        | De la 16 la 22 cm |
| Auxiliar          | De la 8 la 14 cm  |

Nu utilizați:

- Tigăi din fontă, plăci de piatră pentru gătit, oale sau cratițe din teracotă.
- Difuzoare de căldură, de tipul plaselor metalice sau de alte tipuri.
- Două arzătoare în același timp pentru un singur vas (de ex. o oală de fiert pește).

Lichidele vărsate pe zona fierbinte a plitei pot cauza deteriorarea sticlei.

## ADAPTAREA PENTRU DIFERITE TIPURI DE GAZ

**⚠** Această operație trebuie să fie efectuată de un tehnician calificat.

Dacă aparatul trebuie să funcționeze cu un tip de gaz diferit de cel indicat pe plăcuța cu date tehnice și pe eticheta informativă de pe partea superioară a plitei, schimbați injectoarele. Înlăturați eticheta informativă și păstrați-o împreună cu manualul de instrucțiuni.

**Folosiți regulatoare de presiune potrivite pentru presiunea gazului indicată în Instrucțiuni.**

- Injectorul de gaz trebuie schimbat de Serviciul de asistență tehnică sau de un tehnician calificat.
- Injectorul care nu este furnizat împreună cu aparatul trebuie comandat de la Serviciul de asistență tehnică.
- Reglați poziția de minim a robinetelor.

**NOTĂ: când se folosește gaz petrolier lichefiat (G30/G31), șurubul pentru reglarea debitului minim de gaz trebuie strâns cât de mult posibil.**

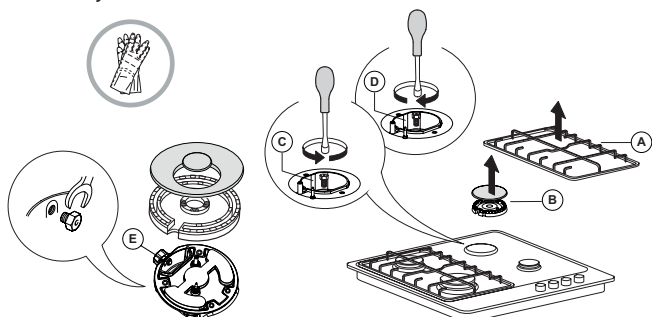
**IMPORTANT: dacă aveți dificultăți când rotiți butoanele arzătoarelor, vă rugăm să contactați Serviciul de asistență tehnică pentru înlocuirea robinetului arzătorului, dacă se constată că este defect.**

**IMPORTANT: când se folosește alimentarea cu gaz de la butelie, butelia sau recipientul de gaz trebuie să fie așezate în mod adecvat (orientare verticală).**

## ÎNLOCUIREA INJECTOARELOR (consultați tabelul de injectoare din Instrucțiuni privind siguranța)

⚠ Această operație trebuie să fie efectuată de un tehnician calificat.

- Scoateți grătarele (A).
- Extrageți arzătoarele (B).
- Folosind o cheie tubulară de dimensiuni corespunzătoare, deșurubați injectorul (C) care trebuie înlocuit.
- Înlocuiți-l cu injectorul potrivit pentru noul tip de gaz.
- Montați la loc injectorul în (D).
- Dacă aveți un arzător cu coroană multiplă, folosiți o cheie pentru a înlocui injectorul (E).



Înainte de a instala plita, nu uitați să montați plăcuța cu datele privind calibrarea gazului, livrată împreună cu injectoarele, astfel încât să acopere informațiile existente referitoare la calibrarea gazului.

## REGLAREA POZIȚIEI DE MINIM A ROBINETELOR

⚠ Această operație trebuie să fie efectuată de un tehnician calificat.

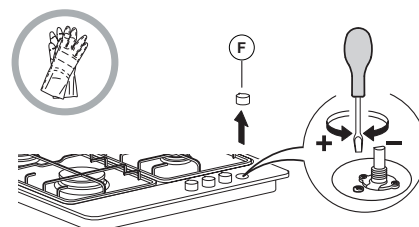
Reglajul trebuie efectuat cu robinetul în poziția de minim de gaz (flacără mică) ⚡.

Aerul primar al arzătoarelor nu trebuie să fie reglat.

Pentru a vă asigura că poziția de minim este corect reglată, scoateți butonul și procedați după cum urmează:

- strângeți șurubul pentru a reduce înălțimea flăcării (-);
- slăbiți șurubul pentru a mări înălțimea flăcării (+).

După aceasta, aprindeți arzătoarele și rotiți butoanele de la poziția de maxim ⚡ la poziția de minim ⚡ pentru a verifica stabilitatea flăcării.



După terminarea operației de reglare, resigilați folosind ceară sau un material echivalent.

## FLACĂRĂ MULTI-NIVEL

| NIVEL | METODĂ/TIP DE PREPARARE (RECOMANDAT PENTRU) | CÂTEVA SFATURI PENTRU GĂTIT   |
|-------|---|---|
| 1-2   | MENȚINERE LA CALD                           | Ideală pentru a înmuia untul, topirea delicată a ciocolatei în baie marie, decongelarea unei porții mici de alimente, obținerea unei texturi cremoase pentru rizoto.                                  |
|       | PREPARARE DELICATĂ                          |   |
| 3-4   | FIERBERE LA FOC MIC                         | Ideală pentru rețete cu durată lungă de preparare (orez, sosuri, friptură, pește) cu lichide (apă, vin, bulion) și pentru obținerea unei texturi cremoase a pastelor, menținând fierberea la foc mic. |
|       | FIERBERE ÎNĂBUȘITĂ                          |   |
| 5-6   | FRIGERE                                     | Ideală pentru a sota, a fierbe înăbușit legume, a găti pe perioade mai lungi de timp, a preîncălzi accesorii, a obține o textură cremoasă a alimentelor.  |
|       | PRĂJIRE                                     |   |
| 7-8   | PRĂJIRE LA FOC IUTE                         | Ideală pentru a rumeni, a căli, a fierbe rapid lichidele, a prăji produse congelate, a frige grătar carne și pește, a menține fierberea.  |
|       | FRIGERE LA GRĂTAR                           |   |
| 9     | ÎNCĂLZIRE RAPIDĂ                            | Ideală pentru creșterea rapidă a temperaturii alimentelor sau pentru încălzirea lichidelor (apă).   |

## ÎNTREȚINEREA ȘI CURĂȚAREA

⚠ Deconectați de la electricitate înainte de a efectua orice operație de întreținere.

### CURĂȚAREA SUPRAFEȚEI PLITEI

- Toate piesele emailate și de sticlă trebuie curățate cu o soluție de apă caldă și detergent neutru.
- Suprafețele din oțel inoxidabil se pot păta din cauza apei calcaroase sau a detergenților agresivi, dacă rămân în contact cu acestea prea mult timp. Resturile de mâncare căzute pe suprafață (apă, sos, cafea etc.) trebuie șterse înainte de a se usca.
- Curățați cu apă caldă și detergent neutru, apoi uscați cu o cârpă moale sau cu piele de câprioară. Îndepărtați resturile arse de mâncare cu ajutorul unor produse de curățare speciale pentru suprafețe din oțel inoxidabil.

**NOTĂ: curățați oțelul inoxidabil numai cu o cârpă sau un burete moale.**

- Nu utilizați produse abrazive sau corozive, produse pe bază de clor sau bureți de sârmă pentru vase.
- Nu utilizați aparate de curățat cu aburi.
- Nu folosiți produse inflamabile.
- Nu lăsați pe plită substanțe acide sau alcaline, cum ar fi oțet, muștar, sare, zahăr sau suc de lămâie.

### CURĂȚAREA COMPONENTELOR PLITEI

- Curățați sticla și piesele emailate numai cu o cârpă sau un burete moale.
- Grătarele, capacele arzătoarelor și arzătoarele pot fi scoase pentru a fi curățate.
- Curățați-le manual, cu apă caldă și detergent neabraziv, înlăturând cu grijă toate resturile de mâncare și verificând ca niciun orificiu al arzătorului să nu fie înfundat.
- Clătiți și uscați.



- **Grătarele din fontă pot fi curățate în mașina de spălat vase. Eliminați toate resturile alimentare arse înainte de a introduce grătarele în cel mai de jos coș al mașinii de spălat vase.**
- Puneți la loc arzătoarele și capacele arzătoarelor, în mod corect, în locașurile respective.
- Când puneți la loc grătarele, asigurați-vă că zona pe care se așează oalele este aliniată cu arzătorul.

- Modelele echipate cu fișe pentru aprindere electrică și cu dispozitiv de siguranță necesită o curățare atentă a capătului fișei pentru a asigura funcționarea corectă. Verificați frecvent aceste piese și, dacă este necesar, curățați-le cu o cârpă umedă. Resturile arse de mâncare trebuie îndepărtate cu o scobitoare sau cu un ac.

**NOTĂ: pentru a evita deteriorarea dispozitivului de aprindere electrică, nu-l folosiți atunci când arzătoarele nu sunt în locașurile lor.**

## REMEDIEREA DEFECȚIUNILOR

Dacă plita nu funcționează corect, înainte de a apela la Serviciul de asistență tehnică, consultați Ghidul de remediere a defecțiunilor pentru a stabili care este problema.

### 1. Arzătorul nu se aprinde sau flacăra nu este uniformă

Verificați următoarele:

- Alimentarea electrică sau cu gaz să nu fie oprită și, mai ales, robinetul de alimentare cu gaz să fie deschis.
- Butelia de gaz (gaz lichid) să nu fie goală.
- Orificiile arzătorului să nu fie înfundate.
- Capătul fișei să nu fie murdar.
- Toate piesele arzătorului să fie poziționate corect.
- Să nu existe curenți de aer în apropierea plitei.

### 2. Arzătorul nu rămâne aprins

Verificați următoarele:

- La aprinderea arzătorului, butonul să fie ținut apăsat destul timp, astfel încât să se activeze dispozitivul de protecție.
- Orificiile arzătorului să nu fie înfundate lângă termocuplu.
- Capătul dispozitivului de siguranță să nu fie murdar.
- Reglarea debitului minim de gaz să fie corectă (consultați paragraful respectiv).

### 3. Recipientele nu sunt stabile

Verificați următoarele:

- Fundul recipientului să fie perfect plat.
- Recipientul să fie centrat pe arzător.
- Grătarele să nu fie schimbate între ele sau poziționate incorect.

Dacă problema persistă și după verificările de mai sus, luați legătura cu cel mai apropiat Serviciu de asistență tehnică.

## SERVICIUL DE ASISTENȚĂ TEHNICĂ POST-VÂNZARE

Pentru a beneficia de servicii complete de asistență, vă rugăm să vă înregistrați produsul pe [www.whirlpool.eu/register](http://www.whirlpool.eu/register).

### ÎNAINTE DE A CONTACTA SERVICIUL DE ASISTENȚĂ TEHNICĂ POSTVÂNZARE:

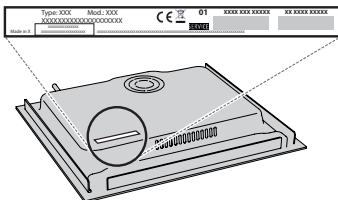
1. Încercați să rezolvați singuri problema, cu ajutorul recomandărilor din **GHIDUL DE REMEDIERE A DEFECȚIUNILOR**.
2. Opriți și puneți din nou în funcțiune aparatul pentru a verifica dacă defecțiunea persistă.

### DACĂ PROBLEMA PERSISTĂ CHIAR ȘI DUPĂ CONTROALELE MENȚIONATE, CONTACTAȚI CEL MAI APROPIAT SERVICIU DE ASISTENȚĂ TEHNICĂ POST-VÂNZARE.

Pentru asistență, sunați la numărul de telefon specificat pe certificatul de garanție sau urmați instrucțiunile de pe site-ul web [www.whirlpool.eu](http://www.whirlpool.eu).

Atunci când contactați serviciul de asistență tehnică post-vânzare, specificați întotdeauna:

- o scurtă descriere a defecțiunii;
- tipul și modelul exact al aparatului;



- numărul de serie (numărul de după cuvântul SN de pe plăcuța cu date tehnice, amplasată sub aparat). De asemenea, numărul de serie este indicat în documentație;



Mod. **XXX XXX**

Ind.C. **XXXX XXXX XXXX**

Prod.N. **86999XXXXXX** S.N. **XXXX XXXX XXXX**

- adresa dumneavoastră completă;
- numărul dumneavoastră de telefon

Dacă sunt necesare orice fel de reparații, vă rugăm să contactați un serviciu de asistență tehnică post-vânzare autorizat (pentru a avea garanția că se folosesc piese de schimb originale și că reparațiile vor fi executate corect).

Cijeli priručnik s uputama preuzmite na <http://docs.whirlpool.eu> ili nazovite telefonski broj koji se nalazi u jamstvenoj knjižici.

**⚠ OPREZ:** Uporabom plinskog štednjaka u prostoriji u kojoj je postavljen stvara se toplina, vlaga i produkti izgaranja. Pobrinite se da se kuhinja dobro prozračuje dok se uređaj koristi: držite otvore za prirodnu ventilaciju otvorenima ili ugradite uređaj za mehaničku ventilaciju (napu). Duža i intenzivnija uporaba uređaja može zahtijevati dodatnu ventilaciju, kao što je otvaranje prozora ili učinkovitiju ventilaciju, primjerice pojačavanje razine mehaničke ventilacije (ako je moguće).

**⚠ Ako se točno ne pridržavate uputa iz ovog priručnika, može doći do požara ili eksplozije, a posljedično do oštećenja imovine ili ozljeda.**

Prije upotrebe uređaja pročitajte ove sigurnosne upute. Sačuvajte ih za buduću referencu.

Ovaj priručnik i sam uređaj sadrže važna sigurnosna upozorenja kojih se morate stalno pridržavati. Proizvođač otklanja svaku odgovornost u slučaju nepoštivanja sigurnosnih uputa, za neprikladno korištenje ili za pogrešno podešavanje komandi.

**⚠ Ove upute su valjane ako se na uređaju nalazi simbol dotične države. Ako se na uređaju ne nalazi simbol, potrebno je konzultirati tehničke upute koje sadrže potrebne upute koje se tiču izmjena na uređaju kako bi se prilagodio uvjetima uporabe u dotičnoj zemlji.**

**⚠ UPOZORENJE:** Ako je površina ploče pukla, nemojte koristiti uređaj – opasnost od električnog udara.

**⚠ UPOZORENJE:** Opasnost od požara: Nemojte čuvati predmete na površinama za kuhanje.

**⚠ PAŽNJA:** Postupak kuhanja mora se nadzirati. Kratki postupak kuhanja mora se neprestano nadzirati.

**⚠ UPOZORENJE:** Pripremanje hrane na masnoći ili ulju bez nadziranja ugradne ploče može biti opasno – opasnost od požara. NIKADA nemojte gasiti požar vodom, već isključite uređaj i pokrijte plamen, npr. poklopcem ili vatrootpornom dekom.

**⚠ Nemojte koristiti ploču za kuhanje kao radnu površinu ili podlogu. Odjeću ili druge zapaljive materijale ne približavajte uređaju dok se sastavni dijelovi potpuno ne ohlade – opasnost od požara.**

**⚠ Vrlo maloj djeci (0 – 3 godina) ne dopuštajte pristup uređaju. Maloj djeci (3 – 8 godina) ne dopuštajte pristup uređaju ako nisu pod nadzorom. Djeca starija od 8 godina i osobe smanjenih fizičkih, osjetilnih i mentalnih sposobnosti ili osobe bez dovoljnog iskustva i znanja mogu koristiti uređaj samo ako su pod nadzorom ili su dobili upute o sigurnom rukovanju uređajem te ako razumiju potencijalne opasnosti. Djeca se ne smiju igrati s uređajem. Djeca ne smiju čistiti niti održavati uređaj bez nadzora.**

**⚠ PAŽNJA:** Ako pukne staklo ploče za kuhanje, odmah zatvorite sve plamenike i svaki grijaći element i izolirajte

uređaj od napajanja električnom energijom; ne dirajte površinu uređaja; ne upotrebljavajte uređaj.

Stakleni poklopac može puknuti unutra ako se zagrijava. Zatvorite sve plamenike i električne ploče prije zatvaranja poklopca. Nemojte spuštati poklopac kad plamenik gori.

**⚠ UPOZORENJE:** Uređaj i njegovi dijelovi do kojih postoji pristup se zagrijavaju prilikom uporabe. Pazite da ne biste dodirnuli grijaće elemente. Djeca mlađa od 8 godina trebaju se držati podalje od uređaja, osim ako su pod nadzorom.

### DOZVOLJENI RASPON UPOTREBE

**⚠ PAŽNJA:** uređaj nije namijenjen za korištenje pomoću vanjske sklopke, kao što je vremenski programator ili poseban sustav za daljinsko upravljanje.

**⚠ Ovaj uređaj namijenjen je upotrebi u kućanstvima i na sličnim mjestima, kao što su: kuhinje za osoblje u trgovinama, uredi i druge objekti u kojima se radi; seoske kuće; za goste u hotelima, motelima ili sličnim smještajnim jedinicama.**

**⚠ Ne dopušta se nikakva druga uporaba (npr. grijanje prostorija).**

**⚠ Ovaj uređaj nije namijenjen za profesionalnu upotrebu. Nemojte koristiti uređaj u vanjskim prostorima.**

**⚠ Koristite lonce i tavice čija je širina dna ista ili malo veća od plamenika (vidi tablicu u nastavku). Pazite da lonci na rešetkama ne prelaze rubove površine za kuhanje.**

**⚠ Nepravilna upotreba rešetki može dovesti do oštećenja ploče za kuhanje: mreže ne okrećite naopako i ne gurajte ih preko ploče za kuhanje.**

Ne dopustite da plamen plamenika ide preko ruba lonca.

Ako je površina ploče za kuhanje izrađena od stakla, nemojte upotrebljavati rešetke za pečenje lijevanog željeza, kamen za pečenje ollara, lonce i tave od terakote.

Nemojte koristiti: difuzore topline poput metalne mreže ili bilo koje druge vrste. Dva plamenika istovremeno za jednu posudu (npr. za kotlić s ribom).

Ako je zbog lokalnih uvjeta dovoda plina otežano paljenje plamenika, preporučuje se da ponovite radnju s gumbom okrenutim u položaj malog plamena.

U slučaju montiranja kuhinjske nape iznad ploče za kuhanje, molimo vas slijedite upute o pravilnoj udaljenosti.

Mala djeca bi mogla progutati zaštitne gumene noge ispod rešetaka i zagušiti se. Nakon skidanja rešetki, molimo vas da se pobrinite da sve nogice budu ispravno namještene.

### POSTAVLJANJE

**⚠ Pri postavljanju, uređajem moraju rukovati dvije ili više osoba: opasnost od ozljeda. Za raspakiranje i postavljanje uređaja upotrijebite zaštitne rukavice: opasnost od porezotina.**

**⚠ Električni i plinski priključci moraju biti u skladu s lokalnim propisima.**

**⚠ Postavljanje, uključujući dovod vode (ako je uređaj opremljen) i električne priključke te popravke smije obavljati samo kvalificirani tehničar. Nemojte popravljati ni zamjenjivati bilo koji dio uređaja, osim ako to nije izričito navedeno u priručniku za upotrebu. Djeci ne dozvoljavajte približavanje mjestu postavljanja. Nakon uklanjanja ambalaže s proizvoda, provjerite da tijekom transporta nije došlo do oštećenja. U slučaju problema, kontaktirajte distributera ili najbliži postprodajni servis.**

Nakon postavljanja otpadni materijal pakiranja (plastiku, dijelove od stiropora itd.) odložite van dohvata djece: opasnost od gušenja. Uređaj se prije postavljanja mora isključiti iz napajanja: opasnost od električnog udara. Pazite da za vrijeme postavljanja uređaj ne ošteti električni kabel: opasnost od požara ili električnog udara. Uređaj uključite tek kada završi postupak postavljanja.

⚠ UPOZORENJE: Izmjene na uređaju i način njegova postavljanja od osnovne su važnosti za sigurno i ispravno korištenje uređaja u svim dodatnim zemljama.

⚠ Koristite regulatore tlaka prikladne za tlak plina naznačen u uputama.

⚠ Prostorija mora biti opremljena sustavom za odvod zraka koji odvodi plinove izgaranja. On se može sastojati od nape ili električnog ventilatora koji se automatski pokreću svaki puta kad se upali uređaj.

⚠ Prostorija ujedno mora dopuštati ispravnu cirkulaciju zraka jer je zrak potreban kako bi do izgaranja došlo prirodnim putem. Protok zraka ne smije biti manji od 2 m<sup>3</sup>/h po kW instalirane snage.

⚠ Sustav cirkulacije zraka može uzimati zrak izravno izvana putem cijevi unutarnjeg presjeka od najmanje 100 cm<sup>2</sup>; Otvor ne smije biti osjetljiv ni na kakvu vrstu opstrukcije.

⚠ Sustav može osigurati zrak potreban za izgaranje i neizravno, tj. iz susjednih prostorija u kojima su postavljene cijevi za cirkulaciju zraka kao što je gore navedeno. Međutim, te prostorije ne smiju biti zajedničke prostorije, spavaće sobe ili prostorije koje predstavljaju požarnu opasnost.

⚠ Ukapljeni naftni plin se spušta na tlo jer je teži od zraka. Stoga bi prostorije u kojima se nalaze spremnici s LPG-om također trebale imati odušnike kako bi plin mogao izlaziti u slučaju propuštanja. Zbog toga se spremnici s LPG-om, bez obzira da li su skroz puni ili samo djelomično, moraju postaviti ili čuvati u prostorijama ili skladišnim prostorima koji su ispod razine tla (podrumi itd.). Preporučuje se da u prostoriji držite samo onaj spremnik koji koristite i da ga postavite tako da nije izložen toplini od vanjskih izvora (pećnice, kamini, peći itd.) koji bi mogli podići temperaturu spremnika iznad 50°C.

Ako okretanje gumbi plamenika postaje sve otežanje, kontaktirajte Postprodajnu službu koja će, nakon utvrđivanja neispravnosti ventila, isti zamijeniti. Otvori koji se koriste za ventilaciju i disperziju topline nikad ne smiju biti prekriveni.

⚠ Obavite sve radove piljenja i pažljivo uklonite sve strugotine i piljevinu prije postavljanja uređaja u element.

⚠ Ako uređaj nije postavljen iznad pećnice, u pregradu ispod uređaja mora se postaviti pregradna ploča (koja nije uključena).

### **PRIKLJUČENJE NA PLINSKI SUSTAV**

⚠ UPOZORENJE: Prije postavljanja, provjerite jesu li usklađeni lokalni uvjeti distribucije (vrsta i tlak plina) i konfiguracija uređaja.

⚠ Provjerite da li opskrba plinom odgovara vrijednostima navedenima u tablici „Specifikacije plamenika i mlaznice“.

⚠ UPOZORENJE: Uvjeti konfiguracije za ovaj uređaj navedena su na naljepnici (ili podatkovnoj pločici).

⚠ UPOZORENJE: Ovaj uređaj nije priključen na uređaj za odvođenje produkata izgaranja. Mora se instalirati i priključiti u skladu s važećim propisima o instalacijama. Posebnu pozornost potrebno je posvetiti odgovarajućim uvjetima vezanim uz ventilaciju.

⚠ Ako je uređaj spojen na tekući plin, regulacijski vijak mora se zategnuti što je čvršće moguće.

⚠ VAŽNO: Kada je ugrađen plinski spremnik ili plinska boca, mora se pravilno smjestiti (u uspravnom položaju).

⚠ UPOZORENJE: Taj postupak mora izvršiti kvalificirani tehničar.

⚠ Upotrijebite isključivo savitljivo crijevo ili krutu metalnu cijev za priključak plina.

⚠ Spoj s krutom cijevi (bakrenom ili čeličnom) Spoj na plinski sustav mora se izvesti na način da se uređaj ničim ne optereti. Na opskrbnoj rampi uređaja postoji podesivi cijevni priključak u obliku slova L koji se postavlja s brtvom da se spriječi propuštanje. Brtva se uvijek mora zamijeniti nakon okretanja cijevne spojnice (brtva se isporučuje s uređajem). Cijevni priključak za dovod plina je navojna plinska 1/2 cilindrična muška spojnica.

⚠ Spajanje savitljive bešavne cijevi od nehrđajućeg čelika na navojni priključak Cijevni priključak za dovod plina je navojna plinska 1/2 cilindrična muška spojnica. Ove se cijevi moraju postaviti tako da nikad nisu duže od 2000 mm kada su u potpunosti produžene. Kad je spajanje izvedeno, provjerite da savitljiva metalna cijev ne dodiruje dijelove u pokretu i da nije stisnuta. Koristite isključivo cijevi i brtve koje su sukladne s važećim nacionalnim propisima.

⚠ VAŽNO: Ako se upotrebljava crijevo od nehrđajućeg čelika, treba ga spojiti tako da ne dodiruje niti jedan pokretni dio namještaja (npr. ladicu). Mora prolaziti kroz područje bez prepreka i gdje ju je moguće pregledati cijelom duljinom.

⚠ Uređaj treba biti spojen na glavni dovod plina ili plinski spremnik u skladu s važećim nacionalnim propisima. Prije spajanja, provjerite da li je uređaj kompatibilan s dovodom plina koji želite koristiti. Ako nije, pridržavajte se uputa navedenih u odlomku „Prijelaz na različite vrste plina“.

⚠ Nakon spajanja dovoda plina provjerite ima li propuštanja uz pomoć sapunice. Upalite plamenike i okrenite gumbe od maksimalnog 1\* do minimalnog položaja 2\* kako biste provjerili stabilnost plamena.

### **PRIJELAZ NA RAZLIČITE VRSTE PLINA**

(Ovaj zahvat mora obaviti kvalificirani tehničar).

⚠ Kako biste prilagodili uređaj vrsti plina koji je drugačiji od vrste za koju je proizveden (navedeno na pločici s tehničkim podacima), pridržavajte se opisanih koraka navedenih nakon instalacijskih crteža.

### **ELEKTRIČNA UPOZORENJA**

⚠ VAŽNO: Informacije o potrošnji struje i naponu nalaze se na nazivnoj pločici.

⚠ Mora postojati mogućnost isključivanja uređaja iz struje uklanjanjem priključka ako je on dostupan ili to učiniti pomoću dostupne sklopke s više polova instalirane uz utičnicu u skladu s pravilima ožičenja i

uređaj mora biti uzemljen u skladu s nacionalnim sigurnosnim standardima za električnu struju.

⚠ Kabel za napajanje mora biti dovoljno dug kako bi se uređaj, nakon postavljanja u element, moglo priključiti na izvor napajanja. Ne povlačite kabel za napajanje.

⚠ Nemojte koristiti produžne kabele, višestruke utičnice ili adaptere. Nakon postavljanja električni dijelovi ne smiju biti dostupni korisniku. Uređaj ne upotrebljavajte kada ste mokri ili bos. Uređaj ne upotrebljavate ako su njegov dovodni kabel ili utikač oštećeni, ako ne radi ispravno ili ako je oštećen ili je pao na tlo.

⚠ Ako je kabel za napajanje oštećen, istim ga mora zamijeniti proizvođač, ovlaštenu servisera ili osobe slične kvalifikacije kako biste izbjegli opasne situacije: opasnost od električnog udara.


### ČIŠĆENJE I ODRŽAVANJE

⚠ UPOZORENJE: Provjerite je li uređaj isključen ili odspojen iz napajanja prije obavljanja bilo kojeg zahvata održavanja; nikada ne upotrebljavajte uređaje za čišćenje parom: opasnost od električnog udara.

⚠ Ne koristite abrazivne ili korozivne proizvode, sredstva za čišćenje na bazi klora ili strugače za tave.

⚠ Kako biste izbjegli oštećenja električnih uređaja za paljenje, ne rabite ih kada se plamenici ne nalaze u njihovim kućistima.

### ODLAGANJE AMBALAŽNOG MATERIJALA


Ambalažni materijal može se u potpunosti reciklirati i označen je simbolom recikliranja .

Različiti dijelovi ambalaže moraju se zbrinuti na odgovarajući način i u skladu s lokalnim zakonskim propisima za odlaganje otpada.

### ODLAGANJE KUĆANSKIH UREĐAJA

Ovaj uređaj proizveden je od materijala koji se može reciklirati ili ponovno iskoristiti. Zbrinite ga sukladno lokalnim pravilnicima o zbrinjavanju otpada. Radi detaljnijih informacija o postupanju, uporabi i recikliranju električnih kućanskih aparata, obratite se nadležnom mjesnom uredu, službi za skupljanje komunalnog otpada ili trgovini u kojoj ste uređaj kupili. Ovaj je uređaj označen u skladu s europskom Direktivom 2012/19/EU o otpadnoj električnoj i elektroničkoj opremi (OEEO) i uredbama o otpadnoj električnoj i elektroničkoj opremi iz 2013. (sukladno izmjenama i dopunama).

Osigurate li ispravno odlaganje tog proizvoda, pomoći ćete u sprječavanju mogućih negativnih posljedica za okoliš i zdravlje ljudi.

Simbol  na proizvodu ili na popratnoj dokumentaciji označava da se s njim ne smije postupati kao s kućnim otpadom, nego ga treba odnijeti na odgovarajuće skupljalište za recikliranje električnog i elektroničkog otpada.

### SAVJETI ZA UŠTEDU ENERGIJE

Koristite lonce i tave sa širinom dna jednakoj širini zone kuhanja.

Koristite isključivo lonce i tave s ravnim dnima.

Uvijek kada je to moguće, poklopite posuđe.

Koristite ekspres-lonac da biste uštedjeli još više energije i vremena.

### IZJAVA O SUKLADNOSTI

Ovaj uređaj ispunjava zahtjeve o eko-dizajnu europske Uredbe 66/2014 i propise o eko-dizajnu za proizvode povezane s energijom i informacije o energiji (Dopuna) (izlaz iz EU) iz 2019., u skladu s europskom normom EN 30-2-1.



| Vrsta uporabljenog plina                        | Vrsta plamenika | Oznaka sapnice | Nazivni toplinski protok<br>kW | Nazivna potrošnja | Smanjeni toplinskog kapaciteta<br>kW | Tlak plina<br>mbar |      |       |
|---|-----------------|----------------|--------------------------------|-------------------|--------------------------------------|--------------------|------|-------|
|   |                 |                |                                |                   |                                      | min.               | naz. | maks. |
| PRIRODNI PLIN<br>(Metan) <b>G20</b>             | Polubrzi (SR)   | 97 A           | 1,65                           | 157 l/h           | 0,40                                 | 17                 | 20   | 25    |
|   | Pomoćno (AUX)   | 78 A           | 1,00                           | 95 l/h            | 0,40                                 |                    |      |       |
|   | 2 Prstena (DC)  | 140 H1         | 3,50                           | 333 l/h           | 2,20                                 |                    |      |       |
| UKAPLJENI NAFTNI<br>PLIN<br>(Butan) <b>G30</b>  | Polubrzi (SR)   | 66 A           | 1,65                           | 120 g/h           | 0,40                                 | 20                 | 30   | 35    |
|   | Pomoćno (AUX)   | 50             | 1,00                           | 73 g/h            | 0,40                                 |                    |      |       |
|   | 2 Prstena (DC)  | 91             | 3,30                           | 240 g/h           | 2,20                                 |                    |      |       |
| UKAPLJENI NAFTNI<br>PLIN<br>(Propan) <b>G31</b> | Polubrzi (SR)   | 66 A           | 1,65                           | 118 g/h           | 0,40                                 | 20                 | 30   | 35    |
|   | Pomoćno (AUX)   | 50             | 1,00                           | 71 g/h            | 0,40                                 |                    |      |       |
|   | 2 Prstena (DC)  | 91             | 3,30                           | 236 g/h           | 2,20                                 |                    |      |       |

| Vrsta uporabljenog plina | Konfiguracija modela<br>4 PLAMENIKA | Nazivni toplinski protok<br>(kW) | Ukupna nazivna<br>potrošnja | Potrebna količina zraka (m <sup>3</sup> )<br>za izgaranje 1m <sup>3</sup> plina |
|--------------------------|-------------------------------------|----------------------------------|-----------------------------|---|
| <b>G20</b> 20 mbar       | 2SR - 1AUX - 1DC                    | 7,80                             | 743 l/h                     | 9,52  |
| <b>G30</b> 30 mbar       | 2SR - 1AUX - 1DC                    | 7,60                             | 553 g/h                     | 30,94   |
| <b>G31</b> 30 mbar       | 2SR - 1AUX - 1DC                    | 7,60                             | 543 g/h                     | 23,80   |

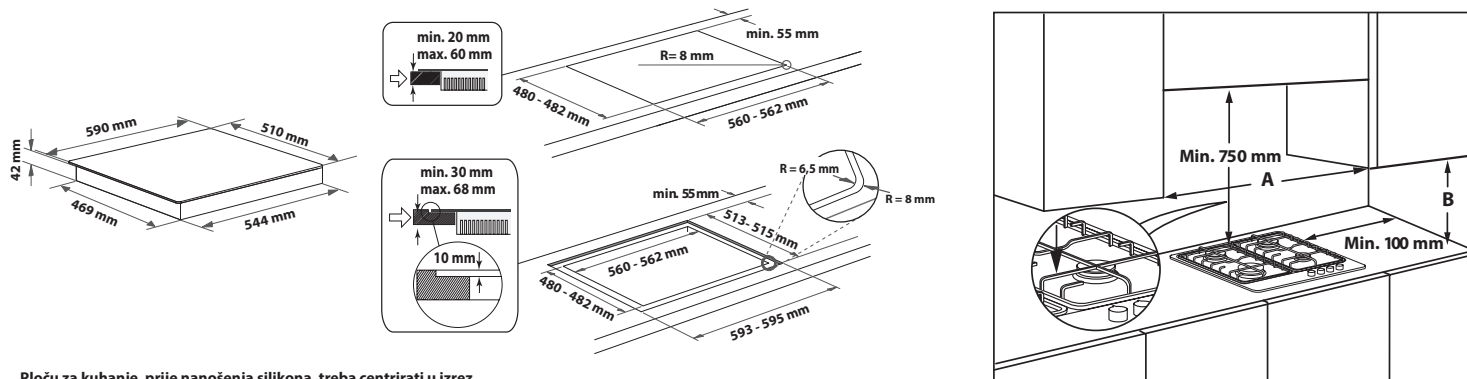
**ELEKTRIČNO NAPAJANJE: 220-240 V ~ 50-60 Hz - 1,1 W**

## POSTAVLJANJE (RAZRED 3)

### TEHNIČKE INFORMACIJE ZA INSTALATERA

- Za rukovanje, pripremu i postavljanje proizvoda uporabite zaštitne rukavice.
- Ovaj se proizvod može ugraditi u radnu ploču debljine 20 do 60 mm, sa standardnom instalacijom. Za ispiranje instalacije  $30 \div 68$ .
- Ako se ispod ploče za kuhanje ne nalazi pećnica, umetnite razdvojnu ploču s površinom barem jednakom otvoru u radnoj ploči. Tu je ploču potrebno montirati na udaljenosti od maksimalno 150 mm ispod gornje površine radne ploče, ali nikada na manje od 20 mm od dna ploče za kuhanje. U slučaju da namjeravate ugraditi pećnicu ispod ploče za kuhanje, pobrinite se da je opremljena sustavom za hlađenje.

### DIMENZIJE I UDALJENOSTI KOJE TREBA ODRŽAVATI



Ploču za kuhanje, prije nanošenja silikona, treba centrirati u izrez

**NAPOMENA:** Ako je udaljenost "A" između stijenki ormara između 600 mm i 730 mm, tada visina "B" mora biti najmanje 530mm. Ako je udaljenost "A" između stijenki ormara između veća od širine ploče za kuhanje, tada visina "B" mora biti najmanje 400mm. U slučaju ugradnje nape iznad ploče za kuhanje, pogledajte upute za napu radi pravilne udaljenosti.

### SASTAVLJANJE

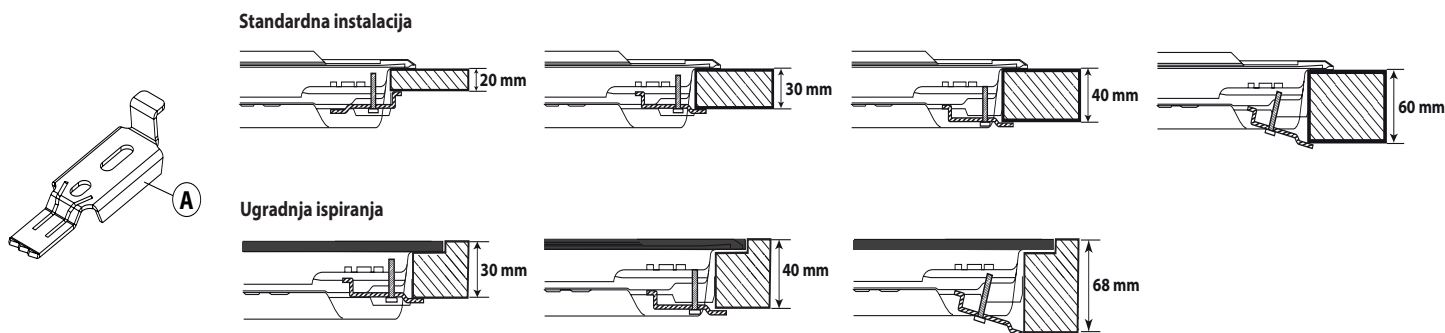
Nakon čišćenja okolne površine uređaja, postavite isporučenu brtvu za ploču za kuhanje kao što je prikazano na slici.

Postavite ploču za kuhanje u izrađeni otvor u radnoj ploči u skladu s dimenzijama naznačenim u uputama.



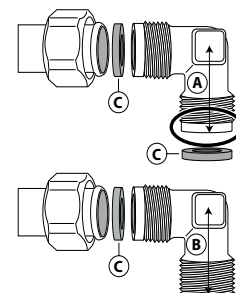
**NAPOMENA:** kabel za napajanje mora biti dovoljno dugačak kako bi omogućio izvlačenje prema gore.

Za učvršćivanje ploče za kuhanje uporabite isporučene nosače (A). Postavite nosače u odgovarajuće provrte prikazane strelicom i pričvrstite ih pomoću vijaka u skladu s debljinom radne ploče (pogledajte sljedeće slike).

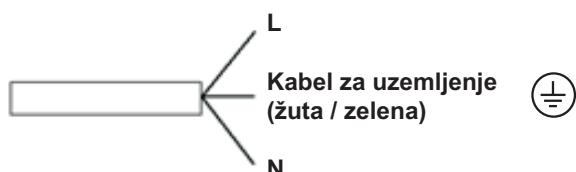


### PRIKLJUČENJE NA PLINSKI SUSTAV

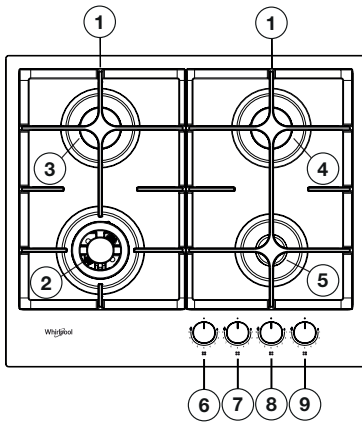
- Spojite isporučeno koljeno (A)\* ili (B)\* s glavnom ulaznom cijevi ploče za kuhanje i umetnite isporučenu podlošku (C) u skladu s EN 549.
- \* Za Francusku uporabite koljeno (A), koljeno (B) za druge države.
- Nakon spajanja dovoda plina provjerite ima li propuštanja uz pomoć sapunice. Upalite plamenike i okrenite gumb s maksimalnog položaja 🔥 u minimalni položaj 🔥 kako biste provjerili stabilnost plamena.



### ELEKTRIČNI PRIKLJUČAK



# OPIS PROIZVODA



1. Uklonjive mreže za postavljanje lonaca
2. 2 prstena plamenik
3. Polubrzi plamenik
4. Polubrzi plamenik
5. Pomoćno plamenik
6. Regulacijski gumb plamenika s 2 prstena
7. Regulacijski gumb polu-brzog plamenika
8. Regulacijski gumb polu-brzog plamenika
9. Regulacijski gumb pomoćnog plamenika

## Simboli

- Šrafirani krug ● Zatvoreni ventil
- Veliki plamen 🔥 Maksimalni otvor/isporuka i električno paljenje
- Mali plamen 🔥 Minimalni otvor ili smanjena isporuka

# SVAKODNEVNA UPORABA

## KAKO KORISTITI PLOČU ZA KUHANJE

⚠ Ne dopustite da plamen plamenike ide preko ruba lonca.

**VAŽNO: kada se ploča za kuhanje koristi; njena cijela površina može postati vruća.**

- Kako biste upalili jedan od grijača, okrenite odgovarajući gumb u smjeru suprotnom od kazaljke na satu u položaj maksimalnog plamena.
- Pritisnite gumb prema upravljačkoj ploči i upalite plamenik.
- Nakon što se plamenik upali, držite gumb pritisnut oko 5 – 10 sekundi kako biste omogućili pravilan rad uređaja.
- Ovaj zaštitni uređaj plamenika isključuje dovod plina u plamenik ako se plamen slučajno ugasi (zbog iznenadnog propuha, prekida u dovodu plina, proljevanja tekućina uslijed kuhanja itd).
- **Gumb se ne smije pritiskati dulje od 15 s. Ako se plamenik ne upali pravilno nakon što to vrijeme protekne, pričekajte barem jednu minutu prije nego ga ponovno pokušate upaliti.**

**NAPOMENA: ako je zbog lokalnih uvjeta dovoda plina otežano paljenje plamenika, preporučuje se da ponovite radnju s gumbom okrenutim u položaj malog plamena.**

**Plamenik se može ugasisi kada otpustite gumb.** To znači da se zaštitni uređaj nije dovoljno ugrijao. U tom slučaju ponovite gore opisani postupak. Ako se plamenovi plamenika slučajno ugase, isključite podešivač plamenika i ne pokušavajte ponovno upaliti plamenik barem jednu minutu.

## PRAKTIČNI SAVJET ZA UPORABU PLAMENIKA

Na ovoj se ploči nalaze plamenici različitih promjera. Radi bolje učinka pridržavajte se sljedećih pravila:

- koristite lonce i tave s dnima jednake širine kao i plamenika ili malo šire (pogledajte tablicu desno);
- koristite isključivo lonce i tave s ravnim dnima;
- koristite pravilnu količinu vode za kuhanje hrane i lonce držite zatvorene;
- pazite da lonci na rešetkama ne prelaze rubove površine za kuhanje;
- u slučaju tava s konveksnim dnima (wok) upotrijebite pomoćnu rešetku (ne isporučuje se) koju se stavlja samo na plamenik s višestrukim prstenima;
- izbjegavajte slučajno kucanje kuhališta s posudama, stalcima ili drugim kuhinjskim posuđem;
- ne ostavljajte prazne grudice za odrezak iznad upaljenog plamenika dulje od 5 minuta.

**VAŽNO: Nepravilna uporaba mreža može rezultirati oštećenjem ploče za kuhanje: mreže ne okrećite naopako i ne gurajte ih preko ploče za kuhanje.**

| PLAMENIK  | Ø LONCA        |
|-----------|----------------|
| 2 Prstena | Od 24 do 26 cm |
| Polubrzi  | Od 16 do 22 cm |
| Pomoćno   | Od 8 do 14 cm  |

Nemojte koristite:

- pekače od lijevanog željeza, kameno posuđe, lonce i tave od terakote;
- difuzore topline kao što su metalne mrežice ili difuzore bilo koje druge vrste;

- istovremeno dva plamenika za jednu posudu (npr. pladanj za ribu). Tekućine koje se proliju na vruće područje ploče za kuhanje mogu uzrokovati oštećenje stakla.

## PRILAGOĐAVANJE RAZLIČITIM VRSTAMA PLINA

⚠ Tu radnju mora izvršiti kvalificirani tehničar.

Ako uređaj namjeravate rabiti s različitim plinom od onog navedenog na natpisnoj pločici i informacijskoj naljepnici na vrhu ploče za kuhanje, promijenite sapnice.

Uklonite informacijsku naljepnicu i spremite je s uputama.

**Uporabite regulatore tlaka prikladne za tlak plina naznačen u uputama:**

- plinsku sapnicu mora promijeniti postprodajni servis ili kvalificirani tehničar;
- sapnica se ne isporučuju s uređajem i potrebno ih je naručiti u postprodajnom servisu;
- podesite minimalnu postavku ventila.

**NAPOMENA: kada se koristi ukapljeni naftni plin (G30/G31), vijak za postavljanje minimalnog protoka plina treba pritegnuti do kraja.**

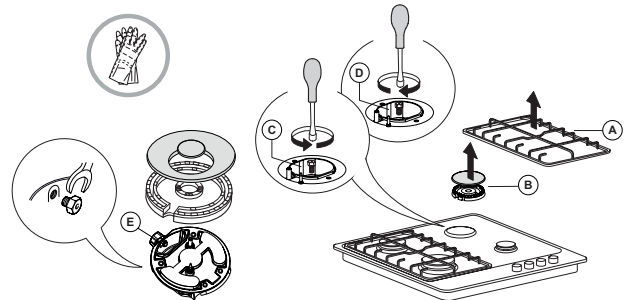
**VAŽNO: ako osjetite otežano okretanje gumba plamenika, obratite se postprodajnom servisu za zamjenu ventila plamenika ako je pokvaren.**

**VAŽNO: kada koristite plinski spremnik, potrebno ga je pravilno smjestiti (u uspravnom položaju).**

## ZAMJENA SAPNICA (pogledajte tablicu sapnica u Sigurnosnim uputama)

⚠ Tu radnju mora izvršiti kvalificirani tehničar.

- Uklonite rešetke (A).
- Izvucite plamenike (B).
- Uz pomoć utičnog ključa odgovarajuće veličine odvijte sapnicu (C) koju želite zamijeniti.
- Zamijenite je sapnicom prikladnom za novu vrstu plina.
- Ponovno sastavite sapnicu u (D).
- Ako imate plamenik s više kruna, za zamjenu sapnice (E) uporabite bočni ključ.



Prije ugradnje ploče za kuhanje, ne zaboravite pričvrstiti ploču za kalibriranje plina isporučenu sa sapnicama tako da navodi sve postojeće informacije o kalibraciji plina.

## PODEŠAVANJE MINIMALNE POSTAVKE PLINSKIH VENTILA

⚠ Tu radnju mora izvršiti kvalificirani tehničar.

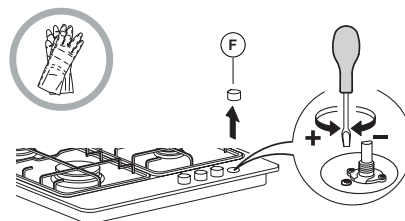
Podešavanje je potrebno vršiti s ventilom u položaju minimalnog protoka plina (mali plamen) ⚡.

Primarni zrak plamenika nije potrebno podešavati.

Kako bi minimalna postavka bila pravilno podešena, uklonite gumb (F) i postupite na sljedeći način:

- pritegnite vijak kako biste smanjili visinu plamena (-);
- otpustite vijak kako biste povećali visinu plamena (+).

U ovom trenutku upalite plamenike i okrenite gumbe s maksimalnog položaja ⚡ u minimalni položaj ⚡ kako biste provjerili stabilnost plamena.



Nakon podešavanja ponovno zabrtvite uz pomoć viska za brtvljenje ili sličnog materijala.

## PLAMEN NA VIŠE RAZINA

| RAZINA | NAČIN/VRSTA KUHANJA (PREDLOŽENO ZA) | SAVJETI ZA KUHANJE   |
|--------|-------------------------------------|--|
| 1-2    | ODRŽAVANJE TOPLINE                  | Idealno za omekšavanje maslaca, nježno otapanje čokolade u vodenoj kupelji, odmrzavanje manjih komada hrane, kremasti rižoto.                                    |
|        | NJEŽNO KUHANJE                      |  |
| 3-4    | KRČKANJE                            | Idealno za recepte sa sporim kuhanjem (riža, umaci, pečenja, riba) s tekućinama (npr. voda, vino, temeljac) te kremastu tjestenine uz održavanje laganog vrenja. |
|        | VRENJE                              |  |
| 5-6    | PEČENJE                             | Idealno za prženje, variva od povrća, dulja kuhanja, zagrijavanje dodataka, kuhanja do kremastog stanja.   |
|        | PRŽENJE                             |  |
| 7-8    | BRZO PRŽENJE                        | Idealno za stvaranje korice, početak kuhanja, brzo ključanje tekućina, prženje zamrznutih proizvoda, prženje mesa i ribe, uz održavanje jakog ključanja.         |
|        | ROŠTILJANJE                         |  |
| 9      | BRZO ZAGRIJAVANJE                   | Idealno za brzo povećanje temperature namirnica ili za zagrijavanje tekućina (vode).   |

## ODRŽAVANJE I ČIŠĆENJE

⚠ Iskopčajte uređaj iz struje

### ČIŠĆENJE POVRŠINE PLOČE ZA KUHANJE

- Sve emajlirane i staklene površine treba čistiti toplom vodom i prirodnom otopinom.
- Tvrdi voda ili agresivni deterdženti mogu ostaviti mrlje na površinama od nehrđajućeg čelika ako predugo ostanu u kontaktu s njima. Svu prolivenu hranu (voda, umak, kava itd.) treba obrisati prije nego se osuši.
- Očistite čistom vodom i neutralnim deterdžentom i potom osušite mekom krpom. Uklonite zapečenu prljavštinu s posebnim sredstvima za čišćenje za površine od nehrđajućeg čelika.

**NAPOMENA: nehrđajući čelik čistite isključivo mekom krpom ili spužvom.**

- Ne koristite abrazivne ili korozivne proizvode, sredstva za čišćenje na bazi klora ili strugače za tave.
- Nemojte koristiti uređaje za parno čišćenje.
- Nemojte koristiti zapaljive proizvode.
- Nemojte ostavljati kiseline ili alkalne tvari, kao što su ocat, senf, sol, šećer ili limunov sok na ploči za kuhanje.

### ČIŠĆENJE DIJELOVA PLOČE ZA KUHANJE

- Staklene i emajlirane površine čistite isključivo mekom krpom ili spužvom.
- Mreže, poklopci i krune plamenika mogu se skinuti kako bi se očistili.
- Očistite ih ručno toplom vodom i neabrazivnim deterdžentom i uklonite sve ostatke hrane i provjerite da nijedan od otvora plamenika nije začepljen.
- Iperite i osušite.
- **Rešetke od lijevanog željeza mogu se prati u perilici posuđa. Uklonite zagorene ostatke hrane prije postavljanja rešetki u najnižu košaru perilice posuđa.**
- Ponovno postavite plamenike i poklopce plamenika u odgovarajuća kućišta.
- Prilikom postavljanja mreža, pobrinite se da područje za postavljanje posuđa bude poravnato s plamenikom.
- Modeli opremljeni električnim nastavcima za paljenje i sigurnosnim uređajem zahtijevaju temeljito čišćenje završetka nastavka kako bi se zajamčio pravilan rad. Te elemente provjeravajte često i po potrebi ih očistite vlažnom krpom. Svu zapečenu hranu treba ukloniti čačalicom ili iglom.

**NAPOMENA: kako biste izbjegli oštećenja električnih uređaja za paljenje, ne rabite ih kada se plamenici ne nalaze u njihovim kućištima.**



## RJEŠAVANJE PROBLEMA

Ako ploča za kuhanje ne radi pravilno, prije pozivanja postprodajnog servisa pogledajte vodič za otklanjanje poteškoća kako biste utvrdili problem.

### 1. Plamenik se ne može zapaliti ili je plamen nejednolik

Provjerite:

- jesu li isključeno električno napajanje i posebno je li ventil za plin otvoren;
- je li spremnik plina (tekući pin) prazan;
- jesu li začepljeni otvori plamenika;
- je li čep prljav;
- jesu li dijelovi plamenika ispravno sastavljeni;
- ima li propuha pokraj ploče za kuhanje.

### 2. Plamenik ne ostaje upaljen

Provjerite:

- je li prilikom paljenja plamenika gumb pritisnut dovoljno dugo kako bi se aktivirao zaštitni uređaj;
- jesu li začepljeni otvori plamenika pokraj termospojke;
- je li kraj zaštitnog uređaja prljav;
- je li pravilno podešen minimalni protok plina (pogledajte odgovarajuće poglavlje).

### 3. Lonci nisu stabilni

Provjerite:

- je li dno lonca savršeno ravno;
- je li lonac centriran na plameniku;
- jesu li zamijenjene mreže ili su nepravilno postavljene.

Ako i nakon navedenih provjera kvar ostaje, obratite se najbližem postprodajnom servisu.

## POSTPRODAJNI SERVIS

Kako bismo vam mogli pružiti potpuniju pomoć, registrirajte svoj uređaj na adresi [www.whirlpool.eu/register](http://www.whirlpool.eu/register).

### PRIJE NEGO ŠTO KONTAKTIRATE POSTPRODAJNI SERVIS:

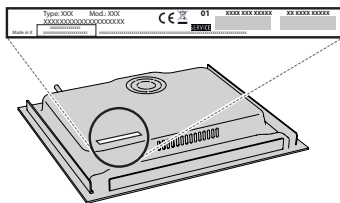
1. Pogledajte možete li sami riješiti problem uz pomoć prijedloga danih u **VODIČ ZA RJEŠAVANJE PROBLEMA**.
2. Isključite i ponovno uključite uređaj kako biste provjerili je li kvar uklonjen.

### AKO SE I NAKON NAVEDENIH PROVJERA KVAR I DALJE JAVLJA, OBRATITE SE NAJBLIŽEM POSTPRODAJNOM SERVISU.

Za pomoć nazovite broj u knjižici jamstva ili slijedite upute na webmjestu [www.whirlpool.eu](http://www.whirlpool.eu).

Kada kontaktirate korisničku službu uvijek navedite:

- kratki opis kvara,
- vrstu i točan model uređaja;



- serijski broj (broj iza reči SN na pločici sa podacima koja se nalazi ispod uređaja). Serijski broj je takođe naveden u dokumentaciji;



Mod. XXX XXX

Ind.C. XXXX XXXX XXXX

Prod.N. 86999XXXXXXX S.N. XXXX XXXX XXXX

- svoju punu adresu;
- svoj telefonski broj.

Ako je popravak potreban obratite se ovlaštenom Postprodajnom servisu (kako bi se jamčila uporaba originalnih rezervnih dijelova i ispravan popravak).

## BEZBEDNOSNA UPUTSTVA

## VAŽNO JE DA SE PROČITAJU I POŠTUJU

Preuzmite kompletno korisničko uputstvo sa adrese <http://docs.whirlpool.eu> ili pozovite broj telefona koji se nalazi u garantnoj knjižici.

⚠ Ova uputstva su validna ako se simbol zemlje javlja na uređaju. Ako simbol ne postoji na uređaju, potrebno je pogledati tehnička uputstva koja će vam pružiti potrebna uputstva u vezi sa modifikacijom uređaja u skladu sa uslovima korišćenja u zemlji.

⚠ OPREZ: Korišćenje uređaja za kuvanje na gas rezultira proizvodnjom toplote, vlage i proizvoda sagorevanja u prostoriji u kojoj je instaliran. Vodite računa da kuhinja ima dobru ventilaciju, naročito kada se uređaj koristi: držite prirodne otvore za ventilaciju otvorenim ili instalirajte mehanički uređaj za ventilaciju (mehanički aspirator za ekstrakciju). Za dužu intenzivnu upotrebu uređaja može biti potrebna dodatna ventilacija (na primer, otvaranje prozora) ili efikasnija ventilacija (na primer, povećavanje nivoa mehaničke ventilacije, ako je moguće).

⚠ Ako se informacije iz ovog priručnika ne slede precizno, može doći do požara ili eksplozije, što može dovesti do oštećenja imovine ili povrede.

Pažljivo pročitajte ova bezbednosna uputstva pre upotrebe uređaja. Sačuvajte ih za buduću upotrebu. Ovaj priručnik i sam uređaj pružaju važna bezbednosna upozorenja koja morate pročitati i kojih se morate uvek pridržavati. Proizvođač se odriče svake odgovornosti u slučaju nepoštovanja ovih bezbednosnih uputstava, nepravilnog korišćenja uređaja ili nepravilno podešenih kontrola.

⚠ UPOZORENJE: Ukoliko je površina ploče za kuvanje naprsila, ne koristite uređaj – rizik od strujnog udara.

⚠ UPOZORENJE: Opasnost od požara: Ne stavljate nikakve predmete na površinu za kuvanje.

⚠ OPREZ: Proces kuvanja mora da se nadgleda. Kraći proces kuvanja mora neprekidno da se nadgleda.

⚠ UPOZORENJE: Kuvanje na ploči bez nadzora, kada se koristi mast ili ulje, može da bude opasno - postoji rizik od požara. NIKADA nemojte pokušavati da ugasite požar vodom, već isključite uređaj, a zatim pokrijte plamen, npr. poklopcem ili vatrostalnim prekrivačem.

⚠ Ne koristite ploču za kuvanje kao radnu površinu ili potporu. Krpe i druge zapaljive materijale držite dalje od uređaja dok se svi delovi potpuno ne ohlade – postoji rizik od požara.

⚠ Vaoma malu decu (do 3 godine) treba držati dalje od uređaja. Malu decu (3-8 godina) treba držati dalje od uređaja, osim ukoliko imaju konstantan nadzor. Deca starosti od 8 godina i više i osobe sa umanjenim fizičkim, čulnim ili mentalnim sposobnostima ili manjkom iskustva i znanja, mogu da koriste ovaj uređaj samo ako su pod nadzorom ili ako su im data uputstva za bezbedno korišćenje uređaja i ukoliko razumeju moguće rizike. Deca se ne smeju igrati

uređajem. Čišćenje i održavanje ne smeju vršiti deca bez nadzora.

⚠ OPREZ: U slučaju pucanja stakla ploče za kuvanje: odmah isključite sve gorionike i sve električne grejače i izolujte uređaj sa električnog napajanja; ne dodirujte površinu uređaja; ne koristite uređaj.

Stakleni poklopac može da pukne ako se zagreje. Isključite sve gorionike i električne ploče pre zatvaranja poklopca. Ne zatvarajte poklopac kada je gorionik uključen.

⚠ UPOZORENJE: Uređaj i njegovi dostupni delovi jako se zagrevaju u toku upotrebe. Pobrinite se da ne dođe do kontakta sa grejačima. Decu mlađu od 8 godina treba uvek držati po strani, ukoliko nisu pod stalnim nadzorom.

### DOZVOLJENA UPOTREBA

⚠ OPREZ: Uređaj nije predviđen da se njime upravlja spoljnim uređajem za uključivanje, kao što je tajmer, ili odvojenim sistemom za daljinsko upravljanje.

⚠ Ovaj uređaj je namenjen za korišćenje u domaćinstvu i za sličnu primenu, kao što je: kuhinjama za osoblje u prodavnicama, kancelarijama i drugim radnim okruženjima; seoskim gazdinstvima; od strane gostiju hotela, motela, prenočišta sa doručkom i drugih objekata za smeštaj gostiju.

⚠ Nijedna druga upotreba nije dozvoljena (npr. zagrevanje prostorija).

⚠ Ovaj uređaj nije namenjen za profesionalnu upotrebu. Ne koristite uređaj na otvorenom.

⚠ Koristite lonce i tiganje čije je dno iste širine kao gorionik ili nešto veće (pogledajte određenu tabelu). Uverite se u to da lonci na rešetkama za posude ne budu istureni izvan ruba ploče za kuvanje.

⚠ Nepravilno korišćenje rešetki može rezultirati oštećenjem ploče za kuvanje: nemojte da postavljate rešetke naopačke ili da njima klizite preko ploče za kuvanje.

Nemojte dozvoliti da se plamen gorionika proširi preko ivica tiganja. Ukoliko je površina ploče za kuvanje od staklenog materijala, ne koristite tiganje od livenog gvožđa, kamenje za pečenje, lonce i tiganje od gline. Nemojte da koristite: Rasipače toplote kao što su metalne mreže ili drugi. Istovremeno dva gorionika za jednu posudu (npr. lonac za riblju čorbu). ukoliko se gorionik teško pali usled posebnih lokalnih uslova isporuke gasa, preporučujemo vam da ponovite postupak okretanjem dugmeta u položaj za najmanji plamen.

U slučaju instaliranja ploče za kuvanje iznad radne površine, pogledajte uputstva za aspirator za pravilno rastojanje.

Zaštitne gumene stope na rešetkama predstavljaju opasnost od gušenja za malu decu. Nakon uklanjanja rešetki, vodite računa da sve stope budu pravilno postavljene.

### INSTALACIJA

⚠ Ovim uređajem moraju rukovati i montirati ga dve ili više osoba - rizik od povrede. Prilikom raspakivanja i ugradnje, koristite zaštitne rukavice - rizik od posekotina.

⚠ Električni i gasni priključci moraju biti u skladu sa lokalnim propisima.

⚠ Ugradnju, uključujući dovod vode (ako postoji) i električne priključke, i popravke mora da obavi kvalifikovani tehničar. Ne popravljajte delove uređaja ili da ih menjate ukoliko to nije izričito navedeno u

uputstvu za upotrebu. Držite decu podalje od mesta ugradnje. Posle vađenja uređaja iz pakovanja proverite da se nije oštetio tokom transporta. U slučaju da postoje neki problemi, obratite se svom prodavcu ili najbližem postprodajnom servisu. Nakon ugradnje, otpadna ambalaža (plastični delovi, delovi od stiropora itd.) se mora čuvati van domašaja dece - rizik od gušenja. Pre ugradnje, uređaj se mora isključiti sa strujnog napajanja - rizik od strujnog udara. Pazite da uređaj ne ošteti kabl za napajanje tokom ugradnje - rizik od požara ili strujnog udara. Aktivirajte uređaj tek nakon što je postupak ugradnje završen.

⚠ UPOZORENJE: Modifikacija uređaja i način instalacije su osnovni za bezbedno i pravilno korišćenje uređaja u svim zemljama.

⚠ Koristite regulatore pritiska pogodne za pritisak gasa naznačen u uputstvu.

⚠ Prostorija mora imati sistem za ekstrakciju vazduha, koji odvodi sva isparenja nastala sagorevanjem. Može se sastojati od aspiratora ili električnog ventilatora koji se automatski uključuju svaki put kada se uređaj uključi.

⚠ Prostorija takođe mora da omogućava pravilnu cirkulaciju vazduha, jer je vazduh potreban za normalno sagorevanje. Protok vazduha ne sme biti manji od 2 m<sup>3</sup>/h po kW instaliranog napajanja.

⚠ Sistem za cirkulaciju vazduha može uzimati vazduh direktno iz spoljašnjosti putem cevi unutrašnjeg preseka od najmanje 100 cm<sup>2</sup>; otvor ne sme biti podložen nijednoj vrsti blokade.

⚠ Sistem takođe može indirektno dopremati vazduh potreban za sagorevanje, tj. iz susednih prostorija opremljenih cevima za cirkulaciju vazduha, kao što je prethodno navedeno. Međutim, ove prostorije ne smeju biti dnevne sobe, spavaće sobe ili prostorije koje mogu predstavljati opasnost od požara.

⚠ Tečni naftni gas curi na pod, jer je teži od vazduha. Stoga, prostorije koje sadrže LPG cilindre takođe moraju biti opremljene otvorima za odvod gasa u slučaju curenja. Za rezultat LPG cilindri, bilo da su delimično ili potpuno puni, se ne smeju instalirati niti čuvati u prostorijama ili skladišnim prostorima koji su ispod nivoa zemlje (podrumi itd.). Savetuje se da se samo cilindar koji se koristi čuva u prostoriji, postavljen tako da ne bude izložen toploti koju proizvode spoljašnji izvori (pećnice, kamini, šporeti itd.) koji mogu da podignu temperaturu cilindra iznad 50 °C.

U slučaju poteškoća sa okretanjem dugmadi za gorionike, kontaktirajte postprodajni servis radi zamene slavine gorionika u slučaju da je neispravna. Otvori koji se koriste za ventilaciju i raspršivanje toplote se nikada ne smeju pokrivati.

⚠ Uklonite sve drvene delove nameštaja pre ugradnje uređaja i uklonite svu piljevinu i strugotinu.

⚠ Ako se uređaj ne postavlja iznad pećnice, pregradna ploča (nije uključena) se mora instalirati u odeljak ispod uređaja.

#### **PRIKLJUČENJE GASA**

⚠ UPOZORENJE: Pre instalacije, vodite računa da lokalni uslovi za distribuciju (prirodnog gasa i pritiska gasa) i konfiguracija uređaja budu kompatibilni.

⚠ Proverite da li je pritisak dovoda gasa konzistentan sa vrednostima navedenim u tabeli „Specifikacije gorionika i mlaznice“.

⚠ UPOZORENJE: Uslovi konfiguracije ovog uređaja navedeni su u tabeli (ili na pločici sa podacima).

⚠ UPOZORENJE: Ovaj uređaj nije povezan na uređaj za odvod proizvoda sagorevanja. On se mora instalirati i povezati u skladu sa važećim propisima za instaliranje. Posebna pažnja se mora obratiti na odgovarajuće zahteve u pogledu ventilacije.

⚠ Ako su uređaji povezani na tečni gas, zavrtnanj za regulaciju mora biti zategnut što je više moguće.

⚠ VAŽNO: Ako se instaliraju boca ili posuda za gas, one moraju biti pravilno postavljene (uspravno).

⚠ UPOZORENJE: Ovu operaciju mora da obavi kvalifikovani tehničar.

⚠ Za priključenje gasa koristite samo metalno crevo ili cev.

⚠ Priključak pomoću čvrste cevi (bakarne ili čelične) Povezivanje na gasni sistem se mora olabaviti na takav način da za uređaj ne postoji nikakav napor. Na dovodnoj rampi na uređaju postoji podesivi priključak za cev u obliku slova L, a postavljen je sa zaptivkom kako bi se sprečilo curenje. Zaptivka se uvek mora postaviti nakon okretanja priključka za cev (zaptivka se dostavlja uz uređaj). Priključak za cev za dovod gasa je navojni 1/2 gasni cilindrični muški priključak.

⚠ Povezivanje fleksibilne cevi od nerđajućeg čelika bez zglobova na navojni priključak. Priključak za cev za dovod gasa je navojni 1/2 gasni cilindrični muški priključak. Ove cevi se moraju instalirati tako da nikada ne budu duže od 2000 mm kada se potpuno rašire. Kada se obavi priključivanje, vodite računa da fleksibilna metalna cev ne dodiruje nijedan pokretan deo i da ne bude komprimovana. Koristite samo cevi i zaptivke koje su u skladu sa važećim nacionalnim propisima.

⚠ VAŽNO: Ako se koristi crevo od nerđajućeg čelika, ono se mora instalirati tako da ne dodiruje nijedan pokretan deo nameštaja (npr. fioku). Mora da prolazi kroz prostor bez prepreka i gde može da se proverava čitavom dužinom.

⚠ Uređaj treba povezati na glavni dovod gasa ili na gasni cilindar u skladu sa važećim nacionalnim propisima. Pre povezivanja, proverite da li je uređaj kompatibilan sa dovodom gasa koji želite da koristite. Ako to nije slučaj, sledite uputstva iz odeljka „Adaptiranje na različite vrste gasa“.

⚠ Posle priključenja na gas proverite sapunicom da li gde curi. Uključite gorionike i okrenite dugmad od maks. položaja 1\* do minimalnog položaja 2\* da biste proverili stabilnost plamena.

#### **PRILAGODAVANJE RAZNIM VRSTAMA GASA**

(Ovu operaciju mora da obavi kvalifikovani tehničar).

⚠ Da biste adaptirali uređaj za vrstu gasa koja nije ona za koju je on proizveden (naznačeno na nazivnoj etiketi), sledite propisane korake navedene nakon crteža za instalaciju.

## UPOZORENJA VEZANA ZA ELEKTRIČNU ENERGIJU

⚠ **VAŽNO:** Informacije o potrošnji struje i o naponu su navedene na nazivnoj pločici.

⚠ Mora biti omogućeno isključivanje uređaja sa napajanja izvlačenjem utikača iz utičnice, ukoliko joj se može pristupiti, ili putem dostupnog višepolnog prekidača postavljenog iznad utičnice u skladu sa pravilima ožičenja, a uređaj mora biti uzemljen u skladu sa nacionalnim standardima električne bezbednosti.

⚠ Kabl za napajanje mora da bude dovoljno dug za povezivanje uređaja na napajanje nakon njegovog postavljanja u kućište. Nemojte vući električni kabl za napajanje.

⚠ Ne koristite produžne kablove, višestruke utičnice ili adaptere. Nakon ugradnje električni delovi ne smeju da budu dostupni korisniku. Ne koristite uređaj kada ste mokri ili bos. Ne rukujte ovim uređajem ako mu je oštećen kabl za napajanje ili utikač, ako ne radi kako treba, ili ako je oštećen ili ste ga ispustili.

⚠ Ukoliko je kabl za napajanje oštećen, potrebno je da ga proizvođač, serviser ili druga kvalifikovana osoba zameni istim takvim kako bi se izbegla opasnost – postoji rizik od električnog udara.


### ČIŠĆENJE I ODRŽAVANJE

⚠ **UPOZORENJE:** Pre obavljanja čišćenja ili održavanja, vodite računa da uređaj bude isključen i da ne bude priključen na strujno napajanje; nikada ne koristite opremu za čišćenje parom – postoji rizik od električnog udara.

⚠ Nemojte da koristite abrazivne ili korozivne proizvode, sredstva za čišćenje na bazi hlora ili mrežice za čišćenje posuđa.

⚠ Kada gorionici nisu u kućištu, nemojte da koristite uređaj za električno paljenje kako biste izbegli njegovo oštećenje.

### ODLAGANJE AMBALAŽE


Materijal za pakovanje je moguće 100 % reciklirati i označen je reciklažnim simbolom .

Zato različite delove ambalaže treba odgovorno odložiti i u potpunosti u skladu sa propisima lokalnih vlasti o odlaganju otpada.

### ODLAGANJE KUĆNIH UREĐAJA

Ovaj uređaj je proizveden od materijala koji se mogu reciklirati ili ponovo upotrebiti. Odložite ga u skladu s lokalnim propisima o odlaganju otpada. Za više informacija o tretmanu, ponovnom iskorišćavanju i reciklaži kućnih električnih uređaja obratite se nadležnom lokalnom organu vlasti, službi za sakupljanje komunalnog otpada ili prodavnici u kojoj ste kupili uređaj. Ovaj uređaj je označen u skladu sa Evropskom direktivom 2012/19/EU o električnoj i elektronskoj opremi (WEEE) i u skladu sa regulativama o električnoj i elektronskoj opremi 2013 (sa izmenama i dopunama).

Ako pravilno odložite proizvod na otpad, pomoći ćete u sprečavanju potencijalnih negativnih posledica po životnu sredinu i zdravlje ljudi.

Simbol  na proizvodu ili pratećim dokumentima ukazuje na to da sa njim ne treba postupati kao sa komunalnim otpadom, već ga treba predati odgovarajućem centru za sakupljanje i reciklažu električne i elektronske opreme.

### SAVETI ZA UŠTEDU ENERGIJE

Koristite šerpe i tiganje čija je širina dna jednaka zoni za kuvanje.

Koristite samo šerpe i tiganje sa ravnim dnom.

Kad god je moguće, poklopci treba da budu na posuđu tokom kuvanja.

Koristite ekspres lonac da biste još više uštedeli energiju i vreme.

### IZJAVA O USAGLAŠENOSTI

Ovaj uređaj ispunjava zahteve za Evropsku odredbu 66/2014 i propise za ekološki dizajn za proizvode u vezi sa energijom i energetske informacije (amandman) (izlazak iz EU) 2019, u skladu sa Evropskim standardom EN 30-2-1.



| Vrsta korišćenog gasa                             | Vrsta gorionika | Oznaka injektora | Nazivni protok toplote<br>u kW | Nazivna potrošnja | Smanjen toplotni kapacitet<br>u kW | Pritisak gasa<br>mbara |      |       |
|---|-----------------|------------------|--------------------------------|-------------------|------------------------------------|------------------------|------|-------|
|   |                 |                  |                                |                   |                                    | min.                   | naz. | maks. |
| GAZE NATURALE<br>(Metan) <b>G20</b>               | Polubrzi (SR)   | 97 A             | 1,65                           | 157 l/h           | 0,40                               | 17                     | 20   | 25    |
|   | Pomoćni (AUX)   | 78 A             | 1,00                           | 95 l/h            | 0,40                               |                        |      |       |
|   | 2 prstena (DC)  | 140 H1           | 3,50                           | 333 l/h           | 2,20                               |                        |      |       |
| GAZ PETROLIER<br>LICHEFIAT<br>(Butan) <b>G30</b>  | Polubrzi (SR)   | 66 A             | 1,65                           | 120 g/h           | 0,40                               | 20                     | 30   | 35    |
|   | Pomoćni (AUX)   | 50               | 1,00                           | 73 g/h            | 0,40                               |                        |      |       |
|   | 2 prstena (DC)  | 91               | 3,30                           | 240 g/h           | 2,20                               |                        |      |       |
| GAZ PETROLIER<br>LICHEFIAT<br>(Propan) <b>G31</b> | Polubrzi (SR)   | 66 A             | 1,65                           | 118 g/h           | 0,40                               | 20                     | 30   | 35    |
|   | Pomoćni (AUX)   | 50               | 1,00                           | 71 g/h            | 0,40                               |                        |      |       |
|   | 2 prstena (DC)  | 91               | 3,30                           | 236 g/h           | 2,20                               |                        |      |       |

| Vrsta korišćenog gasa | Konfiguracija modela<br>4 GORIONICI | Nazivni protok toplote<br>(u Kw) | Ukupna nazivna<br>potrošnja | Vazduh (m <sup>3</sup> ) potreban za<br>sagorevanje 1m <sup>3</sup> gasa |
|-----------------------|-------------------------------------|----------------------------------|-----------------------------|--|
| <b>G20</b> 20 mbar    | 2SR - 1AUX - 1DC                    | 7,80                             | 743 l/h                     | 9,52   |
| <b>G30</b> 30 mbar    | 2SR - 1AUX - 1DC                    | 7,60                             | 553 g/h                     | 30,94  |
| <b>G31</b> 30 mbar    | 2SR - 1AUX - 1DC                    | 7,60                             | 543 g/h                     | 23,80  |

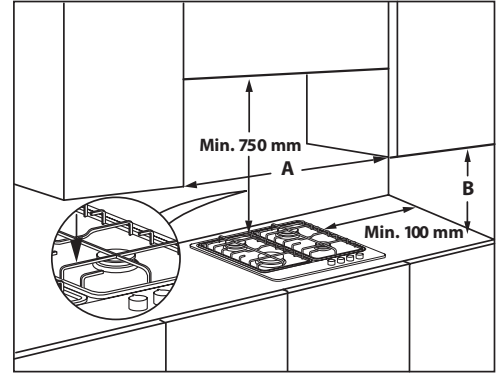
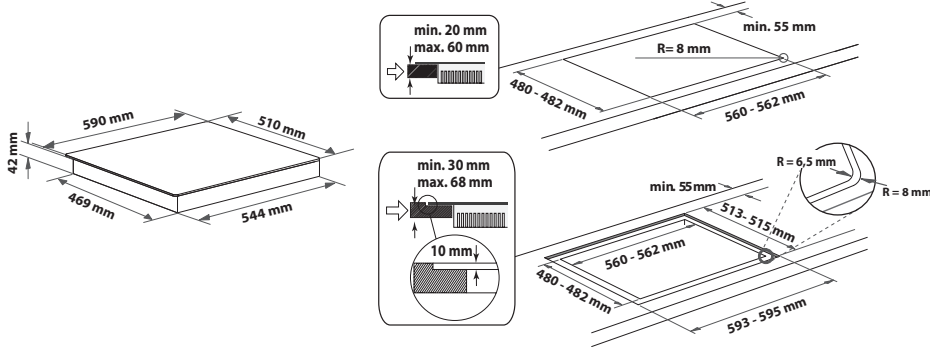
**ELEKTRIČNO NAPAJANJE: 220-240 V ~ 50-60 Hz - 1,1 W**

## MONTAŽA (KLASA 3)

### TEHNIČKE INFORMACIJE ZA MONTERA

- Prilikom rukovanja proizvodom, njegove pripreme i montaže koristite zaštitne rukavice.
- Ovaj proizvod može da se ugradi u radnu površinu debljine od 20 do 60 mm, sa standardnom instalacijom. Za ispiranje instalacije 30 ÷ 68.
- Ukoliko ispod ploče za kuvanje nema rerne, montirajte pregradnu ploču sa površinom koja je najmanje jednaka otvoru u radnoj površini. Ploču treba montirati najviše 150 mm ispod gornjeg dela radne površine, ali ne manje od 20 mm od donjeg dela ploče za kuvanje. Ukoliko želite da ispod ploče za kuvanje montirate rernu, pobrinite se da je opremljena sistemom za hlađenje.

### DIMENZIJE I RAZMACI



Pre nanošenja silikona, površina za kuvanje treba da je centrirana u izrezu

**NAPOMENA:** ako je razmak „A“ između strana elemenata od 600 do 730 mm, visina „B“ mora biti najmanje 530 mm. Ako je razmak „A“ između strana elemenata veći od širine ploče za kuvanje, visina „B“ mora biti najmanje 400 mm. U slučaju montaže aspiratora iznad površine za kuvanje, informacije o pravilnim razmacima potražite u uputstvu za aspirator.

### SASTAVLJANJE

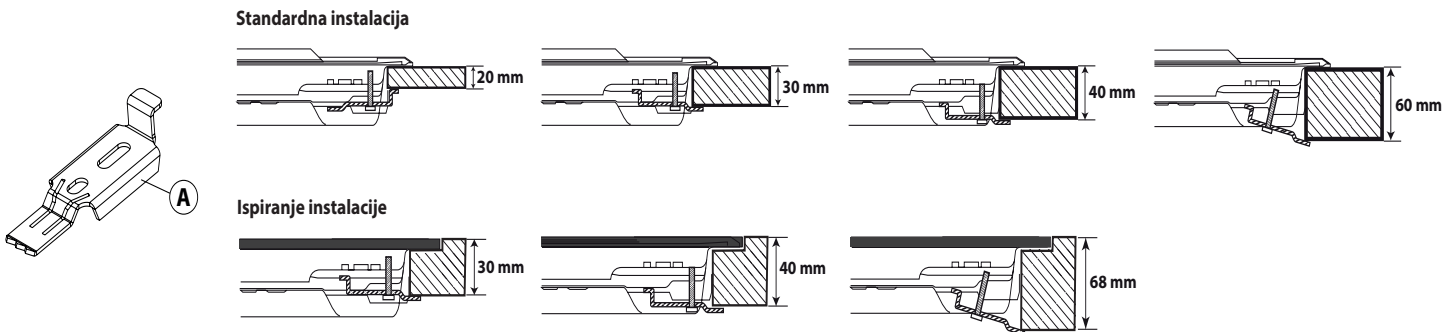
Nakon čišćenja okolne površine, postavite datu zaptivku na ploču za kuvanje kao što je prikazano na slici.

Stavite ploču za kuvanje u otvor na radnoj površini napravljen u skladu sa dimenzijama navedenim u uputstvu.



**NAPOMENA:** električni kabl za napajanje mora da bude dovoljno dug za izvlačenje prema gore.

Pričvrstite ploču za kuvanje korišćenjem priloženih nosača (A). Stavite nosače na odgovarajuće rupe obeležene strelicom i pričvrstite ih vijcima u skladu sa debljinom radne površine (pogledajte sledeće slike).

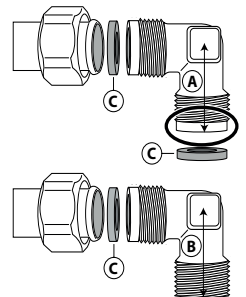


### PRIKLJUČENJE GASA

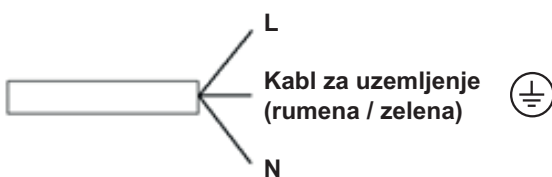
- Priključite priložen kolenasti fitting (A)\* ili (B)\* na glavnu dovodnu cev ploče za kuvanje stavljajući pri tome između priloženu podlošku (C) u skladu sa standardom EN 549.

\* Upotrebite kolenasti fitting (A) u Francuskoj, a fitting (B) u svim ostalim zemljama.

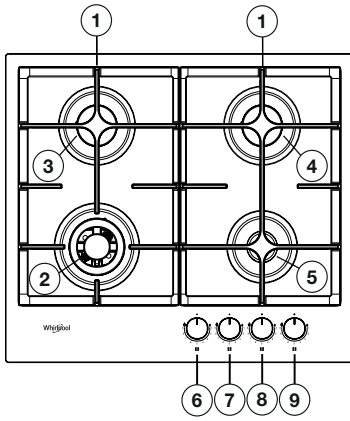
- Posle priključenja na gas proverite sapunicom da li gde curi. Uključite gorionike i okrenite dugmad od maksimalnog do minimalnog položaja kako biste proverili stabilnost plamena.



### ELEKTRIČNI PRIKLJUČAK



# OPIS PROIZVODA



1. Rešetke za postavljanje posuda koje mogu da se skinu
2. 2 prstena gorionik
3. Polubrzi gorionik
4. Polubrzi gorionik
5. Pomoćni gorionik
6. Dugme za upravljanje 2 prstena gorionikom
7. Dugme za upravljanje polubrzim gorionikom
8. Dugme za upravljanje polubrzim gorionikom
9. Dugme za upravljanje pomoćnim gorionikom

## Simboli

- Zacrtnjen krug ● Slavina zatvorena
- Velik plamen 🔥 Maksimalno otvaranje/dovod i električno paljenje
- Mali plamen 🔥 Minimalan otvor ili umanjen dovod

## PRVA UPOTREBA

### KAKO KORISTITI PLOČU ZA KUVANJE

⚠ Nemojte dozvoliti da se plamen gorionika proširi preko ivica tiganja.

**VAŽNO: prilikom korišćenja ploče za kuvanje čitav deo na kome se nalazi ploča za kuvanje može da postane vruć.**

- Kako biste upalili jedan od gorionika, okrenite odgovarajuće dugme suprotno od pravca kretanja kazaljke na satu do položaja za najveći plamen.
- Pritisnite dugme do komandne table kako biste upalili gorionik.
- Pošto se gorionik upali, nastavite da pritiskate dugme otprilike 5–10 sekundi kako biste omogućili pravilan rad uređaja.
- Uređaj za zaštitu gorionika prekinuće dovod gasa do gorionika ukoliko se plamen slučajno ugasi (u slučaju iznenadne promaje, prekida u snabdevanju gasom, prekipljenja tečnosti itd.).
- **Dugme se ne sme pritiskati više od 15 sekundi. Ukoliko se posle tog vremena gorionik ne upali, sačekajte najmanje jednu minutu pre ponovnog paljenja.**

**NAPOMENA: ukoliko se gorionik teško pali usled posebnih lokalnih uslova isporuke gasa, preporučujemo vam da ponovite postupak okretanjem dugmeta u položaj za najmanji plamen.**

**Gorionik može da se ugasi pošto pustite dugme.** To znači da se zaštitni uređaj nije dovoljno jako zagrejavao. U tom slučaju ponovite goreopisani postupak. U slučaju da se plamen gorionika slučajno ugasi, isključite gorionik i ne pokušavajte da ga ponovo upalite bar jedan minut.

### PRAKTIČNI SAVETI ZA KORIŠĆENJE GORIONIKA

Ova ploča za kuvanje ima gorionike različitih prečnika. Kako bi gorionici što bolje radili, pridržavajte se sledećih pravila:

- Koristite lonce i tiganje čiji je prečnik jednak prečniku gorionika ili nešto veći (pogledajte tabelu na desnoj strani).
- Koristite samo lonce i tiganje sa ravnim dnom.
- Upotrebite pravu količinu vode za pripremanje hrane i poklopite lonac.
- Pobrinite se da lonci na rešetki ne vire preko ivice ploče za kuvanje.
- U slučaju tiganja sa izbočenim dnom (vok) upotrebite pomoćni stalak (nije priložen) koji treba da se koristi isključivo na gorioniku sa više prstenova.
- Izbegavajte slučajne udarce šerpama, rešetkama ili drugim kuhinjskim priborom.
- Ne ostavljajte prazne roštiljske tiganje na uključenom šporetu duže od 5 minuta.

**VAŽNO: nepravilno korišćenje rešetaka može da ošteti ploče za kuvanje: nemojte da postavljate rešetke naopačke ili da njima klizite preko ploče za kuvanje.**

| GORIONIK  | Ø LONCA        |
|-----------|----------------|
| 2 prstena | Od 24 do 26 cm |
| Polubrzi  | Od 16 do 22 cm |
| Pomoćni   | Od 8 do 14 cm  |

Nemojte da koristite:

- Ploče za kuvanje od livenog gvožđa, kamenje za pečenje, lonce i tiganje od gline.

- Rasipače toplote kao što su metalne mreže ili drugi.
- Istovremeno dva gorionika za jednu posudu (npr. lonac za riblju čorbu). Tečnost prolivena po vrućoj ploči za kuvanje može da ošteti staklo.

### PRILAGOĐAVANJE APARATA RAZLIČITIM VRSTAMA GASA

⚠ Radove opisane u nastavku treba da izvrši kvalifikovan serviser.

Ukoliko je aparat namenjen za upotrebu sa vrstom gasa koja se razlikuje od vrste gasa navedene na natpisnoj pločici i nalepnici sa informacijama na gornjem delu ploče za kuvanje, zamenite injektore. Skinite nalepnicu sa informacijama i stavite je u knjižicu sa uputstvima.

**Upotrebite regulatore pritiska koji odgovaraju pritisku gasa navedenom u uputstvu:**

- Gasni injektor treba da zameni služba za korisnike ili kvalifikovan serviser.
- Injektor koji nije isporučen zajedno sa aparatom treba naručiti kod službe za korisnike.
- Podesite položaj slavina vezano za najmanju količinu gasa.

**NAPOMENA: ukoliko se koristi tačni naftni gas (G30/G31), vijak za podešavanje najmanje količine gasa treba da se što jače zavrne.**

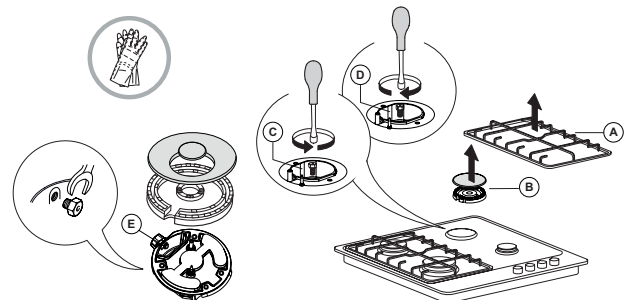
**VAŽNO: u slučaju problema sa okretanjem dugmadi za gorionike, obratite se službi za korisnike radi zamene slavine gorionika u slučaju da je neispravna.**

**VAŽNO: u slučaju korišćenja boce ili posude za gas ista mora da bude pravilno postavljena (uspravno).**

### ZAMENA INJEKTORA (pogledajte tablicu mlaznica u Bezbednosnim uputstvima)

⚠ Radove opisane u nastavku treba da izvrši kvalifikovan serviser.

- Skinite rešetke (A).
- Izvucite gorionike (B).
- Pomoću nasadnog ključa odgovarajuće veličine odvrnite injektor (C), koji treba zameniti.
- Zamenite ga injektorom koji odgovara novoj vrsti gasa.
- Ponovo sastavite injektor u (D).
- U slučaju gorionika sa višestrukom krunom zamenite injektor (E) pomoću viljuškastog ključa.



Pre montaže ploče za kuvanje pričvrstite pločicu za kalibraciju gasa isporučenu zajedno sa injektorima na način da pokriva postojeće informacije u vezi sa kalibracijom gasa.

## PODEŠAVANJE SLAVINA VEZANO ZA NAJMANJU KOLIČINU GASA

⚠ Radove opisane u nastavku treba da izvrši kvalifikovan serviser.

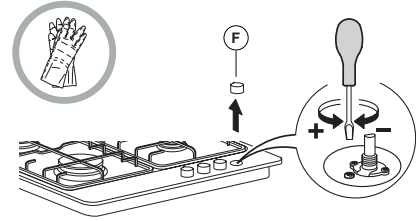
Podešavanje treba izvršiti sa slavinom u položaju za najmanju količinu gasa (fiamma piccola) ⚙:

Primarni vazduh gorionika ne mora se podesiti.

Kako bi najmanja količina bila pravilno podešena, skinite dugme (F) i postupite na sledeći način:

- zavrnite vijak kako biste smanjili visinu plamena (-);
- odvrnite vijak kako biste povećali visinu plamena (+).

Uključite gorionike i okrenite dugmad od maksimalnog ⚙ do minimalnog položaja ⚙ kako biste proverili stabilnost plamena.



Posle završetka podešavanja ponovo zaptite voskom za zaptivanje ili ekvivalentnim materijalom.

## PLAMEN NA VIŠE NIVOA

| NIVO | NAČIN/VRSTA KUVANJA (PREPORUČUJE SE ZA) | SAVETI ZA KUVANJE  |
|------|---|--|
| 1-2  | ODRŽAVANJE TOPLOTE                      | Idealno za omekšavanje putera, sporo topljenje čokolade na pari, otapanje malih porcija, kremasti rižoto.  |
|      | BLAGO KUVANJE                           |  |
| 3-4  | LAGANO KLJUČANJE                        | Idealno za recepte sa sporijim kuvanjem (pirinač, soseve, pečenje, ribu) sa tečnostima (vodom, vinom, supom) i za pripremu kremaste paste, uz održavanje blagog ključanja. |
|      | KRČKANJE                                |  |
| 5-6  | PEČENJE                                 | Idealno za dinstanje, krčkanje povrća, dugo kuvanje, dodatni pribor za predzagrevanje, kuvanje dok ne postane kremasto.  |
|      | PRŽENJE                                 |  |
| 7-8  | PRŽENJE UZ MEŠANJE                      | Idealno za stvaranje zapečene korice, početak kuvanja, brzo ključanje tečnosti, prženje duboko zamrznutih proizvoda, grilovanje mesa i ribe, održavanje ključanja.         |
|      | GRILOVANJE                              |  |
| 9    | BRZO ZAGREVANJE                         | Idealno za brzo povećavanje temperature hrane ili za brzo zagrevanje tečnosti (voda).  |

## ODRŽAVANJE I ČIŠĆENJE

⚠ Isključite uređaj sa električne mreže.

### ČIŠĆENJE PLOČE ZA KUVANJE

- Sve emajlirane i staklene delove treba čistiti toplom vodom i neutralnim rastvorom.
- Površine od nerđajućeg čelika mogu da promene boju ukoliko ostanu predugo u dodiru sa tvrdom vodom ili agresivnim detergentima. Prolivenu tečnost (vodu, sos, kafu itd.) treba obrisati pre nego što se osuši.
- Očistite ploču za kuvanje toplom vodom i neutralnim detergentom, a zatim je obrisite mekanom krpom ili krpom od kože. Skinite skorele ostatke pomoću posebnih sredstava za čišćenje površina od nerđajućeg čelika.

**NAPOMENA: površine od nerđajućeg čelika čistite samo mekanom krpom ili sunđerom.**

- Nemojte da koristite abrazivne ili korozivne proizvode, sredstva za čišćenje na bazi hlora ili mrežice za čišćenje posuđa.
- Nemojte da koristite uređaje za čišćenje parom.
- Nemojte da koristite zapaljive proizvode.
- Nemojte da ostavljate kisele ili alkalne materije kao što su sirće, senf, so, šećer ili sok od limuna na ploči za kuvanje.

### ČIŠĆENJE DELOVA PLOČE ZA KUVANJE

- Staklene i emajlirane delove treba čistiti isključivo mekanom krpom ili sunđerom.
- Rešetke, poklopci gorionika i gorionici mogu da se skinu kako bi se očistili.
- Očistite ih rukom koristeći toplu vodu i neabrazivan detergent i pri tome skinite sve ostatke hrane i proverite da li su otvori gorionika zapušeni.
- Isperite i osušite.
- **Rešetke od livenog gvožđa se mogu prati u mašini za pranje sudova.**
- **Uklonite svu zagorelu hranu pre nego što postavite rešetke na najnižu pregradu u mašini za pranje sudova.**
- Vratite gorionike i njihove poklopce u odgovarajuća kućišta.
- Prilikom zamene rešetaka pobrinite se da mesto na kome stoji posuda bude tačno iznad gorionika.
- Kod modela sa dugmetom za električno paljenje gasa i zaštitnim uređajem treba dobro očistiti dugme kako bi se obezbedio pravilan rad. Redovno proveravajte te delove i po potrebi ih očistite nakvašenom krpom. Skinite skorele ostatke hrane čačalicom ili iglom.

**NAPOMENA: kada gorionici nisu u kućištu, nemojte da koristite uređaj za električno paljenje kako biste izbegli njegovo oštećenje.**



## OTKLANJANJE PROBLEMA

Ukoliko ploča za kuvanje ne radi kako bi trebalo, pogledajte vodič za rešavanje problema pre nego što pozovete službu za korisnike.

### 1. Gorionik neće da se upali ili plamen nije ravnomeran

Proverite:

- da li su dovodi gasa ili električne energije zatvoreni, odnosno isključeni, a naročito da li je slavina za dovod gasa otvorena;
- da li je boca za gas (tečni gas) prazna;
- da li su otvori u gorioniku zapušeni;
- da li je dugme za paljenje gasa zaprljano;
- da li su svi delovi gorionika pravilno postavljeni;
- da li u blizini ploče za kuvanje ima promaje.

### 2. Gorionik se gasi

Proverite:

- da li je prilikom paljenja gorionika dugme dovoljno dugo pritisnuto kako bi se uključio zaštitni uređaj;
- da li su otvori u gorioniku pored termopara zapušeni;
- da li je završetak zaštitnog uređaja zaprljan;
- da li je najmanja količina gasa pravilno podešena (pogledajte odgovarajući odeljak).

### 3. Posude nisu stabilne

Proverite:

- da li je površina na kojoj stoji posuda potpuno ravna;
- da li je posuda postavljena tačno iznad gorionika;
- da li su rešetke zamenjene ili nepravilno postavljene.

Ukoliko i posle navedenih provera kvar još uvek postoji, obratite se najbližoj službi za korisnike.

## POSTPRODAJNI SERVIS

U cilju dobijanja sveobuhvatne pomoći i podrške, registrujte proizvod na [www.whirlpool.eu/register](http://www.whirlpool.eu/register).

### PRE NEGO ŠTO POZOVETE POSTPRODAJNI SERVIS:

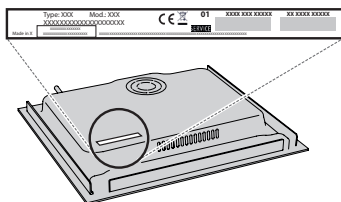
1. Proverite da li možete da rešite problem sami uz pomoć saveta datih u odeljku **OTKLANJANJE PROBLEMA**.
2. Uključite pa isključite uređaj i proverite da li je kvar i dalje prisutan.

### UKOLIKO I NAKON GORENAVEDENIH PROVERA KVAR I DALJE POSTOJI, OBRATITE SE NAJBLIŽEM POSTPRODAJNOM SERVISU.

Za dobijanje podrške, pozovite broj prikazan na garantnoj knjižici, ili sledite instrukcije na veb stranici [www.whirlpool.eu](http://www.whirlpool.eu).

Prilikom kontaktiranja našeg postprodajnog servisa za kupce potrebno je da navedete:

- kratak opis kvara;
- tip i tačan model uređaja;



- serijski broj (broj iza reči SN na pločici sa podacima koja se nalazi ispod uređaja). Serijski broj je takođe naveden u dokumentaciji;



Mod. XXX XXX

Ind.C. XXXX XXXX XXXX

Prod.N. 86999XXXXXXX S.N. XXXX XXXX XXXX

- svoju punu adresu;
- svoj broj telefona.

Ukoliko su potrebne bilo kakve popravke, obratite se ovlašćenom postprodajnom servisu (kako biste bili sigurni da će se koristiti originalni rezervni delovi i da će popravke biti izvedene na pravi način).

Завантажте повну інструкцію з експлуатації з сайту <http://docs.whirlpool.eu> або зателефонуйте за номером телефону, вказаним у гарантійному буклеті.

⚠ Ці інструкції дійсні, якщо символ відповідної країни вказаний на приладі. Якщо на приладі немає символу відповідної країни, слід звернутися до технічних інструкцій, де є необхідні вказівки щодо змін, які слід виконати на приладі, щоб він був адаптований до умов використання в цій країні.

⚠ **ОБЕРЕЖНО:** Під час використання газової плити в приміщенні, де вона встановлена, виділяються тепло, волога і продукти згоряння. Слід подбати про добру вентиляцію кухні, головним чином на час використання приладу: залишайте відкритими отвори для природної вентиляції або встановіть пристрій для примусової вентиляції (втяжку з примусовою вентиляцією). Під час тривалого інтенсивного використання приладу може знадобитися додаткова вентиляція, наприклад, може виникнути потреба відкрити вікно, або ж доведеться перемкнути втяжку (за наявності) на вищий рівень потужності.

⚠ Недотримання рекомендацій, зазначених у цьому посібнику, може призвести до займання або вибуху з подальшими матеріальними збитками або травмами.

Перед використанням приладу прочитайте ці інструкції з техніки безпеки. Збережіть їх для подальшого використання.

У цих інструкціях та на самому приладі містяться важливі попередження про небезпеку, які слід завжди виконувати. Виробник не несе жодної відповідальності за недотримання цих інструкцій з техніки безпеки, за неналежне використання приладу або неправильне налаштування елементів управління.

⚠ **ПОПЕРЕДЖЕННЯ:** Якщо варильна поверхня тріснула, не користуйтеся приладом – існує ризик ураження електричним струмом.

⚠ **ПОПЕРЕДЖЕННЯ:** Щоб уникнути пожежі: не зберігайте жодних предметів на поверхнях для приготування.

⚠ **ОБЕРЕЖНО:** за процесом готування слід наглядати. За короткочасним процесом готування слід наглядати постійно.

⚠ **ПОПЕРЕДЖЕННЯ:** Необережне приготування їжі із змістом жиру або олії на варильній панелі може бути небезпечним - це може призвести до виникнення пожежі. НІКОЛИ не намагайтеся загасити вогонь водою. Вимкніть прилад і накрийте чимось вогонь, наприклад кришкою або протипожежною ковдрою.

⚠ Не використовуйте варильну панель як робочу поверхню або як підставку. Не кладіть одяг або інші

легкозаймісті матеріали поблизу приладу, доки повністю не охолонуть всі його компоненти – існує ризик виникнення пожежі.

⚠ Не дозволяйте маленьким дітям (до 3 років) підходити надто близько до приладу. Не дозволяйте маленьким дітям (від 3 до 8 років) підходити надто близько до приладу без постійного нагляду. До користування приладом допускаються діти віком від 8 років, особи з фізичними, сенсорними чи розумовими вадами, а також особи, які мають незначний досвід чи знання щодо використання цього приладу, лише за умови, що такі особи отримали інструкції щодо безпечного використання приладу, розуміють можливий ризик або використовують прилад під наглядом осіб, що відповідають за їхню безпеку. Не дозволяйте дітям гратися з приладом. Діти можуть чистити та обслуговувати прилад лише під наглядом дорослих.

⚠ **ОБЕРЕЖНО:** У разі пошкодження скла конфорки: негайно вимкніть усі конфорки та будь-які електричні нагрівальні елементи і відключіть прилад від джерела живлення; не торкайтеся поверхонь приладу; не користуйтеся приладом.

Скляна кришка може зламатися, якщо нагріється. Перед закриванням кришки вимкніть усі конфорки та електричні панелі. Не закривайте кришку під час роботи конфорки.

⚠ **ПОПЕРЕДЖЕННЯ:** Під час використання прилад і його доступні частини нагріваються. Слід бути обережними, щоб не торкнутися нагрівальних елементів. Дітей до 8 років не можна залишати поруч із приладом без постійного нагляду.

#### **ДОЗВОЛЕНЕ ВИКОРИСТАННЯ**

⚠ **ОБЕРЕЖНО:** Цей прилад не призначений для експлуатації із зовнішнім приладом для перемикання, наприклад, таймером або окремою системою дистанційного керування.

⚠ Цей прилад призначено для використання в побутових і подібних умовах, наприклад таких: в кухонних зонах магазинів, офісів та інших робочих середовищ; у фермерських господарствах; клієнтами в готелях, мотелях, хостелах й інших житлових приміщеннях.

⚠ Забороняється використовувати прилад для інших цілей (наприклад, для опалення приміщень).

⚠ Цей пристрій не призначений для професійного використання. Не користуйтеся приладом на вулиці.

⚠ Використовувати каструлі та сковороди, дно яких має такий самий або трохи більший діаметр, як і конфорки (див. відповідну таблицю). стежити, щоб каструлі на решітці не виступали за межі варильної панелі.

⚠ Неправильне використання решіток може призвести до пошкодження варильної панелі: Не

ставте решітку догори дном і не тягніть її по варильній панелі.

Регулюйте потужність полум'я конфорки так, щоб воно не виходило за межі сковороди або каструлі.

Якщо поверхня варильної панелі виконана зі скла, не використовуйте чавунні, керамічні та виготовлені з натурального каменю каструлі та сковороди.

Не використовуйте: пристрої для рівномірного розсіювання полум'я (наприклад, металева сітка тощо); одночасно дві конфорки для одного посуду (наприклад, довгий посуд для приготування риби).

Якщо через певну місцеву якість подачі газу запалення конфорок викликає труднощі, рекомендовано повторити спробу запалювання, повернувши ручку керування потужністю конфорки до позначки малого полум'я.

У випадку встановлення витяжки над варильною поверхнею див. інструкції виробника витяжки для дотримання правильної відстані.

Захисні гумові ніжки на сітках можуть стати причиною удушення дітей. Після знімання сітки переконайтеся, що всі ніжки правильно встановлені.

## УСТАНОВЛЕННЯ

⚠ Встановлення і обслуговування приладу повинно виконуватись принаймні двома особами для уникнення ризику травмування. Під час розпакування та встановлення приладу використовуйте захисні рукавиці – існує ризик порізів.

⚠ Електричні та газові з'єднання мають відповідати місцевим нормам.

⚠ Установлення, підключення водопостачання (за наявності) і електричних з'єднань, як і ремонтні роботи, повинні виконуватись кваліфікованим персоналом. Не ремонтуйте та не замінюйте жодну частину приладу, якщо в інструкції з експлуатації прямо не вказано, що це необхідно зробити. Недозволяйте дітям наближатись до місця установлення. Розпакувавши прилад, перевірте, чи немає на ньому пошкоджень після транспортування. Якщо це так, зверніться до дилера або найближчого центру післяпродажного обслуговування. Після встановлення залишки упаковки (пластик, пінополістиролові елементи тощо) повинні зберігатись в недоступному для дітей місці – існує небезпека удушення. Перед проведенням будь-яких робіт з установлення приладу слід відключити від електромережі для уникнення ризику ураження електричним струмом. Під час установлення приладу переконайтеся, що він не перетискає та не пошкоджує кабель живлення – існує ризик виникнення пожежі або ураження електрострумом. Вмикайте прилад лише після завершення процедури його встановлення.

⚠ ПОПЕРЕДЖЕННЯ: Критично важливими для безпеки і правильності використання приладу в усіх додаткових країнах є способи його модифікації і встановлення.

⚠ Використовуйте регулятори тиску, сумісні з показниками тиску газу, вказаними в інструкції.

⚠ Приміщення повинне бути оснащене витяжною системою, що видаляє всі гази і дим, які утворюються під час горіння.

⚠ У приміщенні також слід забезпечити належну циркуляцію повітря, оскільки для забезпечення нормального перебігу горіння потрібне свіже повітря. Приплив повітря не повинен бути меншим від 2 м<sup>3</sup>/год на кожний кіловат встановленої потужності.

⚠ Система циркуляції повітря повинна забирати свіже повітря безпосередньо з атмосфери за межами

приміщення за допомогою труби з площею внутрішнього перерізу не менше 100 см<sup>2</sup>; вхідний отвір повинен бути захищеним від будь-якого блокування.

⚠ Система також може постачати потрібне для процесу горіння повітря непрямым способом, тобто з суміжних приміщень, оснащених трубами для циркуляції повітря, що відповідають наведеним вище вимогам. Однак згадані вище приміщення не повинні бути приміщеннями спільного користування, спальними кімнатами або приміщеннями, що можуть бути пожежно небезпечними.

⚠ Пара рідкого палива спускається до підлоги, оскільки вона важча від повітря. Тому приміщення з балонами, наповненими зрідженим вуглеводневим газом, також слід оснастити вентиляторами, які б видаляли газ у випадку його витоку. Враховуючи згадані вище обставини, частково або повністю заповнені зрідженим вуглеводневим газом балони заборонено встановлювати або зберігати в приміщеннях або на складських майданчиках, що знаходяться нижче рівня землі (наприклад, у підвалах і подібних приміщеннях). Рекомендується зберігати лише балон, який використовується в приміщенні, і розташовувати його так, щоб на нього не могло діяти тепло від зовнішніх джерел (духових шаф, камінів, кухонних плит і т. п.), які можуть нагріти балон до температури вище 50 °С.

⚠ Усі столярні роботи виконуйте до вбудовування приладу в меблевий корпус і приберіть усю дерев'яну стружку та тирсу.

⚠ Якщо прилад не встановлений над піччю, необхідно встановити піддон для збирання рідини (не входить в комплект) у відділенні під приладом.

У разі виникнення труднощів з повертанням ручок керування потужністю пальників зверніться до центру післяпродажного обслуговування, щоб замінити кран пальника, якщо він виявиться несправним.

Заборонено перекривати отвори, що використовуються для вентиляції і розсіювання тепла.

## ПІДКЛЮЧЕННЯ ГАЗУ

⚠ ПОПЕРЕДЖЕННЯ: Перед встановленням слід переконатися, що місцеві умови постачання (тип газу і його тиск) і конфігурація газового приладу сумісні.

⚠ Перевірте, чи відповідає тиск газу значенням, вказаним у таблиці "Технічні умови пальників і сопел".

⚠ ПОПЕРЕДЖЕННЯ: Умови налаштування цього приладу вказані на спеціальній позначці (або на заводській табличці даних).

⚠ ПОПЕРЕДЖЕННЯ: Цей прилад не під'єднаний до пристрою видалення продуктів згорання. Його слід встановити і підключити відповідно до чинних норм встановлення. Особливу увагу потрібно приділити відповідним вимогам щодо вентиляції.

⚠ Якщо прилад приєднують до джерела зрідженого газу, слід максимально щільно затягнути регулювальний гвинт.

⚠ ВАЖЛИВО: Переконайтеся, що газовий балон або ємність із газом розміщується належним чином (у вертикальному положенні), а вже потім підключайте до них газовий прилад.



**⚠ ПОПЕРЕДЖЕННЯ:** Лише кваліфікованому майстру дозволяється проводити цю процедуру.

**⚠** Використовуйте тільки гнучкий або жорсткий металевий шланг для підключення до газової системи.

**⚠** Підключення за допомогою жорсткої труби (мідної або сталеві). Підключення до системи газопостачання слід виконувати таким чином, щоб на газовий прилад не діяло жодне зусилля натягу чи деформації. Газовий прилад оснащений у точці підключення газу Г-подібною з'єднувальною деталлю з ущільнювальним матеріалом, щоб уникнути витоку газу. Після обертання з'єднувальної деталі ущільнювальний матеріал завжди слід міняти (ущільнювальний матеріал постачається в комплекті газового приладу). З'єднувальна трубна деталь являє собою циліндричний охоплюваний з'єднувач із зовнішньою різью 1/2 дюйма для під'єднання газу.

**⚠** Підключення безшовної гнучкої труби з нержавіючої сталі до з'єднувача з різью. З'єднувальна трубна деталь являє собою циліндричний охоплюваний з'єднувач із різью 1/2 дюйма для під'єднання газу. Такі труби слід встановлювати таким чином, щоб у повністю розправленому стані їх довжина не перевищувала 2000 мм. Коли з'єднання виконане, гнучка металева труба не повинна торкатися рухомих деталей і не повинна знаходитися в стисненому стані. Слід використовувати лише труби і ущільнювальні матеріали, що відповідають вимогам актуальних національних нормативів.

**⚠ ВАЖЛИВО:** У разі використання шланга з нержавіючої сталі його слід встановити так, щоб він не торкався жодних рухомих частин меблів (наприклад, висувного ящика). Його слід прокласти в місці, де немає жодних перешкод і де його можна оглянути по всій довжині.

**⚠** Цей прилад слід під'єднувати до мережі газопостачання або до газового балона згідно з вимогами чинних національних нормативів. Перш ніж під'єднувати, переконайтеся, що даний прилад сумісний з системою газопостачання, якою плануєте користуватися. Якщо виявиться, що прилад несумісний з наявною системою, див. розділ "Налаштування відповідно до іншого типу газу".

**⚠** Підключивши прилад до газової мережі, за допомогою мильної води перевірте, чи немає витоку газу. Запаліть пальники та поверніть відповідні ручки керування потужністю пальників у максимальне (1\*), а потім мінімальне (2\*) положення, щоб перевірити рівномірність полум'я.

### **НАЛАШТУВАННЯ ВІДПОВІДНО ДО ІНШОГО ТИПУ ГАЗУ**

(Ці роботи має здійснювати кваліфікований персонал).

**⚠** Для того, щоб пристосувати прилад до роботи з іншим типом газу, а не тим, на який він був налаштований на заводі-виробнику (зазначений на етикетці з технічними даними), виконайте наступні кроки, наведені після креслень щодо монтажу.

### **ПОПЕРЕДЖЕННЯ ПРО НЕБЕЗПЕКУ УРАЖЕННЯ ЕЛЕКТРИЧНИМ СТРУМОМ**

**⚠ ВАЖЛИВО:** Інформація про споживання струму та напруги наведена на інформаційній табличці.

**⚠** Слід забезпечити можливість від'єднання приладу від електромережі шляхом витягування вилки (за наявності) з розетки або за допомогою багатополюсного перемикача, встановленого перед розеткою згідно з нормами прокладання електропроводки, крім того, прилад має бути заземлений відповідно до національних стандартів електробезпеки.

**⚠** Довжина кабелю живлення має бути достатньою для підключення приладу до електромережі після його встановлення в меблевий корпус. Не тягніть за кабель живлення приладу.

**⚠** Не використовуйте подовжувачі, розгалужувачі або адаптери. Після підключення електричні компоненти мають бути недосяжними для користувача. Не використовуйте прилад, якщо ви мокрі або босоніж. Забороняється користуватися цим приладом у разі пошкодження кабелю живлення або вилки й у разі неналежної роботи приладу або пошкодження чи падіння.

**⚠** Якщо кабель електроживлення пошкоджений, слід звернутись до виробника, сервісного агента або особи з подібною кваліфікацією для заміни на ідентичний кабель, щоб уникнути небезпеки - існує ризик ураження електричним струмом.


### **ЧИЩЕННЯ ТА ОБСЛУГОВУВАННЯ**

**⚠ ПОПЕРЕДЖЕННЯ:** перед здійсненням технічного обслуговування приладу переконайтеся в тому, що прилад вимкнений і відключений від джерела живлення ніколи не застосовуйте пристрої чищення парою – існує ризик ураження електричним струмом.

**⚠** Не використовуйте абразивні чи їдкі матеріали, очисники на основі хлору або металеві щітки.

**⚠** Щоб не пошкодити пристрій електричного запалювання, не використовуйте його, коли конфорки знаходяться не на своїх місцях.


### **УТИЛІЗАЦІЯ ПАКУВАЛЬНИХ МАТЕРІАЛІВ**

Пакувальний матеріал на 100% є вторинною сировиною, придатною для повторного використання, і позначений відповідним символом . Тому різні частини упаковки слід утилізувати відповідально та згідно з місцевими правилами щодо утилізації відходів.

### **УТИЛІЗАЦІЯ ПОБУТОВИХ ПРИЛАДІВ**

Цей прилад виготовлено з матеріалів, які підлягають вторинній переробці або придатні для повторного використання. Утилізуйте Перед проведенням будь-якого чищення або технічного обслуговування слід переконатися, що прилад охолонув. Його відповідно до місцевих правил утилізації відходів. Для отримання додаткової інформації про поводження з побутовими електричними приладами, їх утилізацію та вторинну переробку зверніться до місцевих органів, служби утилізації побутових відходів або в магазин, де ви придбали прилад. Цей прилад марковано відповідно до Європейської директиви 2012/19/ЄС, Директиви щодо відпрацьованого електричного й електронного обладнання (WEEE) та до Регламенту 2013 року про відходи електричного та електронного обладнання (зі змінами).

Забезпечивши правильну утилізацію цього приладу, ви допоможете запобігти негативним наслідкам для довкілля та здоров'я людей.

Символ  на виробі або в супровідній документації вказує на те, що прилад не можна утилізувати як побутові відходи, і що його потрібно здавати на утилізацію до відповідних центрів збору відходів для вторинної переробки електричного та електронного обладнання.



## ПОРАДИ ЩОДО ЕНЕРГОЗБЕРЕЖЕННЯ

Використовувати каструлі та сковороди, площа дна яких дорівнює площі конфорки.

Використовувати тільки каструлі та сковороди з плоским дном.

За нагоди накривати каструлі кришками під час приготування.

Використовувати скороварку, щоб заощадити електроенергію та час.

## ДЕКЛАРАЦІЯ ПРО ВІДПОВІДНІСТЬ

Цей прилад відповідає вимогам щодо екодизайну Регламенту ЄС 66/2014, вимогам щодо екодизайну для виробів, що споживають енергію, та Положенням про енергетичну інформацію (Поправка) (Вихід з ЄС) 2019 року, відповідно до європейського стандарту EN 30-2-1.

ТЕХНІЧНІ УМОВИ ПАЛЬНИКІВ І СОПЕЛ **UA**

КАТЕГОРІЯ **II2H3+**

| Тип газу, що використовується         | Тип конфорки     | Маркування форсунок | Номинальна потужність теплового потоку<br>кВт | Номинальне споживання | Номинальний обсяг споживання<br>кВт | Тиск газу<br>мбар |       |       |
|---------------------------------------|------------------|---------------------|---|-----------------------|-------------------------------------|-------------------|-------|-------|
|                                       |                  |                     |   |                       |                                     | мін               | ном.  | макс. |
| ПРИРОДНИЙ ГАЗ<br>(Метан) <b>G20</b>   | Напівшвидка (SR) | 97 A                | 1,65  | 157 л/год             | 0,40                                | 17                | 20    | 25    |
|                                       | Допоміжна (AUX)  | 78 A                | 1,00  | 95 л/год              | 0,40                                |                   |       |       |
|                                       | 2-кільцева (DC)  | 140 H1              | 3,50  | 333 л/год             | 2,20                                |                   |       |       |
| СКРАПЛЕНИЙ ГАЗ<br>(Бутан) <b>G30</b>  | Напівшвидка (SR) | 66 A                | 1,65  | 120 г/год             | 0,40                                | 20                | 28-30 | 35    |
|                                       | Допоміжна (AUX)  | 50                  | 1,00  | 73 г/год              | 0,40                                |                   |       |       |
|                                       | 2-кільцева (DC)  | 91                  | 3,30  | 240 г/год             | 2,20                                |                   |       |       |
| СКРАПЛЕНИЙ ГАЗ<br>(Пропан) <b>G31</b> | Напівшвидка (SR) | 66 A                | 1,65  | 118 г/год             | 0,40                                | 25                | 37    | 45    |
|                                       | Допоміжна (AUX)  | 50                  | 1,00  | 71 г/год              | 0,40                                |                   |       |       |
|                                       | 2-кільцева (DC)  | 91                  | 3,30  | 236 г/год             | 2,20                                |                   |       |       |

| Тип газу, що використовується | Конфігурація моделі<br>4 КОНФОРКИ | Номинальна потужність<br>теплового потоку (кВт) | Загальний номинальний<br>обсяг споживання | Об'єм повітря (м <sup>3</sup> ),<br>необхідний для<br>спалювання 1 м <sup>3</sup> газу |
|-------------------------------|-----------------------------------|---|---|--|
| <b>G20</b> 20 мбар            | 2SR - 1AUX - 1DC                  | 7,80  | 743 л/год                                 | 9,52   |
| <b>G30</b> 28-30 мбар         | 2SR - 1AUX - 1DC                  | 7,60  | 553 г/год                                 | 30,94  |
| <b>G31</b> 37 мбар            | 2SR - 1AUX - 1DC                  | 7,60  | 543 г/год                                 | 23,80  |

ДЖЕРЕЛО ЕЛЕКТРОЕНЕРГІЇ: 220-240В~50-60Гц-1,1 Вт

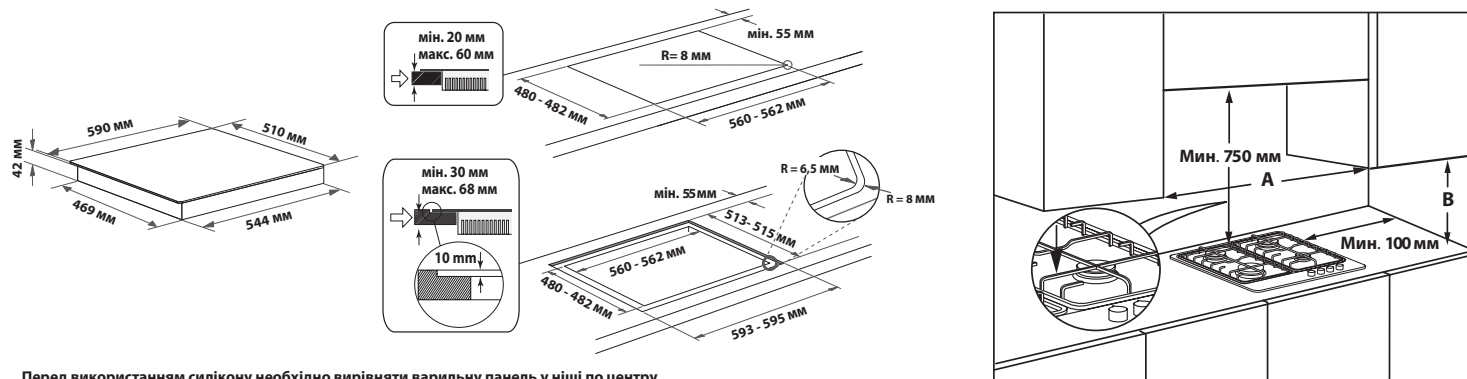


## УСТАНОВЛЕННЯ (КЛАС 3)

### ТЕХНІЧНА ІНФОРМАЦІЯ ДЛЯ МОНТАЖУ

- Під час обслуговування приладу, його підготовки до роботи та встановлення використовуйте захисні рукавиці.
- Для вбудування цього продукту підійдуть робочі поверхні завтовшки 20–60 мм, зі стандартною установкою. Для установки урівень  $30 \pm 68$ .
- Якщо під варильною панеллю немає духової шафи, вставте піддон щонайменше такого ж розміру, як і отвір на робочій поверхні. Цей піддон слід розмістити максимум на 150 мм нижче верхньої частини робочої поверхні, але в жодному разі не ближче 20 мм від дна варильної панелі. Якщо ви плануєте встановлювати під варильною панеллю духову шафу, вона має бути оснащена системою охолодження.

### РОЗМІРИ ТА ВІДСТАНІ, ЯКИХ СЛІД ДОТРИМУВАТИСЯ



Перед використанням силікону необхідно вирівняти варильну панель у ніші по центру

**ПРИМІТКА.** Якщо відстань "А" між настінними шафами має значення в діапазоні від 600 до 730 мм, висота "В" повинна мати значення принаймні 530 мм.

Якщо відстань "А" між настінними шафами більша за ширину варильної поверхні, висота "В" повинна мати значення принаймні 400 мм. У разі встановлення витяжки над варильною панеллю див. інструкції виробника витяжки, щоб визначити правильну відстань.

### МОНТАЖ

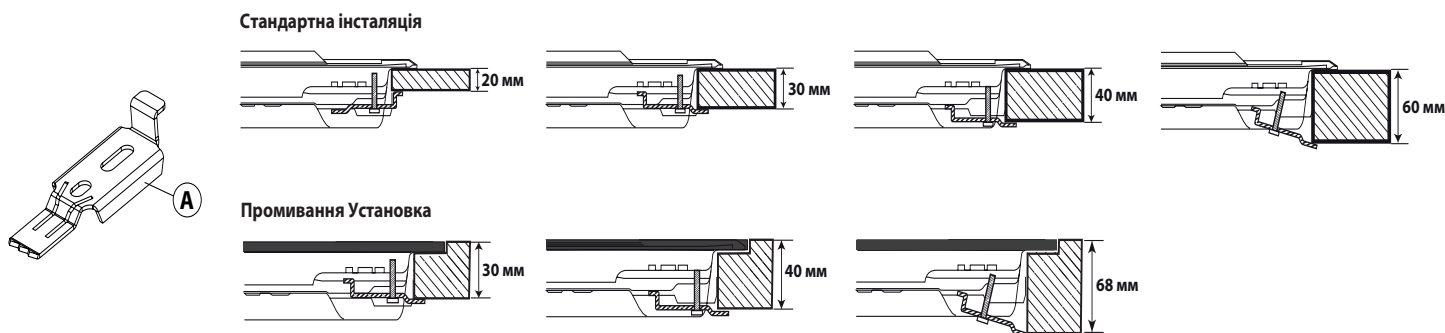
Очистивши поверхню по периметру, застосуйте до варильної панелі прокладку з комплекту постачання (див. рисунок).

Розмістіть варильну панель в отворі робочої поверхні, зробленого відповідно до вказаних у цих інструкціях розмірів.



**ПРИМІТКА.** Кабель живлення має бути достатньо довгим, щоб його можна було витягнути нагору.

Закріпіть варильну панель за допомогою скоб (А), що входять до комплекту. Припасуйте скоби відповідно до отворів, як показано стрілками на малюнку, а тоді затягніть їх за допомогою шурупів відповідно до товщини робочої поверхні (див. малюнки нижче).

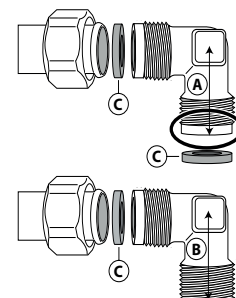


### ПІДКЛЮЧЕННЯ ГАЗУ

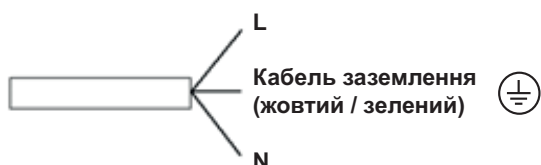
- З'єднайте колінчастий патрубок (А)\* або (В)\*, що входить до комплекту варильної панелі, з головною впускною трубою, поставивши між ними прокладку (С), що входить до комплекту та відповідає стандарту EN 549.

\* Використовуйте патрубок А у Франції, а патрубок В для всіх інших країн.

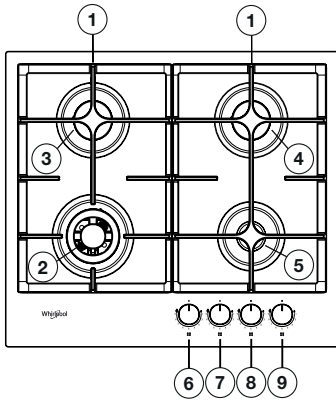
- Підключивши варильну панель до газової мережі, за допомогою мильної води перевірте, чи немає витоків газу. Запаліть конфорки та поверніть відповідні ручки керування потужністю конфорок у максимальне , а тоді в мінімальне положення, щоб перевірити рівномірність полум'я.



### ЕЛЕКТРИЧНЕ ПІДКЛЮЧЕННЯ





## ОПИС ВИРОБУ



1. Знімні решітки для кастрюль
2. 2-кільцева конфорка
3. Напівшвидка конфорка
4. Напівшвидка конфорка
5. Допоміжна конфорка
6. Ручка керування потужністю 2- кільцевої конфорки
7. Ручка керування потужністю напівшвидкої конфорки
8. Ручка керування потужністю напівшвидкої конфорки
9. Ручка керування потужністю допоміжної конфорки


### Символи

- Зафарбований круг ● Перекритий кран
- Велике полум'я  Максимальний отвір/подача й електричне запалювання
- Мале полум'я  Мінімальний отвір і знижена подача



## ЩОДЕННЕ ВИКОРИСТАННЯ

### ВИКОРИСТАННЯ ВАРИЛЬНОЇ ПАНЕЛІ

 Регулюйте потужність полум'я конфорки так, щоб воно не виходило за межі сковороди або кастрюлі.

**ВАЖЛИВО!** під час використання варильної панелі може нагріватися вся її поверхня.

- Щоб запалити одну з конфорок, поверніть відповідну ручку проти годинникової стрілки до позначки максимального полум'я.
- Притисніть ручку до панелі керування, щоб запалити конфорку.
- Утримуйте ручку натиснутою впродовж 5–10 секунд після запалювання конфорки, щоб прилад запрацював належним чином.
- Захисний механізм цієї конфорки вимикає подачу газу на конфорку, якщо полум'я раптом зникає (через несподіваний протяг, перебої в подачі газу, википання рідини тощо).
- Не рекомендовано утримувати ручку натиснутою понад 15 секунд. Якщо і після цього періоду часу конфорка не запалиться, зачекайте хвилину, перш ніж спробувати запалити її ще раз.**

**ПРИМІТКА.** Якщо через певні місцеві умови та якість подачі газу виникають труднощі із запаленням конфорок, рекомендовано повторити спробу запалювання, повернувши ручку керування потужністю конфорки до позначки малого полум'я.

**Полум'я конфорки може згаснути, якщо відпустити ручку.** Це означає, що захисний механізм недостатньо прогрівся. У такому разі повторіть перелічені вище дії.

Якщо полум'я випадково згасло, вимкніть газ ручкою регулювання та зачекайте приблизно 1 хвилину перед тим як запалювати його знову.

### ПРАКТИЧНІ ПОРАДИ З ВИКОРИСТАННЯ КОНФОРОК

Ця варильна панель має конфорки різного діаметру. Щоб ефективніше використовувати конфорки, радимо:

- використовувати кастрюлі та сковороди, дно яких має такий самий або трохи більший діаметр, як і конфорки (див. таблицю праворуч);
- використовувати тільки кастрюлі та сковороди з плоским дном;
- використовувати правильну кількість води для приготування страв і накривати кастрюлі кришками;
- стежити, щоб кастрюлі на решітці не виступали за межі варильної панелі;
- (для сковорід із випуклим дном – вок) використовувати допоміжну решітку, яку слід розташувати тільки над багатокільцевою конфоркою;
- уникайте випадкових ударів кастрюлями, ґратками або іншою кухонними начинням;
- Не залишайте порожні сковороди для барбекю на увімкненій конфорці більше 5 хвилин.

**ВАЖЛИВО!** Неправильне використання решіток може призвести до пошкодження варильної панелі. Не ставте решітку догори дном і не тягніть її по варильній панелі.


| КОНФОРКА    | Ø КАСТРУЛІ      |
|-------------|-----------------|
| 2-кільцева  | Від 24 до 26 см |
| Напівшвидка | Від 16 до 22 см |
| Допоміжна   | Від 8 до 14 см  |

Не використовуйте:

- чавунні, керамічні та виготовлені з натурального каміння кастрюлі та сковороди;
- пристрої для рівномірного розсіювання полум'я (наприклад, металева сітка тощо);
- одночасно дві конфорки для однієї посудини (наприклад, довга посудина для приготування риби).

Потрапляння рідини на гарячу варильну панель може спричинити пошкодження скла.

### НАЛАШТУВАННЯ ВАРИЛЬНОЇ ПАНЕЛІ ВІДПОВІДНО ДО ІНШОГО ТИПУ ГАЗУ

 Лише кваліфікований майстер повинен проводити цю процедуру.

Якщо на варильну панель постачатиметься інший тип газу, ніж вказано в таблиці технічних даних і на інформаційній етикетці на самій поверхні панелі, змініть форсунки. Зніміть інформаційну етикетку та зберігайте її в посібнику з інструкціями.

**Використовуйте регулятори тиску, сумісні з показниками тиску газу, вказаними в цих інструкціях:**

- Лише працівники центру післяпродажного обслуговування або кваліфіковані фахівці повинні замінювати газові форсунки.
- Форсунки, які не входять до комплекту постачання, слід замовляти в центрі післяпродажного обслуговування.
- Установіть для кранів подачі газу мінімальне значення.

**ПРИМІТКА.** У разі використання зрідженого нафтового газу (G30/G31) гвинт регулювання мінімального значення потрібно максимально закрити.

**ВАЖЛИВО!** У разі виникнення труднощів з поверненням ручок керування потужністю конфорок, зверніться до центру післяпродажного обслуговування, щоб замінити несправний кран конфорки.

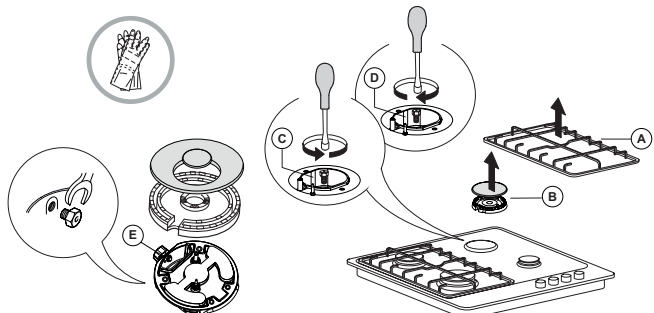
**ВАЖЛИВО!** Переконайтеся, що газовий балон або ємність із газом розміщуються належним чином (у вертикальному положенні), а вже потім підключайте до них варильну панель.

**ВАЖЛИВО!** Переконайтеся, що газовий балон або ємність із газом розміщуються належним чином (у вертикальному положенні), а вже потім підключайте до них варильну панель.

**ЗАМІНА ФОРСУНОК (див. Таблицю форсунок в Інструкціях з техніки безпеки)**

**⚠** Лише кваліфікований майстер повинен проводити цю процедуру.

- Зніміть решітки (A).
- Витягніть конфорки (B).
- За допомогою торцевого ключа відповідного розміру розкрутіть форсунку (C) яку потрібно замінити.
- Замініть її на форсунку, придатну для нового типу газу.
- Вмонтуйте форсунку (D).
- Якщо конфорка має декілька коронок, замініть форсунку за допомогою бічного гайкового ключа (E).



Перш ніж установлювати варильну панель, не забудьте прикріпити табличку калібрування газу, що постачається з форсунками, щоб вона відповідала фактичним даним про калібрування подачі газу.

**НАЛАШТУВАННЯ КРАНІВ НА МІНІМАЛЬНУ ПОДАЧУ ГАЗУ**

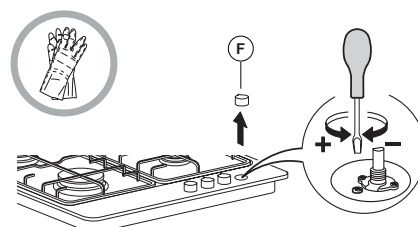
**⚠** Лише кваліфікований майстер повинен проводити цю процедуру.

Налаштовувати подачу газу потрібно тоді, коли кран знаходиться в положенні мінімальної подачі (маленьке полум'я) ⚡. Первинне повітря в конфорках налаштовувати не потрібно.

Щоб пересвідчитися в правильному налаштуванні мінімальної подачі газу, змініть ручку керування потужністю конфорки (F) та виконайте перелічені нижче дії:

- Закрутіть гвинт, щоб зменшити висоту полум'я (-);
- Послабте гвинт, щоб збільшити висоту полум'я (+).

На цьому етапі запаліть конфорку та поверніть ручку керування потужністю конфорки на максимальне ⚡, а тоді на мінімальне ⚡ значення, щоб перевірити рівномірність полум'я.



Завершивши налаштування, запечатайте необхідні ділянки за допомогою сургучу або аналогічного матеріалу.

**БАГАТОРІВНЕВЕ ПОЛУМ'Я**

| РІВЕНЬ | МЕТОД/СПОСІБ ГОТУВАННЯ (РЕКОМЕНДУЄТЬСЯ ДЛЯ) | ПОРАДИ ЩОДО ПРИГОТУВАННЯ   |
|--------|---|--|
| 1-2    | ПІДТРИМАННЯ ТЕПЛА                           | Підходить для пом'якшення масла, повільного топлення шоколаду на водяній бані, розморожування дрібних порцій, заправки ризотто соусом.   |
|        | БЕРЕЖНЕ ПРИГОТУВАННЯ                        |  |
| 3-4    | ПОВІЛЬНЕ КИПІННЯ                            | Підходить для приготування на повільному вогні (рис, соуси, печеня, риба) з використанням рідин (наприклад, з водою, вином, бульйоном), заправки макаронів соусом та підтримання повільного кипіння.             |
|        | ТУШКУВАННЯ                                  |  |
| 5-6    | СМАЖЕННЯ                                    | Підходить для пасерування, тушкування овочів, приготування протягом тривалого часу, розігрівання посуду, розварювання.   |
|        | ТРИВАЄ ЗАЖАРЮВАННЯ                          |  |
| 7-8    | СТІР-ФРАЙ                                   | Підходить для підрум'янювання, початкової стадії приготування, швидкого доведення рідин до кипіння, смаження продуктів глибокої заморозки, приготування на грилі м'яса і риби, підтримання інтенсивного кипіння. |
|        | ГРИЛЬ                                       |  |
| 9      | ШВИДКЕ НАГРІВАННЯ                           | Підходить для швидкого підігрівання страв або швидкого нагрівання рідин (води).  |

**ОБСЛУГОВУВАННЯ І ОЧИЩЕННЯ**

**⚠** Від'єднайте прилад від джерела живлення.

**ОЧИЩЕННЯ ПОВЕРХНІ ВАРИЛЬНОЇ ПАНЕЛІ**

- Усі емальовані та скляні частини слід очищувати теплою водою та нейтральним розчином.
- Під час тривалого контакту з вапнистою водою або абразивними миючими засобами на поверхнях із нержавіючої сталі можуть виникнути плями. Пролиту рідину (вода, соус, кава тощо) слід витирати одразу, ще до того, як вона засохне.
- Очищувати панель потрібно теплою водою та нейтральним миючим засобом, а тоді витирати насухо за допомогою м'якої тканини чи замші. Бруд від припалених решток їжі видаляйте за допомогою спеціальних очисників для поверхонь із нержавіючої сталі.

**ПРИМІТКА.** Нержавіючу сталь слід чистити тільки за допомогою м'якої тканини або губки.

- Не використовуйте абразивні чи їдкі матеріали, очисники на основі хлору або металеві щітки.
- Ніколи не застосовуйте пристрої, у яких для очищення використовується пара.
- Не використовуйте займісті продукти.
- Не залишайте кислотні або лужні речовини, наприклад оцет, гірчицю, сіль, цукор чи лимонний сік на варильній панелі.

**ОЧИЩЕННЯ ЧАСТИН ВАРИЛЬНОЇ ПАНЕЛІ**

- Чистьте скляні й емальовані частини лише за допомогою м'якої тканини чи губки.
- Решітки, кришки конфорок і конфорки можна також зняти, щоб почистити їх.
- Очистіть їх вручну за допомогою теплої води з неабразивним миючим засобом, видаляючи будь-які рештки їжі. Перевірте, чи жоден з отворів конфорки не забився.



- Промийте та висушіть їх.
- **Чавунну решітку можна мити в посудомийній машині. Перед тим, як помістити решітки в низ посудомийної машини, видаліть решітки їжі, що пригоріла.**
- Вставте конфорки у відповідні гнізда та належним чином накрийте конфорки кришками.
- Ставлячи на місце решітку, переконайтеся, що місце для каstrулі збігається з конфоркою.

- Для забезпечення справної роботи на моделях, що містять поршень електричного запалювання та захисний механізм, слід ретельно очищати край поршня. Часто перевіряйте ці елементи, а в разі необхідності чистьте їх вологою тканиною. Будь-які припалені решітки їжі слід видалити за допомогою зубочистки або голки.

**ПРИМІТКА. Щоб не пошкодити пристрій електричного запалювання, не використовуйте його, коли конфорки знаходяться не на своїх місцях.**

## ПОСІБНИК З УСУНЕННЯ НЕСПРАВНОСТЕЙ

Якщо варильна панель працює неналежним чином, перш ніж звертатися до центру післяпродажного обслуговування, перегляньте "Посібник з усунення несправностей", щоб визначити проблему.

### 1. Конфорка не запалюється або полум'я нерівномірне

Перевірте, чи:

- не перекрита подача газу та джерело живлення, а особливо, чи відкритий кран подачі газу;
- газовий балон (зріджений газ) не порожній;
- не забиті отвори конфорки;
- не забруднена вилка розетки;
- усі частини конфорки розташовані правильно;
- біля варильної панелі немає протягів.

### 2. Конфорка гасне

Перевірте, чи:

- під час запалювання конфорки ви протягом тривалого часу утримували натиснутою ручку керування потужністю конфорки, щоб активувати захисний механізм;

- не забиті отвори конфорки біля термопари;
- не забруднено край захисного механізму;
- правильно налаштовано мінімальну подачу газу (див. відповідний розділ).

### 3. Резервуари конфорки нестабільні

Перевірте, чи:

- дно резервуара ідеально рівне;
- резервуар розміщено на конфорці рівно по центру;
- не переплутано місця решіток і їх правильно встановлено.

Якщо після вищевказаних перевірок несправність не зникає, зверніться до найближчого центру післяпродажного обслуговування.

## ПІСЛЯПРОДАЖНЕ ОБСЛУГОВУВАННЯ

Для отримання більш повної допомоги зареєструйте свій прилад на сайті [www.whirlpool.eu/register](http://www.whirlpool.eu/register).

**ПЕРШ НІЖ ЗВЕРТАТИСЯ ДО ЦЕНТРУ ПІСЛЯПРОДАЖНОГО ОБСЛУГОВУВАННЯ, ВИКОНАЙТЕ НАВЕДЕНІ НИЖЧЕ ДІЇ:**

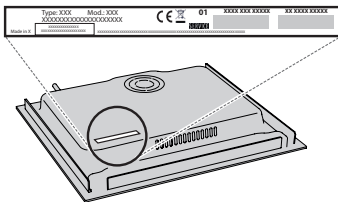
1. Перевірте, чи можна вирішити проблему самостійно за допомогою порад, наведених у розділі **ПОСІБНИК З УСУНЕННЯ НЕСПРАВНОСТЕЙ**.
2. Вимкніть прилад і знову увімкніть його, щоб перевірити, чи несправність залишається.

**ЯКЩО ПІСЛЯ ВИЩЕВКАЗАНОЇ ПЕРЕВІРКИ НЕСПРАВНІСТЬ НЕ ЗНИКНЕ, ЗВЕРНІТЬСЯ ДО НАЙБЛИЖЧОГО ЦЕНТРУ ПІСЛЯПРОДАЖНОГО ОБСЛУГОВУВАННЯ.**

Щоб отримати допомогу, зверніться за номером, що вказаний у гарантійному талоні, або дотримуйтесь інструкцій на сайті [www.whirlpool.eu](http://www.whirlpool.eu).

Під час зв'язку з нашим Сервісом післяпродажного обслуговування завжди уточнюйте:

- короткий опис несправності;
- тип і точну модель приладу;



- серійний номер (номер після слова SN на паспортній табличці, розташованій під приладом). Серійний номер вказаний також у документації;



Mod. XXX XXX

Ind.C. XXXX XXXX XXXX

Prod.N. 86999XXXXXXX S.N. XXXX XXXX XXXX

- повна адреса вашого місця проживання;
- ваш номер телефону.

Якщо потрібен ремонт, зверніться в авторизований центр післяпродажного обслуговування (щоб гарантувати, що будуть використані оригінальні запчастини та ремонт буде виконано правильно).

**Whirlpool Management EMEA S.r.l.**

via Carlo Pisacane n.1,  
20016 Pero (MI), ITALY



400011662520

**Whirlpool**