

**Instructions for use and installation**

Cooker Hood

**Istruzioni per l'uso e l'installazione**

Cappa

**Mode d'emploi et installation**

Hotte de Cuisine

**Bedienungsanleitung und Installation**

Dunstabzugshaube

**Kullanım ve montaj talimatları**

Davlumbaz

**Uživatelská Pøíručka**

Odsavač par

**Instrukcja obsługi i instalacji**

Okap kuchenny



تعليمات التركيب والإستعمال  
مدخنة

**FDF H45 9354 I XS LED0**  
**FDF H45 9354 I XS-CH LED0**

## INDEX

EN

SAFETY INFORMATION .....	4
CHARACTERISTICS .....	7
INSTALLATION .....	9
USE .....	13
MAINTENANCE .....	14

## INDICE

IT

INFORMAZIONI SULLA SICUREZZA .....	15
CARATTERISTICHE .....	18
INSTALLAZIONE .....	20
USO .....	24
MANUTENZIONE .....	25

## SOMMAIRE

FR

CONSIGNES DE SÉCURITÉ .....	26
CARACTERISTIQUES .....	29
INSTALLATION .....	31
UTILISATION .....	35
ENTRETIEN .....	36

## INHALTSVERZEICHNIS

DE

SICHERHEITSINFORMATIONEN .....	37
CHARAKTERISTIKEN .....	40
MONTAGE .....	42
BEDIENUNG .....	46
WARTUNG .....	47

## İÇERİKLER

TR

GÜVENLİK HAKKINDA BİLGİLER .....	48
ÖZELLİKLER .....	51
MONTAJ .....	53
KULLANIM .....	57
BAKIM .....	58

## OBSAH

CZ

INFORMACE O BEZPEČNOSTI .....	59
HLAVNÍ PARAMETRY .....	62
INSTALACE .....	64
POUŽITÍ .....	68
ÚDRŽBA .....	69

## SPIS TREŚCI

PL

INFORMACJE DOTYCZĄCE BEZPIECZEŃSTWA .....	70
WŁAŚCIWOŚCI TECHNICZNE .....	73
INSTALACJA .....	75
UŻYTKOWANIE .....	79
KONSERWACJA .....	80


## الفهرس


SA

معلومات فيما يخص السلامة .....	81
الخصائص .....	84
التركيب .....	86
الاستخدام .....	90
الصيانة عملية .....	91

## SAFETY INFORMATION

---

 For your safety and correct operation of the appliance, read this manual carefully before installation and use. Always keep these instructions with the appliance even if you move or sell it. Users must fully know the operation and safety features of the appliance.

 The wire connection has to be done by specialized technician.

- The manufacturer will not be held liable for any damages resulting from incorrect or improper installation.
- The minimum safety distance between the cooker top and the extractor hood is 650 mm (some models can be installed at a lower height, please refer to the paragraphs on working dimensions and installation).
- If the instructions for installation for the gas hob specify a greater distance, this must be respected.
- Check that the mains voltage corresponds to that indicated on the rating plate fixed to the inside of the hood.
- Means for disconnection must be incorporated in the fixed wiring in accordance with the wiring rules.
- For Class I appliances, check that the domestic power supply guarantees adequate earthing.
- Connect the extractor to the exhaust flue through a pipe of minimum diameter 120 mm. The route of the flue must be as short as possible.
- Regulations concerning the discharge of air have to be fulfilled.
- Do not connect the extractor hood to exhaust ducts carrying combustion fumes (boilers, fireplaces, etc.).

- If the extractor is used in conjunction with non-electrical appliances (e.g. gas burning appliances), a sufficient degree of aeration must be guaranteed in the room in order to prevent the backflow of exhaust gas. When the cooker hood is used in conjunction with appliances supplied with energy other than electric, the negative pressure in the room must not exceed 0,04 mbar to prevent fumes being drawn back into the room by the cooker hood.
- The air must not be discharged into a flue that is used for exhausting fumes from appliances burning gas or other fuels.
- If the supply cord is damaged, it must be replaced from the manufacturer or its service agent.
- Connect the plug to a socket complying with current regulations, located in an accessible place.
- With regards to the technical and safety measures to be adopted for fume discharging it is important to closely follow the regulations provided by the local authorities.


**⚠ WARNING:** Before installing the Hood, remove the protective films.

- Use only screws and small parts in support of the hood.


**⚠ WARNING:** Failure to install the screws or fixing device in accordance with these instructions may result in electrical hazards.

- Do not look directly at the light through optical devices (binoculars, magnifying glasses...).
- Do not flambè under the range hood; risk of fire.
- This appliance can be used by children aged from 8 years and above and persons with reduced physical, sensory or mental capabilities or lack of experience and knowledge if they have been given supervision or instruction concerning use of the appliance in a safe way and understand the hazards involved. Children shall not play with the appliance. Cleaning and user maintenance shall not be made by children without supervision.
- Children should be supervised to ensure that they do not play with the appliance.

- The appliance is not to be used by persons (including children) with reduced physical, sensory or mental capabilities, or lack of experience and knowledge, unless they have been given supervision or instruction.

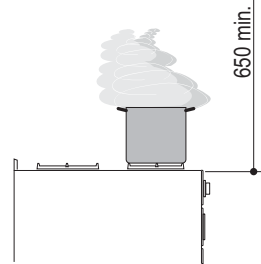
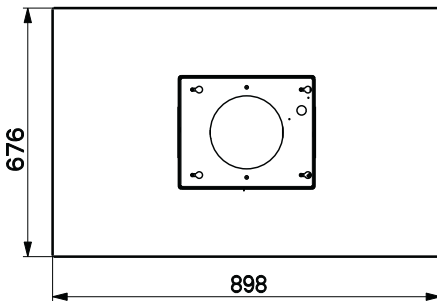
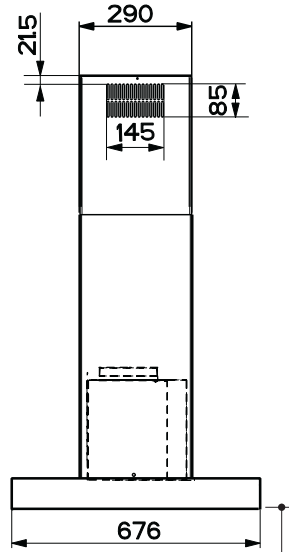
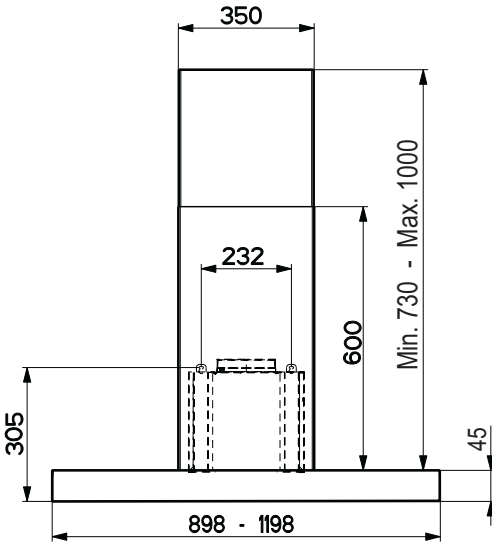
 Accessible parts may become hot when used with cooking appliances.

- Clean and/or replace the Filters after the specified time period (Fire hazard). See paragraph Care and Cleaning.
- There shall be adequate ventilation of the room when the range hood is used at the same time as appliances burning gas or other fuels (not applicable to appliances that only discharge the air back into the room).

- The symbol  on the product or on its packaging indicates that this product may not be treated as household waste. Instead it shall be handed over to the applicable collection point for the recycling of electrical and electronic equipment. By ensuring this product is disposed of correctly, you will help prevent potential negative consequences for the environment and human health, which could otherwise be caused by inappropriate waste handling of this product. For more detailed information about recycling of this product, please contact your local city office, your household waste disposal service or the shop where you purchased the product.

# CHARACTERISTICS

## Dimensions

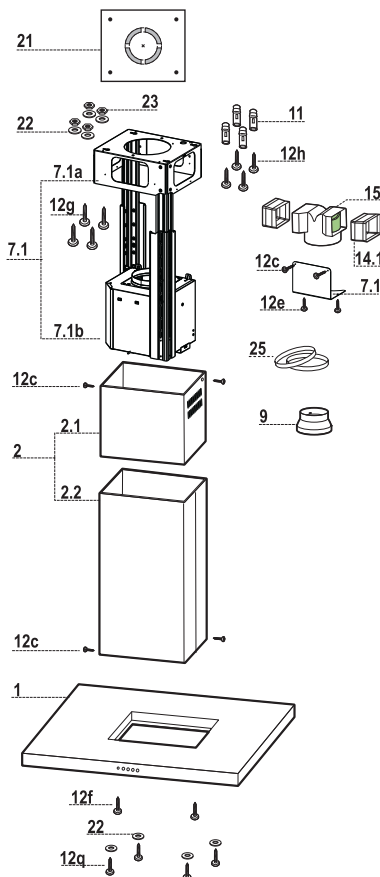


## Components

Ref.	Q.ty	Product Components
1	1	Hood Canopy complete with: Controls, Light, Filters
2	1	Telescopic chimney, made up of:
2.1	1	Upper chimney
2.2	1	Lower chimney
7.1	1	Telescopic frame complete with Suction fan, made up of:
7.1a	1	Upper frame
7.1b	1	Lower frame
9	1	Reduction flange $\varnothing$ 150-120 mm
14.1	2	Air Outlet Connector Extension
15	1	Air Outlet Connector
25		Hose clamps (not supplied)

Ref.	Q.ty	Installation Components
7.3	1	Air Outlet Connector fixing bracket
11	4	Wall plugs $\varnothing$ 10
12c	6	Screws 2.9 x 6.5
12e	2	Screws 2.9 x 9.5
12f	2	Screws M4 x 80
12g	4	Screws M6 x 80
12h	4	Screws 5.2 x 70
12q	4	Screws 3.5 x 9.5
21	1	Drilling template
22	8	Washers $\varnothing$ 6.4
23	4	Nuts M6

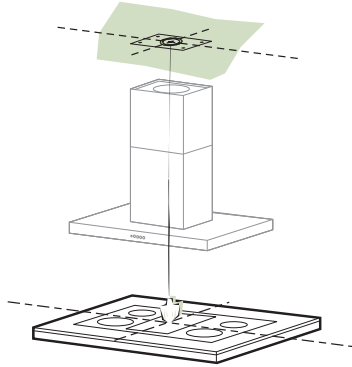
Q.ty	Documentation
1	Instruction Manual





# INSTALLATION

---



---

## Drilling the Ceiling/shelf and fixing the frame

---

### DRILLING THE CEILING/SHELF

- Use a plumb line to mark the centre of the hob on the ceiling/support shelf.
- Place the drilling template **21** provided on the ceiling/support shelf, making sure that the template is in the correct position by lining up the axes of the template with those of the hob.
- Mark the centres of the holes in the template.
- Drill the holes at the points marked:
  - For concrete ceilings, drill for plugs appropriate to the screw size.
  - For hollow brick ceilings with wall thickness of 20 mm: drill  $\varnothing$  10 mm(immediately insert the Dowels **11** supplied).
  - For wooden beam ceilings, drill according to the wood screws used.
  - For wooden shelf, drill  $\varnothing$  7 mm.
  - For the power supply cable feed, drill  $\varnothing$  10 mm.
  - For the air outlet (Ducted Version), drill according to the diameter of the external air exhaust duct connection.
- Insert two screws of the following type, crossing them and leaving 4-5 mm from the ceiling:
  - For concrete ceilings, use the appropriate plugs for the screw size (not provided).
  - for Cavity ceiling with inner space, with wall thickness of approx. 20 mm, Screws **12h**, supplied.
  - For wooden beam ceilings, use 4 wood screws (not provided).
  - For wooden shelf, use 4 screws **12g** with washers **22** and nuts **23**, provided.

## Fixing the frame

- Loosen the two screws fastening the lower chimney and remove this from the lower frame.
- Loosen the two screws fastening the upper chimney and remove this from the upper frame.

If you wish to adjust the height of the frame, proceed as follows:

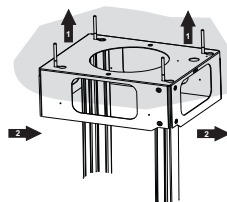
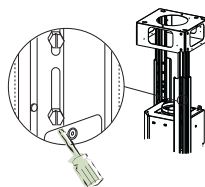
- Unfasten the metric screws joining the two columns, located at the sides of the frame.
- Adjust the frame to the height required, then refit all the screws removed as above.
- Insert the upper chimney stack from above, and leave it running free on the frame.
- Lift up the frame, fit the frame slots onto the screws up to the slot end positions.
- Tighten the two screws and fasten the other two screws provided with the hood.

Before tightening the screws completely it is possible to adjust the frame by turning it. Make sure that the screws do not come out of their seats in the slotted holes.

- The frame mountings must be secure to withstand the weight of the hood and any stresses caused by the occasional side thrust applied to the device.

On completion, check that the base is stable, even if the frame is subjected to bending.

- In all cases where the ceiling is not strong enough at the suspension point, the installer must provide strengthening using suitable plates and backing pieces anchored to the structurally sound parts.

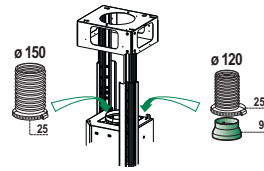


## Connections

### DUCTED VERSION AIR EXHAUST SYSTEM

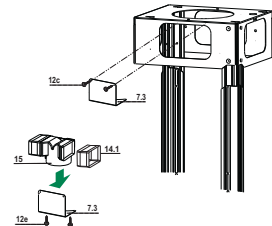
When installing the ducted version, connect the hood to the chimney using either a flexible or rigid pipe  $\varnothing$  150 or 120 mm, the choice of which is left to the installer.

- To install a  $\varnothing$  120 mm air exhaust connection, insert the reducer flange 9 on the hood body outlet.
- Fix the pipe in position using sufficient pipe clamps (not supplied).
- Remove any activated charcoal filters.



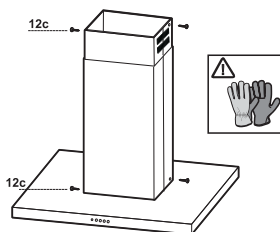
### Air outlet – Recirculation Version

- Insert the Connector extensions **14.1** into the side of the Connector **15**.
- Insert the Connector **15** into the Support bracket **7.3** and fix it with the screws.
- Fasten the Support bracket **7.3**, fixing it to the upper part with the Screws.
- Make sure that the Connector extensions outlet **14.1** is in correspondence with the Chimney openings both horizontally and vertically.
- Join the Connector **15** to the Hood canopy outlet using a rigid or flexible pipe  $\varnothing$  150 mm, selection of which is at the discretion of the installation technician.
- Make sure that the Activated charcoal odour filter has been fitted.



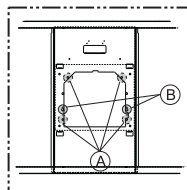
## Flue assembly - Mounting the hood body

- Position the upper chimney section and fix the upper part to the frame using the 2 screws **12c** (2,9 x 6,5) provided.
- Similarly, position the lower chimney section and fix the lower part to the frame using the 2 screws **12c** (2,9 x 6,5) provided.



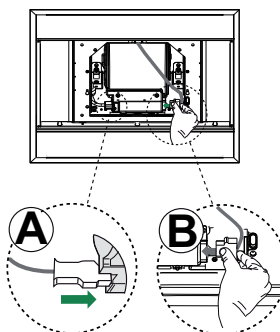
Before fixing the hood canopy to the frame:

- Screw the 2 screws **12f** half way into the holes provided in the sides of the bottom of the frame.
- Remove the grease filters from the hood canopy.
- Remove any activated charcoal filters.
- Lift the hood canopy and engage the screws **12f** in the slots (A) as far as they will go.
- Working from below, fix the hood canopy to the frame (B), using the 4 screws **12q** and 4 washers **22** provided, then tighten all the screws securely.

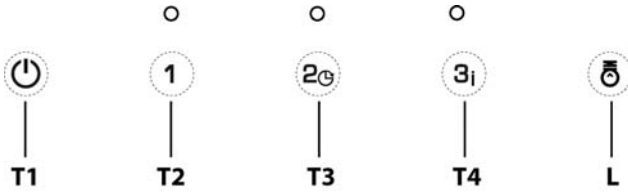


## ELECTRICAL CONNECTION

- Connect the Hood to the Mains Power Supply, inserting a bipolar switch with a contact aperture of at least 3 mm.
- Remove the Grease filters (see paragraph “Maintenance”) and make sure that the Power cable (A) has been properly inserted into the Suction fan socket.
- Fasten the connector B to the free socket at the side of the suction fan



# USE



## Control panel

But ton	Led	Function
<b>T1</b>	-	Turns the Motor off.
<b>T2</b>	Fixed	Turns the Motor on at Speed one.
<b>T3</b>	Fixed	Turns the Motor on at Speed two.
	The Led corresponding to the speed that has been set flashes once every second.	Turns the <b>Delay</b> Function on and off when pressed and held for 2 seconds. Activates automatic switch-off (Motor+Lights) with a 30' delay. Suitable to complete elimination of residual odours. Can be activated from any position when the <b>Intensive</b> function is disabled, and is deactivated by pressing the button or turning the motor off.
<b>T4</b>	Fixed	Turns the Motor on at Speed Three.
	Flashes twice a second.	Turns the <b>Intensive</b> function on and off. This speed is timed to run for 6 minutes. At the end of this time, the system returns automatically to the speed that was set before. It is disabled by pressing the button or turning the motor off. It cannot be activated when the <b>Delay</b> function is active.
<b>L</b>	-	Turns the Lighting System on and off at maximum intensity.

# MAINTENANCE

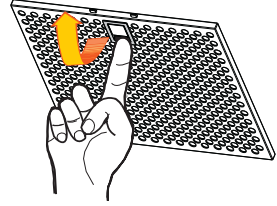
---

## Grease filters

---

### CLEANING METAL SELF- SUPPORTING GREASE FILTERS

- The filters must be cleaned every 2 months of operation, or more frequently for particularly heavy usage, and can be washed in a dishwasher.
- Remove the filters one at a time holding them up with one hand and pulling the handle downwards with the other hand at the same time.
- Wash the filters, taking care not to bend them. Allow them to dry before refitting.
- When refitting the filters, make sure that the handle is visible on the outside.

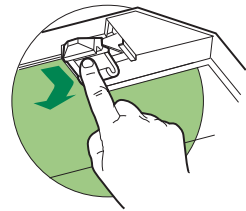


### Activated charcoal filter (Recirculation version)

---

#### REPLACING THE ACTIVATED CHARCOAL FILTER

- The filter is not washable and cannot be regenerated, and must be replaced approximately every 4 months of operation, or more frequently for particularly heavy usage.
- Remove the metal grease filters.
- Remove the saturated activated carbon filter by releasing the fixing hooks.
- Fit the new filter by hooking it into its seating.
- Refit the metal grease filters.



## Lighting unit

---

- For replacement contact technical support ("To purchase contact technical support").

## INFORMAZIONI SULLA SICUREZZA

---

**i** Per la propria sicurezza e per il corretto funzionamento dell'apparecchio, si prega di leggere attentamente questo manuale prima dell'installazione e della messa in funzione. Tenere queste istruzioni sempre insieme all'apparecchio, anche in caso di cessione o trasferimento a terzi. È importante che gli utilizzatori conoscano tutte le caratteristiche di funzionamento e sicurezza dell'apparecchio.

- ⚠** Il collegamento dei cavi deve essere effettuato da un tecnico competente.
- Il fabbricante non potrà ritenersi responsabile per eventuali danni risultanti da un'installazione o utilizzazione impropria.
  - La distanza minima di sicurezza tra il piano cottura e la cappa aspirante è di 650 mm (alcuni modelli possono essere installati a un'altezza inferiore; vedere il paragrafo relativo alle dimensioni di lavoro e all'installazione).
  - Se le istruzioni di installazione del piano cottura a gas specificano una distanza maggiore di quella sopra indicata, è necessario tenerne conto.
  - Controllare che la tensione di rete corrisponda a quella indicata sulla targa dati applicata all'interno della cappa.
  - I dispositivi di sezionamento devono essere installati nell'impianto fisso in conformità alle normative sui sistemi di cablaggio.
  - Per gli apparecchi di Classe I, controllare che la rete di alimentazione domestica disponga di un adeguato collegamento a massa.
  - Collegare la cappa alla canna fumaria con un tubo di diametro minimo di 120 mm. Il percorso dei fumi deve essere il più corto possibile.
  - Devono essere rispettate tutte le normative riguardanti lo scarico dell'aria.
  - Non collegare la cappa aspirante ai condotti fumari che trasportano fumi di combustione (per es. di caldaie, camini ecc.).

- Se la cappa è utilizzata in combinazione con apparecchi non elettrici (per es. apparecchi a gas), deve essere garantito un sufficiente grado di aerazione nel locale per impedire il ritorno di flusso dei gas di scarico. Quando la cappa per cucina è utilizzata in combinazione con apparecchi non alimentati dalla corrente elettrica, la pressione negativa nel locale non deve superare 0,04 mbar per evitare che i fumi vengano riaspirati nel locale dalla cappa.
- L'aria non deve essere evacuata attraverso un condotto utilizzato per lo scarico dei fumi da apparecchi di combustione alimentati a gas o altri combustibili.
- Il cavo di alimentazione, se danneggiato, deve essere sostituito dal fabbricante o da un tecnico del servizio assistenza.
- Collegare la spina ad una presa di tipo conforme alle normative vigenti e in posizione accessibile.
- Relativamente alle misure tecniche e di sicurezza da adottare per lo scarico dei fumi è importante attenersi scrupolosamente ai regolamenti stabiliti dalle autorità locali.

**⚠ AVVERTENZA:** prima di installare la cappa, rimuovere le pellicole di protezione.


- Usare solo viti e minuteria di tipo idoneo per la cappa.

**⚠ AVVERTENZA:** la mancata installazione delle viti o dei dispositivi di fissaggio in conformità alle presenti istruzioni può comportare rischi di scosse elettriche.


- Non osservare direttamente con strumenti ottici (binocolo, lente d'ingrandimento...).
- Non cuocere al flambé sotto la cappa: si potrebbe sviluppare un incendio.
- Questo apparecchio può essere utilizzato da bambini di età non inferiore a 8 anni e da persone con ridotte capacità psico-fisico-sensoriali o con esperienza e conoscenze insufficienti, purché attentamente sorvegliati e istruiti su come utilizzare in modo sicuro l'apparecchio e sui pericoli che ciò comporta. Assicurarsi che i bambini non giochino con l'apparecchio. Pulizia e manutenzione da parte dell'utente non devono essere effettuate da bambini, a meno che non siano sorvegliati.
- Sorvegliare i bambini, assicurandosi che non giochino con l'apparecchio.



- L'apparecchio non deve essere utilizzato da persone (bambini compresi) con ridotte capacità psico-fisico-sensoriali o con esperienza e conoscenze insufficienti, a meno che non siano attentamente sorvegliate e istruite.

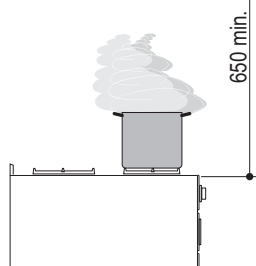
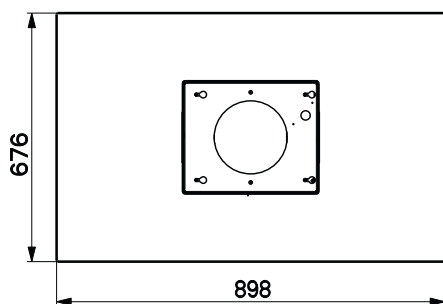
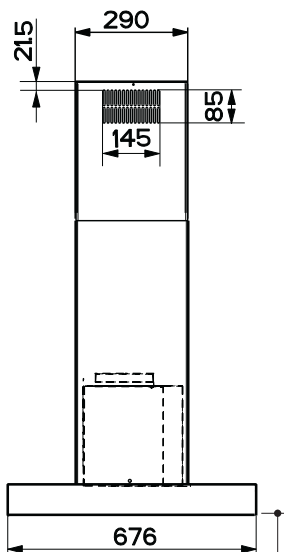
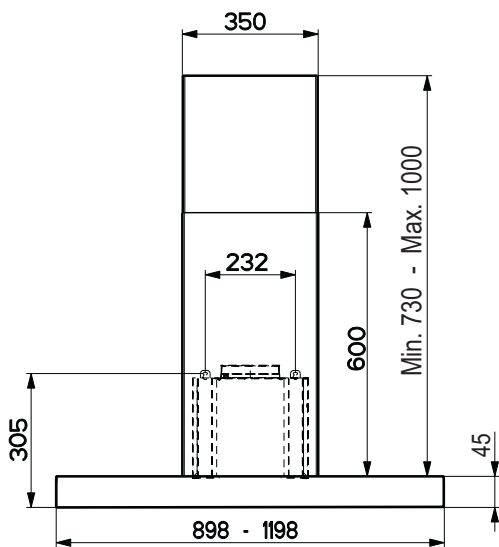
 Le parti accessibili possono diventare molto calde durante l'uso degli apparecchi di cottura.

- Pulire e/o sostituire i filtri dopo il periodo di tempo specificato (pericolo di incendio). Vedere il paragrafo Manutenzione e pulizia.
- Deve essere presente un'adeguata ventilazione nel locale quando la cappa è utilizzata contemporaneamente ad apparecchi che utilizzano gas o altri combustibili (non applicabile ad apparecchi che scaricano unicamente l'aria nel locale).

- Il simbolo  sul prodotto o sulla sua confezione indica che il prodotto non può essere smaltito come un normale rifiuto domestico. Il prodotto da smaltire deve essere conferito presso un apposito centro di raccolta per il riciclaggio dei componenti elettrici ed elettronici. Assicurandosi che questo prodotto sia smaltito correttamente, si contribuirà a prevenire potenziali conseguenze negative per l'ambiente e per la salute che potrebbero altrimenti derivare dal suo smaltimento inadeguato. Per informazioni più dettagliate sul riciclaggio di questo prodotto, contattare il Comune, il servizio locale di smaltimento rifiuti oppure il negozio dove è stato acquistato il prodotto.

# CARATTERISTICHE

## Ingombro

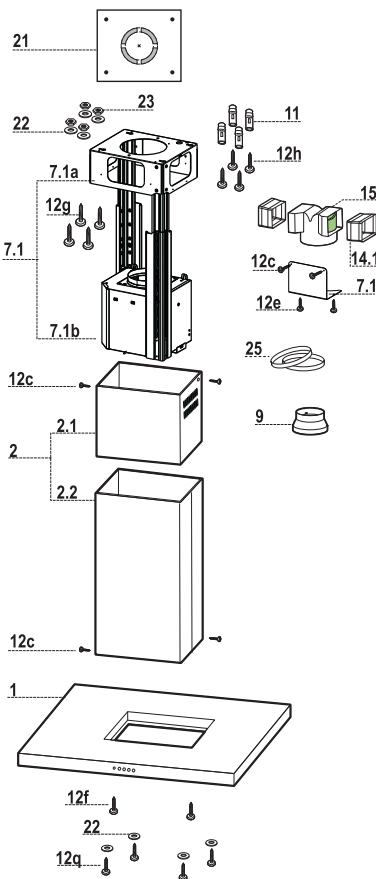


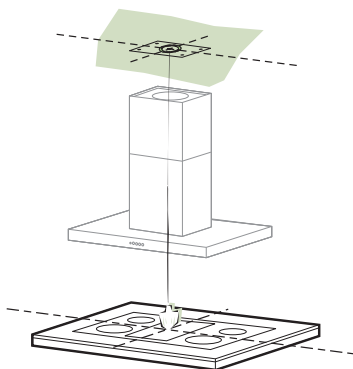
## Componenti

Rif.	Q.tà	Componenti di Prodotto
1	1	Corpo Cappa completo di: Comandi, Luce, Filtri
2	1	Camino telescopico formato da:
2.1	1	Camino superiore
2.2	1	Camino inferiore
7.1	1	Traliccio telescopico completo di Aspiratore, formato da:
7.1a	1	Traliccio superiore
7.1b	1	Traliccio inferiore
9	1	Flangia di riduzione ø 150-120 mm
14.1	2	Prolunga Raccordo Uscita Aria
15	1	Raccordo Uscita Aria
25		Fascette stringitubo (non incluse)

Rif.	Q.tà	Componenti di Installazione
7.3	1	Staffa fissaggio Raccordo Uscita Aria
11	4	Tasselli ø 10
12c	6	Viti 2,9 x 6,5
12e	2	Viti 2,9 x 9,5
12f	2	Viti M4 x 80
12g	4	Viti M6 x 80
12h	4	Viti 5,2 x 70
12q	4	Viti 3,5 x 9,5
21	1	Dima di foratura
22	8	Rondelle ø 6,4
23	4	Dadi M6

Q.tà	Documentazione
1	Libretto Istruzioni





---

## Foratura Soffitto/Mensola e Fissaggio Traliccio

---

### FORATURA SOFFITTO/MENSOLA

- Con l'ausilio di un Filo a piombo riportare sul Soffitto/Mensola di supporto il centro del Piano di Cottura.
- Appoggiare al Soffitto/Mensola la Dima di Foratura **21** in dotazione, facendo coincidere il suo centro al centro proiettato e allineando gli assi della Dima agli assi del Piano di Cottura.
- Segnare i centri dei Fori della Dima.
- Forare i punti seguenti:
  - Soffitto in Calcestruzzo massiccio: secondo Tasselli per Calcestruzzo impiegati.
  - Soffitto in Laterizio a camera d'aria, con spessore resistente di 20 mm:  $\varnothing$  10 mm (inserire subito i Tasselli **11** in dotazione).
  - Soffitto in Travatura di Legno: secondo Viti per Legno impiegate.
  - Mensola in Legno:  $\varnothing$  7 mm.
  - Passaggio del Cavo elettrico di Alimentazione:  $\varnothing$  10 mm.
  - Uscita Aria (Versione Aspirante): secondo diametro del collegamento alla Tubazione di Evacuazione Esterna.
- Avvitare, incrociandole e lasciando 4-5 mm dal soffitto, due viti:
  - per Calcestruzzo massiccio, Tasselli per Calcestruzzo, non in dotazione.
  - per Laterizio a camera d'aria, con spessore resistente di 20 mm circa, Viti **12h**, in dotazione.
  - per Travatura di legno, Viti per legno, non in dotazione.
  - per Mensola in Legno, viti **12g** con Rondelle **22** e Dadi **23**, in dotazione.

## Fissaggio Traliccio

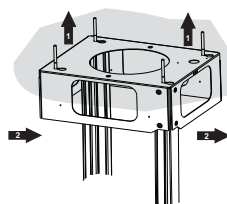
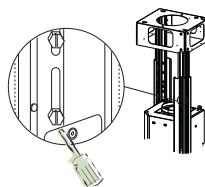
- Svitare le due viti che fissano il camino inferiore e sfilarlo dal traliccio (dalla parte inferiore).
- Svitare le due viti che fissano il camino superiore e sfilarlo dal traliccio (dalla parte superiore).

Nel caso in cui si voglia regolare l'altezza del traliccio procedere come segue:

- Svitare le viti metriche che uniscono le due colonne, poste ai lati del traliccio;
- Regolare l'altezza desiderata del traliccio e riavvitare le viti precedentemente tolte;
- Inserire il camino superiore dall'alto e lasciarlo libero sul traliccio;
- Sollevare il traliccio, incastrare le asole sulle viti e scorrere fino a battuta;
- Stringere le due viti e avvitare le altre due in dotazione;

Prima di serrare definitivamente le viti è possibile effettuare delle regolazioni spostando il traliccio, facendo attenzione che le viti non escano dalla sede dell'asola di regolazione.

- Il fissaggio del Traliccio deve essere sicuro in relazione sia al peso della Cappa sia alle sollecitazioni causate da occasionali spinte laterali all'Apparecchio montato. A fissaggio avvenuto verificare quindi che la base sia stabile anche se il Traliccio è sollecitato a flessione.
- In tutti i casi in cui il Soffitto non fosse sufficientemente robusto sul punto di sospensione, l'Installatore dovrà provvedere a irrobustirlo con opportune piastre e contropiastre ancorate a parti strutturalmente resistenti.

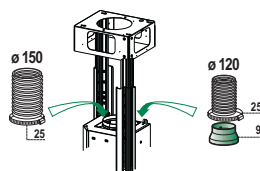


## Conessioni

### USCITA ARIA VERSIONE ASPIRANTE

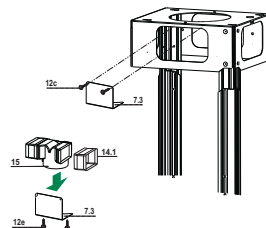
Per installazione in Versione Aspirante collegare la Cappa alla tubazione di uscita per mezzo di un tubo rigido o flessibile di  $\varnothing 150$  o  $120$  mm, la cui scelta è lasciata all'installatore.

- Per collegamento con tubo  $\varnothing 120$  mm, inserire la Flangia di riduzione **9** sull'Uscita del Corpo Cappa.
- Fissare il tubo con adeguate fascette stringitubo. Il materiale occorrente non è in dotazione.
- Togliere eventuali Filtri Antiodore al Carbone attivo.



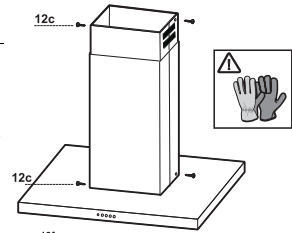
### Uscita aria Versione Filtrante

- Inserire lateralmente le Prolunghe Raccordo **14.1** sul Raccordo **15**.
- Inserire il Raccordo **15** nella Staffa di Sostegno **7.3** fissandolo con le Viti.
- Fissare la Staffa di Sostegno **7.3** fissandola con le Viti alla parte superiore.
- Assicurarsi che l'uscita delle Prolunghe Raccordo **14.1** risulti in corrispondenza delle bocchette del Camino sia in orizzontale che in verticale.
- Collegare il Raccordo **15** all'Uscita del Corpo Cappa per mezzo di un tubo rigido o flessibile di  $\varnothing 150$  mm, la cui scelta è lasciata all'installatore.
- Assicurarsi della presenza del Filtro Antiodore al Carbone attivo.



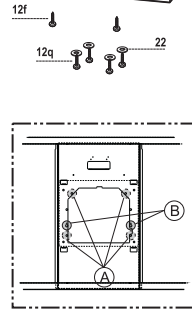
## Montaggio Camino e Fissaggio Corpo Cappa

- Posizionare il Camino superiore e fissare nella parte superiore al Traliccio con 2 Viti **12c** (2,9 x 6,5) in dotazione.
- Analogamente posizionare il Camino inferiore e fissare nella parte inferiore al Traliccio con 2 Viti **12c** (2,9 x 6,5) in dotazione.



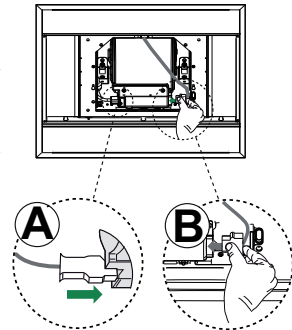
Prima di fissare il Corpo Cappa al Traliccio:

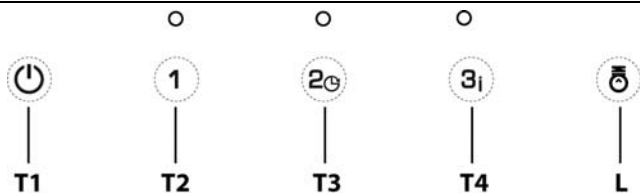
- Avvitare per metà le 2 Viti **12f** sulla parte inferiore del traliccio in posizione laterale in corrispondenza dei 2 fori predisposti.
- Togliere i Filtri antigrasso dal Corpo Cappa;
- Togliere eventuali Filtri Antiodore al Carbone attivo.
- Sollevare il Corpo Cappa e incastrare le Viti **12f** sulle asole (rif.**A**) fino a battuta.
- Fissare da sotto con 4 Viti **12q** e 4 Rondelle **22** in dotazione il Corpo Cappa al Traliccio predisposto (rif.**B**) e serrare definitivamente tutte le Viti.



## CONNESSIONE ELETTRICA

- Collegare la Cappa all'Alimentazione di Rete interponendo un Interruttore bipolare con apertura dei contatti di almeno 3 mm.
- Rimuovere i Filtri antigrasso (vedi par. "Manutenzione") e assicurarsi che il connettore del Cavo di alimentazione (**A**) sia correttamente inserito nella presa dell'Aspiratore.
- Collegare il connettore **B** sulla presa rimasta libera a lato dell'aspiratore





## Quadro comandi

Tasto	Led	Funzione
<b>T1</b>	-	Spegne il Motore.
<b>T2</b>	Fisso	Accende il Motore alla Prima velocità.
<b>T3</b>	Fisso	Accende il Motore alla Seconda velocità.
	Lampeggia una volta al secondo il corrispondente Led della Velocità impostata.	Tenendo premuto per 2 secondi accende e spegne la Funzione <b>Delay</b> . Attiva lo spegnimento automatico(Motore+Luci) ritardato di 30'. Adatto per completare l'eliminazione di odori residui. Attivabile da qualsiasi posizione con funzione <b>Intensiva</b> disabilitata, si disattiva premendo il tasto o spegnendo il motore.
<b>T4</b>	Fisso	Accende il Motore alla Terza velocità.
	Lampeggia due volte al secondo	Accende e spegne la funzione <b>Intensiva</b> . Questa velocità è temporizzata a 6 minuti. Terminato il tempo, il sistema ritorna automaticamente alla velocità precedentemente selezionata. Si disattiva premendo il tasto o spegnendo il motore. Non è attivabile con funzione <b>Delay</b> attiva.
<b>L</b>	-	Accende e spegne l'Impianto di Illuminazione alla massima intensità



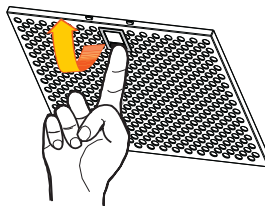
# MANUTENZIONE

---

## Filtri antigrasso

### PULIZIA FILTRI ANTIGRASSO METALLICI AUTOPORTANTI

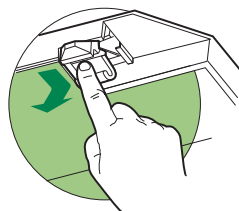
- Sono lavabili anche in lavastoviglie, e necessitano di essere lavati ogni 2 mesi circa di utilizzo o più frequentemente, per un uso particolarmente intenso.
- Togliere i Filtri uno alla volta, sostenendoli con una mano mentre con l'altra si tira la leva verso il basso.
- Lavare i Filtri evitando di piegarli, e lasciarli asciugare prima di rimontarli.
- Rimontarli facendo attenzione a mantenere la maniglia verso la parte visibile esterna



## Filtro antiodore (Versione Filtrante)

### SOSTITUZIONE FILTRO ANTIODORE AL CARBONE ATTIVO

- Non è lavabile e non è rigenerabile, va sostituito almeno ogni 4 mesi o più frequentemente, per un uso particolarmente intenso.
- Togliere i Filtri antigrasso metallici.
- Rimuovere il Filtro antiodore al Carbone attivo saturo, agendo sugli appositi agganci.
- Montare il nuovo Filtro agganciandolo nella sua sede.
- Rimontare i Filtri antigrasso metallici.



## Illuminazione

- Per la sostituzione contattare l'Assistenza Tecnica ("Per l'acquisto rivolgersi all'assistenza tecnica").

## CONSIGNES DE SÉCURITÉ

---

**i** Pour votre sécurité et pour garantir le fonctionnement correct de l'appareil, veuillez lire attentivement ce manuel avant d'installer et de mettre en fonction l'appareil. Toujours conserver ces instructions avec l'appareil, même en cas de cession ou de transfert à une autre personne. Il est important que les utilisateurs connaissent toutes les caractéristiques de fonctionnement et de sécurité de l'appareil.

**⚠** La connexion des câbles doit être effectuée par un technicien compétent.

- En aucun cas le fabricant ne peut être tenu pour responsable d'éventuels dommages dus à une installation ou à une utilisation impropre.
- La distance de sécurité minimum entre le plan de cuisson et la hotte aspirante est de 650 mm (certains modèles peuvent être installés à une hauteur inférieure ; voir le paragraphe concernant les dimensions de travail et l'installation).
- Si les instructions d'installation du plan de cuisson à gaz spécifient une distance supérieure à celle indiquée ci-dessus, veuillez impérativement en tenir compte.
- Assurez-vous que la tension du secteur correspond à celle indiquée sur la plaque des caractéristiques apposée à l'intérieur de la hotte.
- Les dispositifs de sectionnement doivent être montés dans l'installation fixe conformément aux normes sur les systèmes de câblage.
- Pour les appareils de Classe I, s'assurer que l'installation électrique de votre intérieur dispose d'une mise à la terre adéquate.
- Reliez l'aspirateur du conduit de cheminée avec un tube ayant un diamètre minimum de 120 mm. Le parcours des fumées doit être le plus court possible.
- Respecter toutes les normes concernant l'évacuation de l'air.
- Ne reliez pas la hotte aspirante aux conduits de cheminée qui acheminent les fumées de combustion (par ex. de chaudières, de cheminées, etc.).

- Si vous utilisez l'aspirateur en même temps que des appareils non électriques (par ex. fonctionnant au gaz), veillez à ce que la pièce soit adéquatement ventilée, afin d'empêcher le retour du flux des gaz d'évacuation. Si vous utilisez la hotte de cuisine en même temps que des appareils non alimentés à l'électricité, la pression négative dans la pièce ne doit pas dépasser 0,04 mbar, afin d'éviter que les fumées soient réaspirées dans la pièce où se trouve la hotte.
- Ne pas évacuer l'air à travers une conduite utilisée pour l'évacuation des fumées des appareils de combustion alimentés au gaz ou avec d'autres combustibles.
- Si le cordon d'alimentation est endommagé, faites-le remplacer par le fabricant ou par un technicien d'un service après-vente agréé.
- Branchez la fiche à une prise conforme aux normes en vigueur et dans une position accessible.
- En ce qui concerne les dimensions techniques et de sécurité à adopter pour l'évacuation des fumées, veuillez vous conformer scrupuleusement aux règlements établis par les autorités locales.


**⚠ AVERTISSEMENT** : Avant d'installer la hotte, retirer les films de protection.

- Utilisez exclusivement des vis et des petites fournitures du type adapté pour la hotte.


**⚠ AVERTISSEMENT** toute installation de vis et de dispositifs de fixation non conformes à ces instructions peut entraîner des risques de décharges électriques.

- Ne pas observer directement avec des instruments optiques (jumelles, lentilles grossissantes...).
- Ne flambez pas des mets sous la hotte : sous risque de développer un incendie.
- Cet appareil peut être utilisé par des enfants de plus de 8 ans et par des personnes dont les capacités physiques, sensorielles ou mentales sont diminuées ou ayant une expérience et des connaissances insuffisantes, pourvu que ce soit sous la surveillance attentive d'une personne responsable et après avoir reçu des instructions sur la manière d'utiliser cet appareil en toute sécurité et sur les dangers que cela comporte. Assurez-vous que les enfants ne jouent pas avec cet appareil. Le nettoyage et l'entretien de la part de l'utilisateur ne doivent pas être effectués par des enfants, à moins qu'ils ne soient surveillés.
- Surveillez les enfants. S'assurer qu'ils ne jouent pas avec l'appareil.

- Cet appareil n'est pas destiné à être utilisé par des personnes (enfants compris) dont les capacités physiques, sensorielles ou mentales sont diminuées ou ayant une expérience et des connaissances insuffisantes, à moins que celles-ci ne soient attentivement surveillées et instruites.

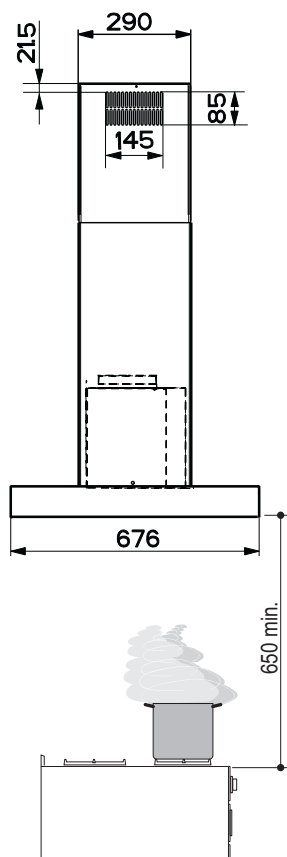
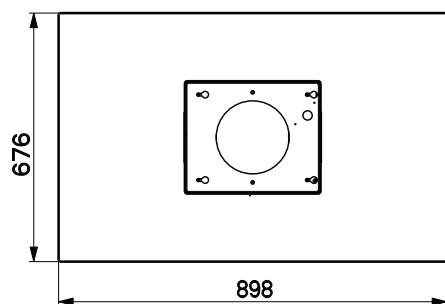
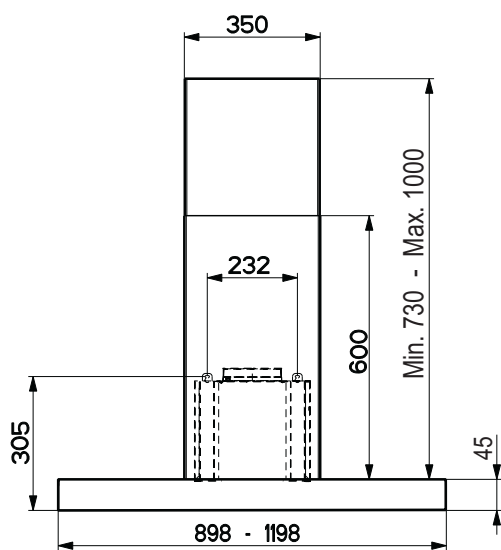
 Les parties accessibles peuvent devenir très chaudes durant l'utilisation des appareils de cuisson.

- Nettoyer et/ou remplacer les filtres après le délai indiqué (danger d'incendie). Voir le paragraphe Nettoyage et Entretien.
- Veillez à ce que la pièce bénéficie d'une ventilation adéquate lorsque la hotte fonctionne en même temps que des appareils utilisant du gaz ou d'autres combustibles (non applicable aux appareils qui évacuent l'air uniquement dans la pièce).

- Le symbole  marqué sur le produit ou sur son emballage indique que ce produit ne peut pas être éliminé comme déchet ménager normal. Lorsque ce produit doit être éliminé, veuillez le remettre à un centre de collecte prévu pour le recyclage du matériel électrique et électronique. En vous assurant que cet appareil est éliminé correctement, vous participez à prévenir des conséquences potentiellement négatives pour l'environnement et pour la santé, qui risqueraient de se présenter en cas d'élimination inappropriée. Pour toute information supplémentaire sur le recyclage de ce produit, contactez votre municipalité, votre déchetterie locale ou le magasin où vous avez acheté ce produit.

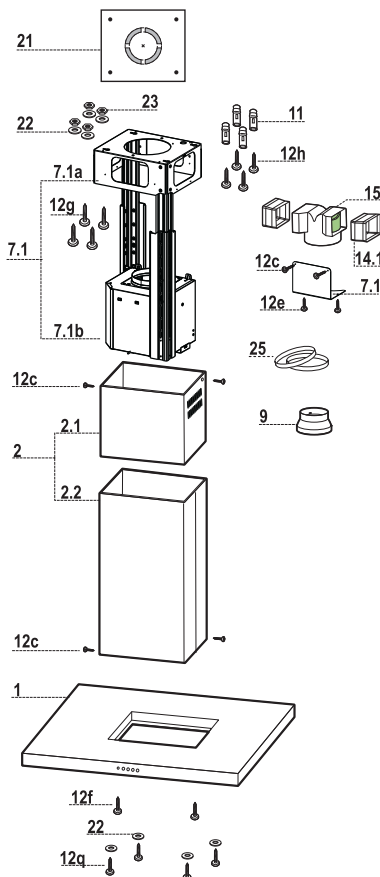
# CARACTERISTIQUES

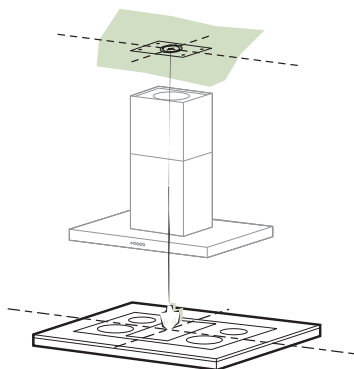
## Encombrement



## Composants

Réf.	Q.té	Composants de Produit
1	1	Corps Hotte équipé de: Comandes, Lumière, Filtres
2	1	Cheminée Télescopique formée de :
2.1	1	Cheminée Supérieure
2.2	1	Cheminée Inférieure
7.1	1	Treillis télescopique avec Aspirateur, formé par:
7.1a	1	Treillis supérieur
7.1b	1	Treillis inférieur
9	1	Flasque de Réduction ø 150-120 mm
14.1	2	Rallonge Raccord Sortie Air
15	1	Raccord Sortie Air
25		Colliers de serrage serre-tube (non compris)
Réf.	Q.té	Composants pour l'installation
7.3	1	Bride Support Raccord
11	4	Cheilles ø 10
12c	6	Vis 2,9 x 6,5
12e	2	Vis 2,9 x 9,5
12f	2	Vis M4 x 80
12g	4	Vis M6 x 80
12h	4	Vis 5,2 x 70
12q	4	Vis 3,5 x 9,5
21	1	Gabarit de perçage
22	8	Rondelles øi 6,4
23	4	Écrous M6
Q.té	Documentation	
1	Manuel d'instructions	





---

## Perçage Plafond/Étagère et Fixation Treillis

---

### PERÇAGE PLAFOND/ETAGERE

- À l'aide d'un Fil à plomb, reporter sur le Plafond/Étagère de support le centre du Plan de Cuisson.
- Poser contre le Plafond/Étagère le Gabarit de Perçage **21** fourni avec l'appareil, en faisant coïncider son centre avec le centre projeté et en alignant les axes du Gabarit avec les axes du Plan de Cuisson.
- Marquer les centres des Trous du Gabarit.
- Percer les trous qui ont été marqués:
  - Plafond en Béton massif: en fonction des Goujons pour Béton utilisés.
  - Plafond en Briques avec chambre à air, avec épaisseur résistante de 20 mm:  $\varnothing$  10 mm (insérer immédiatement les Chevilles **11** fournies avec l'appareil).
  - Plafond en Poutrage en Bois: en fonction des Vis à Bois utilisées.
  - Étagère en Bois:  $\varnothing$  7 mm.
  - Passage du Câble électrique d'Alimentation:  $\varnothing$  10 mm.
  - Sortie Air (Version Aspirante): en fonction du diamètre de la connexion avec les Tuyaux d'Évacuation Externe.
- Visser deux vis en les croisant et en laissant 4-5 mm. de distance par rapport au plafond:
  - pour le Béton massif, des Goujons pour Béton, non fournis avec l'appareil.
  - pour Briques percées, ayant une épaisseur résistante de 20 mm. environ, utiliser les Vis **12h**, fournies avec l'appareil.
  - pour le Poutrage en bois, 4 Vis à bois, non fournies avec l'appareil.
  - pour l'Étagère en Bois, 4 Vis **12g** avec Rondelles **22** et Écrous **23**, fournis avec l'appareil.

## FIXATION TREILLIS

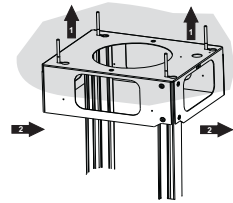
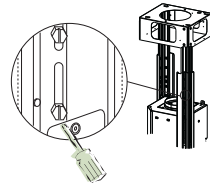
- Dévisser les deux vis qui fixent la cheminée inférieure et sortir cette dernière du treillis (depuis la partie inférieure).
- Dévisser les deux vis qui fixent la cheminée supérieure et sortir cette dernière du treillis (depuis la partie supérieure).

Si l'on souhaite régler la hauteur du treillis, effectuer les opérations suivantes:

- Dévisser les vis métriques qui unissent les deux colonnes, qui se trouvent sur les côtés du treillis.
- Régler la hauteur souhaitée du treillis et revisser les vis qui ont été précédemment retirées.
- Insérer la cheminée supérieure depuis le haut et la laisser libre sur le treillis.
- Soulever le treillis, encastrer les œillets sur les vis et faire coulisser jusqu'à la butée;
- Serrer les deux vis et visser les autres deux vis fournies avec l'appareil;

Avant de serrer définitivement les vis, il est possible d'effectuer des réglages, en déplaçant le treillis, tout en contrôlant que les vis ne sortent pas du logement de l'œillet de réglage.

- La fixation du Treillis doit être solide, en fonction du poids de la Hotte et des contraintes provoquées par les poussées latérales occasionnelles auxquelles l'Appareil monté sera soumis. Après avoir effectué la fixation, vérifier que la base soit stable, même si le Treillis est soumis à des contraintes de flexion.
- Dans tous les cas où le Plafond ne devait pas être suffisamment robuste en correspondance du point d'accrochage, l'Installateur devra se charger de le rendre plus solide au moyen de plaques et contre-plaques spéciales, ancrées sur les parties structurellement résistantes.



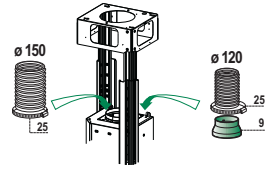


## Branchements

### SORTIE AIR VERSION ASPIRANTE

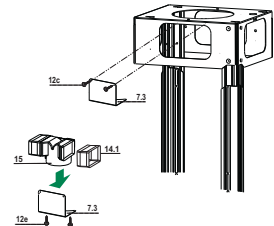
Pour l'installation en version aspirante, relier la hotte au tube de sortie au moyen d'un tube rigide ou flexible de  $\varnothing$  150 ou 120 mm dont le choix est laissé à l'installateur.

- Pour la liaison avec le tube  $\varnothing$ 120 mm, insérer la buse de réduction **9** sur la sortie du corps de la hotte.
- Fixer le tube avec des colliers serre-tube appropriés. Le matériel nécessaire n'est pas fourni.
- Retirer les filtres anti-odeur à charbon actif éventuels.



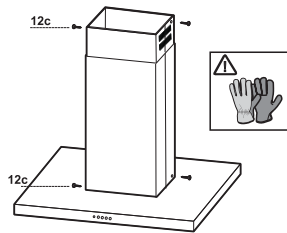
### Sortie de l'air version filtrante

- Monter latéralement les rallonges du raccord **14.1** sur le raccord **15** ;
- Placer le raccord **15** dans l'étrier de soutien **7.3** en le fixant avec les vis ;
- Fixer l'étrier de soutien **7.3** en le fixant avec les vis à la partie supérieure.
- S'assurer que la sortie des rallonges du raccord **14.1** se trouve en face des ouvertures du conduit, aussi bien horizontalement que verticalement ;
- Raccorder le raccord **15** à la sortie du corps de hotte au moyen d'un tuyau rigide ou flexible de 150 mm de diamètre, au choix de l'installateur ;
- S'assurer de la présence du filtre anti-odeur au charbon actif.



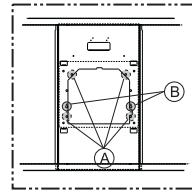
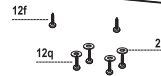
## Montage Cheminée - Montage Corps Hotte

- Positionner la Cheminée supérieure et fixer cette dernière dans la partie supérieure du Treillis à l'aide de 2 Vis **12c** (2,9 x 6,5) fournies avec l'appareil.
- De la même façon, positionner la Cheminée inférieure et fixer cette dernière dans la partie inférieure du Treillis à l'aide de 2 Vis **12c** (2,9 x 6,5) fournies avec l'appareil.



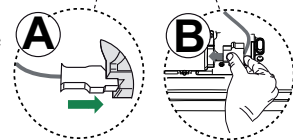
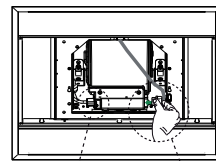
Avant de fixer le corps de la hotte au treillis :

- Visser à mi-course les 2 vis **12f** sur la partie inférieure du treillis en position latérale en correspondance des 2 trous prévus.
- Retirer les filtres à graisse du corps de la hotte.
- Retirer les éventuels filtres anti-odeur au charbon actif.
- Soulever le corps de la hotte et emboîter les vis **12f** dans leur trou (réf.A) jusqu'en butée.
- En passant par dessous, fixer avec les 4 vis **12q** et les 4 rondelles **22** fournies le corps de la hotte au treillis prévu (réf.B) et serrer définitivement toutes les vis.

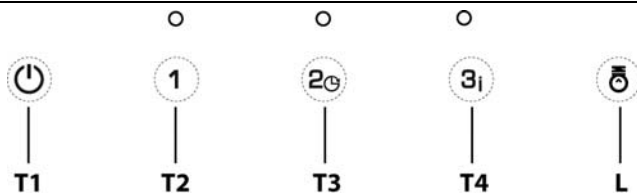


## CONNEXION ÉLECTRIQUE

- Brancher la hotte à l'alimentation du secteur en intercalant un interrupteur bipolaire avec une ouverture des contacts d'au moins 3 mm.
- Retirer les filtres à graisse (voir par. « Entretien ») et s'assurer que le connecteur du câble d'alimentation (**A**) est correctement branché dans la prise de l'aspirateur.
- Brancher le connecteur **B** dans la prise restée libre à côté de l'aspirateur



# UTILISATION



**Tableau des commandes**

Touche	Led	Fonction
<b>T1</b>	-	Coupe le moteur.
<b>T2</b>	Fixe	Démarre le moteur en première vitesse.
<b>T3</b>	Fixe	Démarre le moteur en deuxième vitesse.
	La led de la vitesse programmée clignote une fois par seconde	En gardant appuyé pendant 2 secondes, branche et débranche la fonction <b>Delay</b> . Branche l'extinction automatique (Moteur + Éclairage) différée de 30'. Adapté pour compléter l'élimination d'odeurs résiduelles. Activable à partir de n'importe quelle position avec la fonction <b>Intensive</b> désactivée. Pour désactiver, appuyer sur la touche ou couper le moteur.
<b>T4</b>	Fixe	Démarre le moteur en troisième vitesse.
	Clignote deux fois par seconde	Branche et débranche la fonction <b>Intensive</b> . Cette vitesse est temporisée à 6 minutes. À la fin du temps, le système retourne automatiquement à la vitesse précédemment sélectionnée. Pour la désactiver, appuyer sur la touche ou éteindre le moteur. Elle n'est pas activable si la fonction <b>Delay</b> est active.
<b>L</b>	-	Branche et débranche l'éclairage à l'intensité maximum

# ENTRETIEN

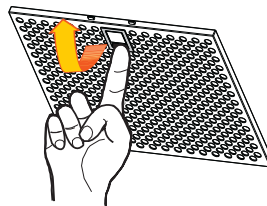
---

## Filtres anti-graisse

---

### NETTOYAGE FILTRES ANTI-GRAISSE METALLIQUES AUTOPORTEURS

- Lavables au lave-vaisselle, ils doivent être lavés environ tous les 2 mois d'emploi ou plus fréquemment en cas d'emploi particulièrement intense.
- Enlevez les filtres l'un après l'autre en les soutenant avec une main et en tirant en même temps la poignée vers le bas avec l'autre main.
- Laver les filtres en évitant de les plier et les laisser sécher avant de les remonter.
- Remonter les filtres en veillant à ce que la poignée reste vers la partie visible externe

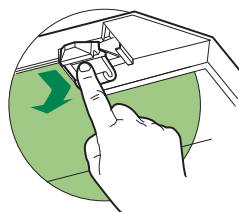


## Filtre anti-odeur (Version filtrante)

---

### REPLACEMENT FILTRE AU CHARBON ACTIF

- Ni lavable, ni régénérable, le remplacer au moins tous les 4 mois d'emploi ou plus fréquemment en cas d'emploi particulièrement intense.
- Retirer les filtres anti-graisse métalliques.
- Retirer le filtre anti-odeur au charbon actif colmaté, en agissant sur les crochets prévus à cet effet.
- Monter le nouveau filtre anti-odeur au charbon actif.
- Remonter les filtres anti-graisse métalliques.



## Éclairage

---

- Pour le remplacement, contacter le Service après-vente (« Pour l'achat, s'adresser au service après-vente »).

# SICHERHEITSINFORMATIONEN

---



Zu Ihrer eigenen Sicherheit und für die korrekte Funktion des Gerätes lesen Sie bitte diese Betriebsanleitung aufmerksam durch, bevor Sie das Gerät installieren und benutzen. Verwahren Sie die Bedienungsanleitung stets zusammen mit dem Gerät, auch wenn Sie dieses an Dritte weitergeben oder übertragen. Es ist wichtig, dass der Benutzer alle Betriebs- und Sicherheitsmerkmale des Gerätes kennt.




Die Kabel müssen von einem zuständigen Fachmann angeschlossen werden.


- Der Hersteller haftet nicht für etwaige Schäden, die durch eine fehlerhafte Installation oder einen ungeeigneten Gebrauch entstehen könnten.
- Der min. Sicherheitsabstand zwischen Kochfeld und Abzugshaube beträgt 650 mm (einige Modelle können auch niedriger installiert werden; siehe Absatz Installation).
- Sollten die Installationsanweisungen des gasbetriebenen Kochfelds einen größeren Abstand als oben angegeben vorsehen, ist dies zu berücksichtigen.
- Sicherstellen, dass die Netzspannung der auf dem Typenschild angegebenen Spannung entspricht. Das Typenschild ist im Inneren der Haube angebracht.
- Trennvorrichtungen müssen in der festen Anlage gemäß Normen über Verkabelungssysteme installiert werden.
- Für Geräte der Klasse I sicherstellen, dass das Versorgungsnetz des Gebäudes korrekt geerdet ist.
- Die Abzugshaube an den Schornstein mit einem Rohr mit Mindestdurchmesser von 120 mm anschließen. Der Verlauf des Rauchabzugs muss so kurz wie möglich sein.
- Alle gesetzlichen Vorschriften im Bereich Abluft einhalten.
- Die Abzugshaube darf nicht an einen Schacht angeschlossen werden, in den Rauchgase abgeleitet werden (z. B. von Heizkesseln, Kaminen, usw.).

- Falls die Abzugshaube mit Geräten verwendet wird, die nicht elektrisch betrieben sind (z.B. Gasgeräte), muss im Raum für eine ausreichende Belüftung gesorgt werden, damit der Rückfluss der Abgase verhindert wird. Wird die Abzugshaube zusammen mit nicht elektrisch betriebenen Geräten eingesetzt, darf der Unterdruck im Raum 0,04 mbar nicht überschreiten, damit die Abgase nicht wieder angesaugt werden.
  - Die Luft darf nicht durch einen Kanal abgelassen werden, der als Rauchabzug für Gasgeräte oder Geräte verwendet wird, die mit anderen Brennstoffen betrieben werden.
  - Wenn das Gerätekabel beschädigt ist, muss es vom Hersteller oder von einem Kundendiensttechniker ersetzt werden.
  - Den Stecker in eine den einschlägigen Vorschriften entsprechende zugängliche Steckdose stecken.
  - Was die technischen und sicherheitsrelevanten Maßnahmen für den Rauchabzug betrifft, sind die Vorgaben der örtlichen Behörden streng einzuhalten.
- ⚠️ WARNUNG:** Bevor die Haube installiert wird, die Schutzfolien abziehen.
- Nur für die Abzugshaube geeignete Schrauben und Kleinteile verwenden.
- ⚠️ WARNUNG:** Die mangelnde Verwendung von Schrauben und Befestigungselementen gemäß der vorliegenden Anleitung kann zu Stromschlaggefahr führen.
- Nicht direkt mit optischen Instrumenten (Fernglas, Lupe, usw.) in das Licht schauen.
  - Auf keinen Fall unter der Haube flambieren: Dabei könnte ein Brand entstehen.
  - Dieses Gerät darf von Kindern ab 8 Jahren und von Personen mit beschränkten geistigen, physischen oder sensorischen Fähigkeiten oder mangels Erfahrung und/oder mangels Wissen benutzt werden, vorausgesetzt, sie werden aufmerksam beaufsichtigt oder über den sicheren Gebrauch des Geräts und die damit verbundenen Gefahren eingewiesen. Sicherstellen, dass Kinder nicht mit dem Gerät spielen. Vom Benutzer auszuführende Reinigungs- und Wartungsarbeiten dürfen nicht von Kindern ausgeführt werden, sofern sie nicht dabei beaufsichtigt werden.
  - Kinder müssen beaufsichtigt werden, damit sichergestellt wird, dass sie nicht am Gerät spielen.

- Dieses Gerät darf nicht von Personen (einschließlich Kindern) mit beschränkten geistigen, physischen oder sensorischen Fähigkeiten oder mangels Erfahrung und/oder mangels Wissen benutzt werden, außer sie werden aufmerksam beaufsichtigt und eingewiesen.

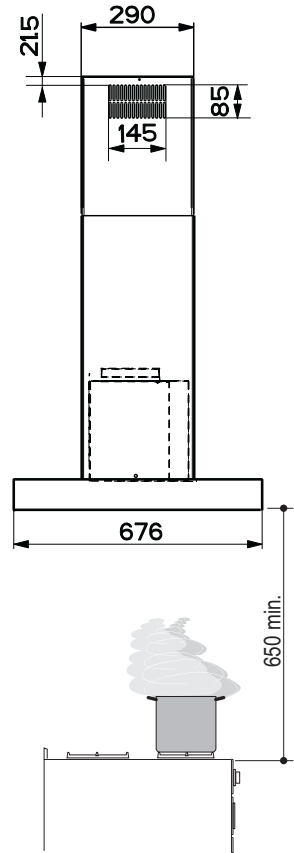
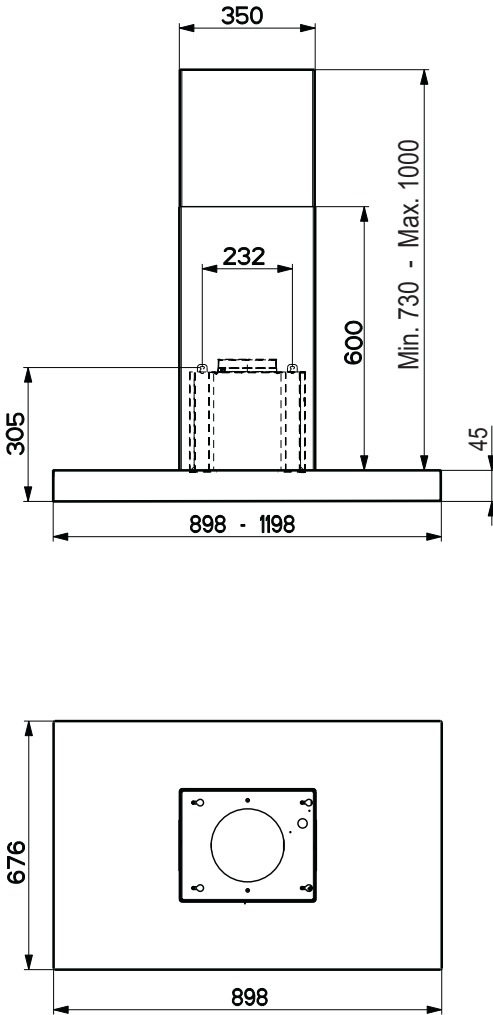
 Die frei zugänglichen Teile können während des Kochens mit Kochgeräten sehr heiß werden.

- Die Filter sind nach den angegebenen Intervallen zu reinigen und/oder zu ersetzen (Brandgefahr). Siehe Absatz Wartung und Reinigung.
- Wenn die Abzugshaube gleichzeitig mit Geräten verwendet wird, die Gas oder andere Brennstoffe benutzen, muss im Raum eine ausreichende Belüftung vorhanden sein (gilt nicht für Geräte, die nur Luft in den Raum ablassen).

- Schutzschild bei Rissbildung ersetzen. Das Symbol  am Produkt oder auf der Verpackung weist darauf hin, dass das Gerät nicht als normaler Hausmüll entsorgt werden darf. Das ausrangierte Gerät muss vielmehr bei einer speziellen Sammelstelle für elektrische und elektronische Geräte abgegeben werden. Mit der vorschriftsmäßigen Entsorgung des Gerätes trägt der Benutzer dazu bei, schädliche Auswirkungen auf Umwelt und Gesundheit zu vermeiden. Weitere Informationen zum Recycling dieses Produktes können bei der zuständigen Behörde, der örtlichen Abfallbeseitigung oder bei dem Händler, der das Gerät verkauft hat, eingeholt werden.

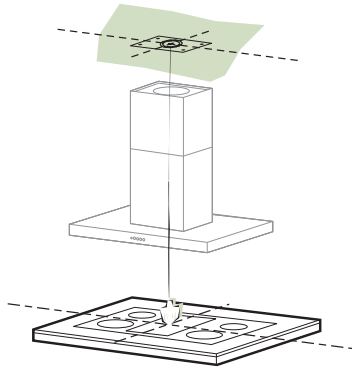
# CHARAKTERISTIKEN

## Platzbedarf









## Bohren der Decke/Trägerplatte und Montage des Teleskopgerüsts

**⚠ Achtung:** Bitte beachten Sie bei der Montage das Gewicht der kompletten Haube. Die Tragfähigkeit der Decke oder alternativ der Trägerplatte für diese Zugbelastung muss vor der Montage geprüft und gegebenenfalls durch die Anbringung von geeigneten Befestigungs- oder Stabilisierungselementen hergestellt werden. Kann eine hinreichende Tragfähigkeit nicht sichergestellt werden, ist von einer Montage abzusehen.

### BOHREN DER DECKE/TRÄGERPLATTE

- Mit Hilfe eines Lots den Kochmulden-Mittelpunkt an der Decke oder Trägerplatte ermitteln und kennzeichnen.
- Die mitgelieferte Bohrschablone **21** so auf die Decke/Trägerplatte legen, dass die Schablonenmitte mit dem gekennzeichneten Mittelpunkt übereinstimmt und die Schablonenseiten auf die Seiten der Kochmulde ausrichten.
- Die Mitte der Schablonenbohrungen kennzeichnen.
- Die gekennzeichneten Punkte bohren:
  - Massivbeton-Decke: je nach verwendeten Beton-Dübeln.
  - Decke aus Hohlkammer-Ziegeln mit 20 mm Wandungsstärke:  $\varnothing$  10 mm (sofort die mitgelieferten Dübel **11** einfügen).
  - Holzbalkendecke: je nach verwendeten Holzschrauben.
  - Holz-Trägerplatte:  $\varnothing$  7 mm.
  - Durchgang für das Speisekabel:  $\varnothing$  10 mm.
  - Luftaustritt (Abluftversion): je nach Durchmesser des Anschlussrohres für die Luftableitung.
- Zwei sich gegenüberliegende Schrauben festziehen und 4-5 mm Freiraum zur Decke belassen:
  - bei Massiv-Betondecken mit speziellen Betondübeln, die nicht mitgeliefert werden;
  - für Hohlkammer-Ziegeln mit ca. 20 mm Wandungsstärke die mitgelieferten Schrauben **12h** verwenden;
  - bei Holzbalken-Decken mit 4 Holzschrauben, die nicht mitgeliefert werden;
  - bei Holz-Trägerplatten mit 4 Schrauben **12g**, Unterlegscheiben **22** und Schraubenmuttern **23**, die im Lieferumfang enthalten sind.

## Montage des Teleskopgerüsts

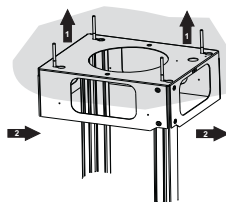
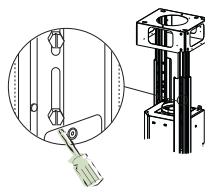
- Die beiden Schrauben lösen, die den unteren Gerüstteil fixieren und diesen aus dem Gerüst ziehen (an der Unterseite)
- Die beiden Schrauben lösen, die den oberen Gerüstteil fixieren und diesen aus dem Gerüst ziehen (an der Oberseite).

Für eine eventuelle Regulierung der Gerüsthöhe folgendermaßen vorgehen:

- Die Stellschrauben an den Gerüstseiten, die die beiden Säulen vereinen, lösen.
- Den oberen Gerüstteil von oben einfügen und frei auf dem Gerüst lassen.
- Das Gerüst heben, die Langlöcher bei den Schrauben einrasten und bis zum Anschlag laufen lassen;
- Die beiden Schrauben festziehen und die beiden anderen mitgelieferten Schrauben einschrauben;

Bevor die Schrauben definitiv festgezogen werden, kann eine Regelung durch Bewegen des Gerüsts erfolgen, wobei darauf zu achten ist, dass die Schrauben nicht aus dem Sitz des Regellangloches austreten.

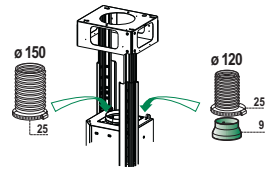
- Wir verweisen auf die Notwendigkeit einer absolut sicheren Befestigung des Teleskopgerüsts, die sowohl dem Eigengewicht der Haube wie auch dem seitlichen Druck, der auf das Gerät einwirken kann, entsprechen muss. Nach erfolgter Montage ist zu prüfen, ob das Teleskopgerüst auch bei Biegebeanspruchung stabil ist.
- Sollte die Decke am Befestigungspunkt nicht robust genug sein, muss der Installateur geeignete Platten und Gegenplatten verwenden, die an strukturell widerstandsfähigen Teilen verankert werden.



## Anschluss der Abluftversion

Bei Abluftbetrieb kann die Haube vom Installateur wahlweise mittels Rohr oder Schlauch ( $\varnothing$  150 oder 120 mm) an die Außenrohrleitung angeschlossen werden.

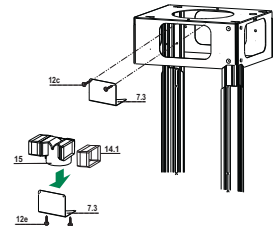
- Bei Verwendung eines Anschlussrohres  $\varnothing$  120 den Reduzierflansch **9** am Haubenaustritt anbringen.
- Das Rohr mit geeigneten Rohrschellen fixieren. Das hierzu erforderliche Material wird nicht mitgeliefert.
- Eventuell vorhandene Aktivkohlefilter entnehmen.



**⚠ Achtung!** Alle Querschnittänderungen oder Richtungsänderungen des Abluftkanals reduzieren die Leistung der Haube.

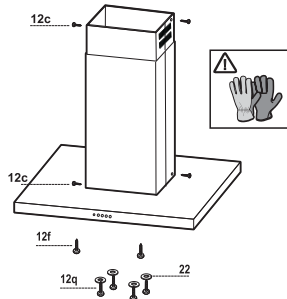
## Luftaustritt bei der Umluftvariante

- Die Anschlussverlängerungen **14.1** seitlich am Anschluss **15** einsetzen.
- Den Anschluss **15** am Haltewinkel **7.3** einsetzen und mit den Schrauben fixieren.
- Den Haltewinkel **7.3** mit den Schrauben an der Oberseite befestigen.
- Sicherstellen, dass sich der Austritt der Anschlussverlängerungen **14.1** sowohl waagrecht als auch senkrecht auf Höhe der Öffnung des Kamins befindet.
- Den Anschluss **15** mittels eines starren oder flexiblen Rohrs mit  $\varnothing$ 150 mm, das vom Installateur ausgewählt wird, an den Austritt des Haubenkörpers anschließen.
- Sicherstellen, dass der Aktivkohlefilter zur Geruchsbindung vorhanden ist.



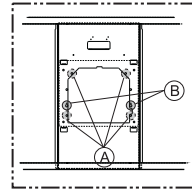
## Kaminmontage und Montage des Haubenkörpers

- Den oberen Kaminteil positionieren und beim oberen Gerüstteil mit Hilfe der 2 mitgelieferten Schrauben **12c** (2,9 x 6,5) fixieren.
- Gleichermaßen den unteren Kaminteil positionieren und beim unteren Gerüstteil mit Hilfe der 2 mitgelieferten Schrauben **12c** (2,9 x 6,5) fixieren.



Vor dem Befestigen des Haubenkörpers am Gitter:

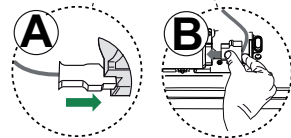
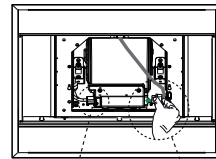
- Die beiden Schrauben **12f** halb in die beiden vorbereiteten Löcher seitlich am unteren Gitterabschnitt einschrauben.
- Die Fettfilter aus dem Haubenkörper nehmen.
- Die eventuell vorhandenen Aktivkohlefilter ausbauen.
- Den Haubenkörper anheben, die Schrauben **12f** bis zum Anschlag in die Langlöcher (Bez. **A**) stecken.
- Den Haubenkörper mit den mitgelieferten 4 Schrauben **12q** und 4 Unterlegscheiben **22** von unten am vorbereiteten Gitter (Bez. **B**) befestigen und alle Schrauben endgültig festschrauben.



## ELEKTROANSCHLUSS

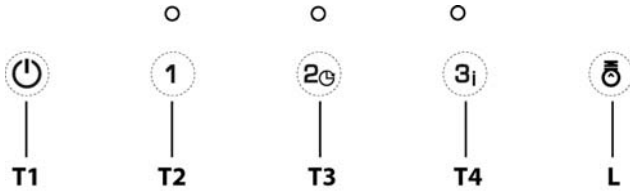
**⚠ Vor der Installation die Netzspannung durch herausdrehen der Sicherung oder ausschalten des Hauptschalters stromlos machen.**

- Beim Anschließen der Haube einen zweipoligen Schalter mit einer Öffnung der Kontakte von mindestens 3 mm zwischen-schalten.
- Die Fettfilter ausbauen (siehe Absatz "Wartung") und sicherstellen, dass der Verbinder des Stromkabels (**A**) richtig in die Buchse des Abzugs eingesteckt ist.
- Den Verbinder **B** an der frei gebliebenen Buchse an der Seite des Abzugs anschließen.



**⚠ Achtung: Das Gerät nur an die Netzspannung die im Typenschild angegeben ist anschließen.**

# BEDIENUNG



## Schalttafel

Taste	LED	Funktion
T1	-	Stellt den Motor ab.
T2	Bleibend	Schaltet den Motor bei der ersten Betriebsgeschwindigkeit ein.
T3	Bleibend	Schaltet den Motor bei der zweiten Betriebsgeschwindigkeit ein.
	Die LED der eingestellten Geschwindigkeit blinkt einmal pro Sekunde.	Durch 2 Sekunden langes Drücken wird die Funktion <b>Delay</b> ein oder ausgeschaltet. Aktiviert das automatische Ausschalten (Motor+Beleuchtung) mit einer Verzögerung von 30'. Vervollständigt die Beseitigung von Restgerüchen. Kann von jeder Position aus bei deaktivierter <b>Intensivgeschwindigkeit</b> eingeschaltet werden und wird durch Drücken der Taste oder Abstellen des Motors ausgeschaltet.
T4	Bleibend	Schaltet den Motor bei der dritten Betriebsgeschwindigkeit ein.
	Blinkt zweimal pro Sekunde.	Schaltet die <b>Intensivgeschwindigkeit</b> ein und aus. Diese Geschwindigkeit ist auf 6 Minuten zeitgeregelt. Nach Ablauf dieser Zeit kehrt das System zu der zuvor eingestellten Geschwindigkeit zurück. Wird durch Betätigen der Taste oder Abstellen des Motors deaktiviert. Nicht bei aktiver Funktion <b>Delay</b> aktivierbar.
L	-	Schaltet die Beleuchtungsanlage auf höchster Intensitätsstufe ein und aus.

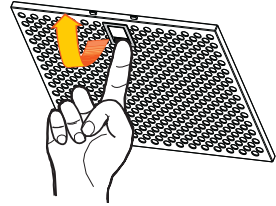
# WARTUNG

---

## Fettfilter

### REINIGUNG METALLFETTFILTER

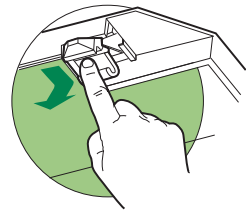
- Sie müssen nach 2-monatigem Betrieb bzw. bei starkem Einsatz auch häufiger gereinigt werden, was im Geschirrspüler möglich ist.
- Einen Filter nach dem anderen entfernen. Halten Sie den Filter mit einer Hand fest und ziehen Sie den Griff mit der anderen Hand gleichzeitig nach unten.
- Die Filter reinigen (darauf achten, sie nicht zu verbiegen) und vor dem Wiedereinbau trocknen lassen.
- Beim Wiedereinbau ist darauf zu achten, dass sich der Griff auf der sichtbaren Außenseite befindet.



## Geruchsfilter (Umluftversion)

### AUSTAUSCHEN DER AKTIVKOHLE FILTER

- Dieser Filter kann weder gewaschen noch wiederverwendet werden und ist alle 4 Betriebsmonate bzw. bei starkem Einsatz auch häufiger auszutauschen.
- Die Metallfettfilter entfernen.
- Den gesättigten Aktivkohle-Filter aushaken.
- Den neuen Filter in seinem Sitz einhaken.
- Die Metallfettfilter wieder montieren.



## Beleuchtung

### LED-Strahler

- Für den Austausch der LED-Strahler wenden Sie sich bitte an den Kundendienst.

## GÜVENLİK HAKKINDA BİLGİLER

---

**i** Kendi güvenliğiniz açısından ve cihazın düzgün çalışması için, kurulum ve devreye alma işlemlerini gerçekleştirmeden önce, lütfen bu kılavuzu dikkatlice okuyunuz. Satış ya da üçüncü şahıslara devir durumunda dahi, işbu talimatları cihaz ile birlikte bulundurun. Kullanıcıların, cihazın tüm işletim ve güvenlik özelliklerini bilmeleri önemlidir.

**⚠** Kablo bağlantıları, ehil bir kişi tarafından yapılmalıdır.

- Ürünün yanlış montajı veya kullanımından doğacak olan hasarlardan üretici sorumlu tutulamaz.
- Ocak ile davlumbaz aspiratörü arasındaki minimum güvenlik mesafesi 650 mm'dir (bazı modeller daha düşük bir yükseklikte monte edilebilir, çalışma boyutlarına ve kurulumuna ilişkin paragrafa bakın).
- Gazlı ocağın montaj talimatları, yukarıda belirtilenden daha fazla bir mesafe olması gerektiğini belirtiyorsa, bu göz önünde bulundurulmalıdır.
- Şebeke geriliminin, davlumbazın içine uygulanmış olan etiket üzerinde belirtilen gerilime karşılık gelip gelmediğini kontrol edin.
- Bağlantı kesme cihazları, kablolama sistemindeki yönetmeliklere uygun olarak sabit sisteme monte edilmelidir.
- 1. Sınıf cihazlar için, ev güç kaynağının düzgün topraklandığını kontrol edin.
- Davlumbazı, çapı en az 120 mm olan bir boru ile, duman tahliye bacasına bağlayın. Dumanın izlediği güzergah, mümkün olduğunca kısa olmalıdır.
- Hava tahliyesi ile ilgili tüm yönetmeliklere uyulmalıdır.
- Davlumbaz aspiratörünü, (örn; şofben, şömine, vb. gibi) yanıcı duman ihtiva eden kanallara bağlamayın.



- Eğer davlumbaz, elektrikli olmayan cihazlar ile (örneğin gazlı cihazlar) bir kombinasyon halinde kullanılıyorsa, tahliye gazının geriye doğru akışının önlenmesi için, yeter seviyede bir yerel havalandırma sağlanmış olmalıdır. Davlumbazın, elektrik akımı tarafından beslenmeyen cihazlarla kombine bir halde kullanıldığı zaman, ilgili mahaldeki negatif basınç, dumanın davlumbaz tarafından geriye emilmesini önlemek için, 0,04 mbar'ı aşmamalıdır.
- Hava, gaz yakma cihazlarından veya diğer yakıtlardan çıkan egzoz gazları için kullanılan bir kanaldan tahliye edilmemelidir.
- Besleme kablosu, eğer hasar görmüşse, üretici tarafından ya da bir servis teknisyeni tarafından ikame edilmelidir.
- Fişi, mevcut yürürlükteki mevzuata uygun ve erişilebilir bir prize bağlayın.
- Dumanın tahliyesi için uygulanacak teknik ve emniyet tedbirlerine ilişkin olarak, yerel makamlar tarafından belirlenen kurallara titiz bir şekilde riayet edilmesi önemlidir.

**⚠ DİKKAT:** Davlumbazı monte etmeden önce, koruyucu filmleri çıkartın.

- Davlumbaz için sadece vidalar ve uygun tipteki parçalar kullanın.

**⚠ DİKKAT:** İşbu talimatlara uygun vida ve sabitleyicilerle monte edilmemesi, elektrik şokla sonuçlanabilir.


- Optik aletler ile (dürbün, büyüteç, vb.) doğrudan doğruya gözlemlemeyin.
- Davlumbazın altında flambe yapmayınız: yangın çıkabilir.
- Bu cihaz, 8 yaşının altında olmayan çocuklar tarafından ve psikolojik-fiziksel-duyusal yetenekleri sınırlı veya bilgi ve becerileri yetersiz olan kişiler tarafından, cihazın emniyetli bir şekilde nasıl kullanılacağı ve oluşabilecek tehlikeler hakkında dikkatlice denetlenmeleri ve talimatlandırılmaları şartıyla kullanılabilir. Çocukların ekipman ile oynamadıklarından emin olun. Kullanıcı tarafından yapılacak temizlik ve bakım işlemleri, denetlenmedikleri sürece, çocuklar tarafından yürütülmemelidir.
- Çocukları, cihaz ile oynamadıklarından emin olarak gözlemleyin.

- Bu ev aleti, psikolojik, fiziksel, duyuşsal sorunları olan veya tecrübe ve bilgi eksikliği olan kişilerce (çocuklar dahil), güvenliklerinden sorumlu birisi tarafından gözlemlenmedikçe ve talimat verilmedikçe kullanılmamalıdır.

 Erişebilen parçalar, pişirme ekipmanlarının kullanılması esnasında çok sıcak bir hal alabilirler.

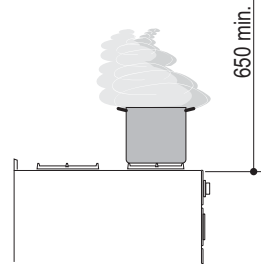
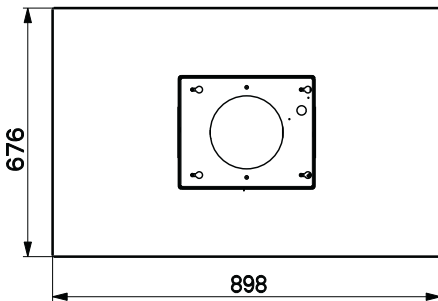
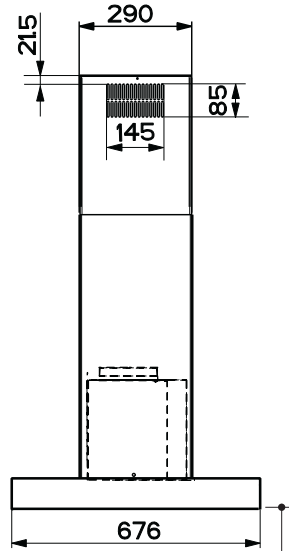
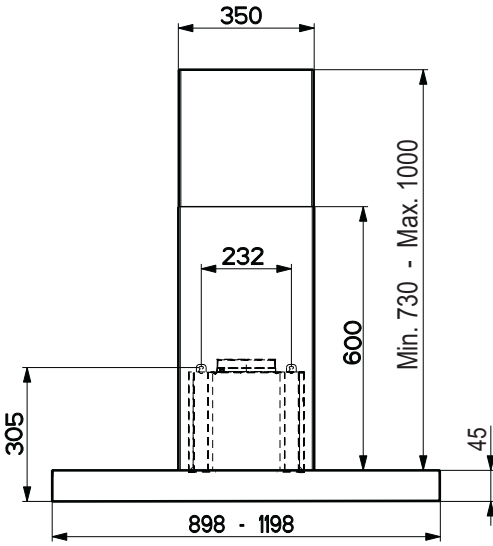
- Belirtilen zaman periyodundan sonra, filtreleri temizleyin ve/veya ikame edin (yangın tehlikesi). Bakım ve temizlik paragrafına bakın.
- Davlumbaz, gaz veya diğer yakıtları kullanan başka aletlerle birlikte kullanıldığında, oda yeterli derecede havalandırılmalıdır (sadece odaya hava salınımı yapan ev aletlerine uygundur).



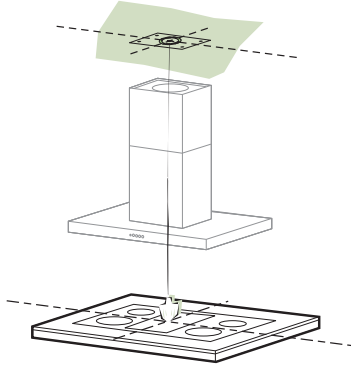
-  Ürün üzerinde ya da ambalajı üzerinde bulunan işaret, ürünün, evsel atıklar gibi bir imha işlemine tabi olmadığını belirtir. İmha edilecek ürün, elektrikli ve elektronik bileşenlerinin geri dönüşümü için, yetkili bir toplama merkezine teslim edilmelidir. Bu ürünün doğru şekilde imha edildiğinden emin olunması, aksi takdirde uygunsuz bir şekilde imhasından kaynaklanabilecek, çevre ve sağlık bakımından, muhtemel olumsuz sonuçların önlenmesine yardımcı olacaktır. Bu ürünün geri dönüşümü hakkında daha detaylı bilgi için, Belediye ile, yerel atık toplama imha servisi ile ya da ürünün satın alındığı mağaza ile irtibata geçiniz.

# ÖZELLİKLER

## Boyutlar







## Tavan / Konsol delme işlemi ve Kafesin Sabitlenmesi

### TAVANIN YADA KONSOLUN DELİNMESİ

- Bir şakül yardımıyla tavana ya da destek konsolüne pişirme tezgahının merkezini işaretleyiniz.
- Tavana veya konsola donanımla birlikte verilen delik delme şablonunu (21) dayayınız ve bunun merkeziyle işaretlenen merkezi birbirine çakıştırınız. Yani şablonun ekseni ile pişirme tezgahı ekseni bir hizaya gelmiş olsun.
- Delik delme şablonuyla delikleri duvara işaretleyiniz.
- Şu şekilde delik deliniz:
  - Masif beton tavan: beton dübelleri kullanarak.
  - Direnç kalınlığı 20 mm ve üstte hava boşluğu olan tuğla tavan: 10 mm çapında delik (donanımla verilmiş dübelleri (11) hemen takınız)
  - Ahşap tavan: ahşap dübelleri kullanarak.
  - Ahşap konsola: 7 mm çapında delik deliniz.
  - Elektrik besleme kablosunun geçişi için:  $\varnothing$  10 mm çapında.
  - Hava Çıkışı (Aspiratörlü model): Dış hava tahliye borusu bağlantısının çapına göre.
- Tavana çaprazlamasına iki vida takıp 4-5 mm dışarıda bırakınız. Bu vidalar şöyle olmalıdır:
  - Masif beton için buna uygun vida ve dübeller; bunlar donanımla verilmemiştir.
  - Hava boşluklu tuğla tavan - yaklaşık 20 mm direnç kalınlıklı - bunun için donanımla verilmiş vidaları (12h) kullanınız.
  - Ahşap tavana uygun vidalar: donanımda yoktur.
  - Ahşap konsola: donanımdaki vidalar (12g), rondelalar (22) ve civatalar (23).

## Kafesin Sabitlemesi

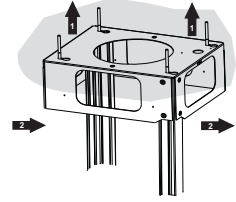
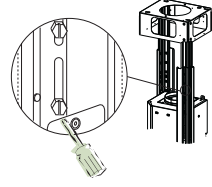
- Alt bacayı sabitleyen iki adet vidayı söküp kafesten çıkarınız (alt kısımdan).
- Üst bacayı sabitleyen iki adet vidayı söküp kafesten çıkarınız (üst kısımdan).

Kafesin yüksekliği ayarlanmak istenirse, şu şekilde hareket edilmelidir:

- Kafesin iki yanında bulunan sütunları birleştiren adet metrik vidayı sökünüz;
- Kafesin yüksekliğini istediğiniz seviyede ayarlayıp daha önce sökmüş olduğunuz adet vidayı tekrar takarak sıkınız;
- Yukarı kısımdan üst bacayı geçiriniz ve kafes üzerinde serbest bırakınız;
- Kafesi yukarı kaldırınız, delikleri vidalara geçirip dayanana kadar kaydırınız;
- İki adet vidayı sıkıp bilahare cihaz donanımıyla verilmiş olan iki adet diğer vidayı da takınız;

Vidaları nihai olarak sıkmadan önce, kafesi ayar delikleri vidalardan çıkmadan kaydırmaya özen göstererek ayarlamak mümkündür.

- Kafesin sabitlemesi hem Davlumbazın ağırlığını kaldırabilecek, hem de cihazın montajından sonra yandan gelebilecek sarsmalara dayanacak şekilde mümkün olduğunca sağlam yapılmalıdır. Sabitleme işlemi bittikten sonra, Kafesi sarsınca ve esnetince bile kaidenin sabit ve sağlam şekilde durduğunu kontrol ediniz.
- Askı noktasında tavanın yeterince sağlam olmadığı hallerde, montör buraya uygun sıkı bağlantılı levha ve plakalar uygulamak suretiyle tavan sağlamlığını artırma yoluna gitmelidir.

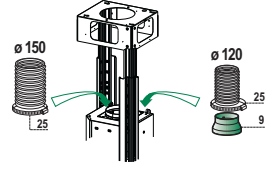


## Bağlantılar

### ASPIRATÖRLÜ MODEL HAVA ÇIKIŞI

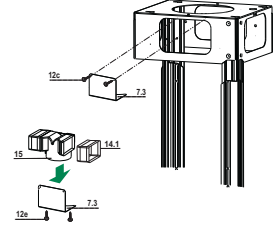
Aspiratörlü modelin montajı için, davlumbaz, montörün seçeceği 150 yada 120 mm çapında sert veya esnek bir boru ile çıkış kanalına bağlanmalıdır.

- $\varnothing 120$  mm çapında boru ile bağlantı için, redüksiyon flanşını (9) davlumbaz gövdesi çıkışına yerleştiriniz.
- Boruyu uygun kelepçelerle sıkarak sabitleyiniz. Bu malzeme davlumbaz donanımıyla birlikte verilmemiştir.
- Varsa aktif karbonlu koku alma filtrelerini çıkarınız.



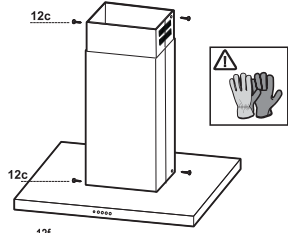
### Filtre Edici Versiyon Hava Çıkışı

- **14.1** ekleme bileziği uzatmalarını yanal olarak **15** no.lu ekleme bileziğine sokunuz.
- Vidaları sabitleyerek **15** no.lu bağlantıyı **7.3** Destek Dirseğine ekleyiniz.
- **7.3** Destek dirseğini vidalarla üst bölüme sabitleyiniz.
- **14.1** ekleme bileziği uzatmaları çıkışının, gerek yatay, gerekse dikey olarak, baca mentezlerinin hizasında bulunduğundan emin olunuz.
- **15** no.lu Bağlantıyı, montaj görevlisinin seçimine göre  $\varnothing 150$  mm çapında sert veya esnek bir hortum ile Davlumbaz Gövdesi Çıkışına bağlayınız.
- Aktif Karbonlu Koku önleyici Filtrenin bulunduğundan emin olunuz.



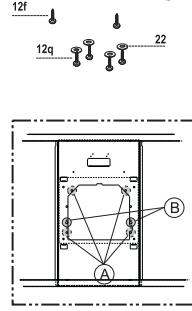
## Baca montajı ve davlumbaz gövdesinin sabitlemesi

- Üst Bacayı yerleştiriniz ve cihaz donanımındaki 2 adet vidayı **12c** (2,9 x 6,5) kullanarak yukarı kısımdan Kafese sabitleyiniz.
- Aynı şekilde alt Bacayı da yerleştiriniz ve cihaz donanımındaki 2 adet vidayı **12c** (2,9 x 6,5) kullanarak aşağı kısımdan Kafese sabitleyiniz.



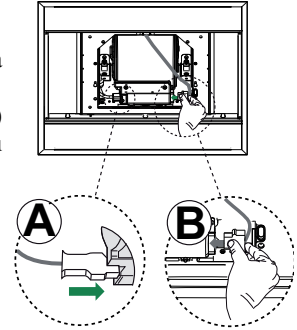
Davlumbaz Gövdesini Kafesli Izgaraya sabitlemeden önce:

- 2 adet **12f** vidayı, yan konumda kafesin alt bölümünde mevcut 2 deliğe yarı şekilde vidalayın.
- Davlumbaz gövdesinden yağlanmaya karşı filtreleri çıkartın;
- Olası Aktif Karbonlu Kokuya Karşı Filtreleri Çıkartın.
- Davlumbaz Gövdesini kaldırın ve **12f** vidaları yuvalara (ref. **A**) oturtun.
- Donanımda mevcut olan 4 adet **12q** vida ile ve 4 adet rondela **22** rondela ile davlumbaz gövdesini kafese sabitleyin (ref. **B**) ve tüm vidaları iyice sıkıştırın.



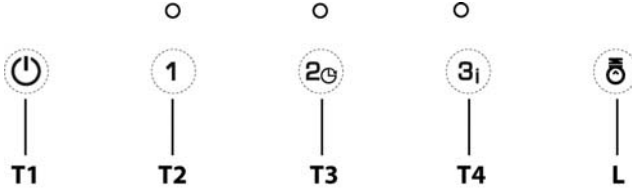
## ELEKTRİK BAĞLANTISI

- Davlumbazı, en az 3 mm kontak açılmalı çift kutuplu anahtarla Şebeke Beslemesine bağlayın.
- Yağlanmaya Karşı Filtreleri çıkartın (Bkz. “Bakım” bölümü) ve besleme Kablosunun konnektörünün (**A**) Aspiratöre doğru şekilde bağlandığından emin olun.
- Konnektörü **B** boş ucunu aspiratörün yan tarafına bağlayın.





# KULLANIM



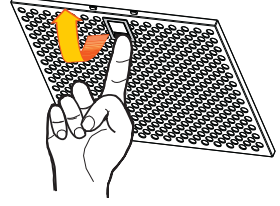
**Kumanda Tablosu**

Tuş	Led	Fonksiyon
T1	-	Motoru durdurur.
T2	Sabit	Birinci hızda motoru çalıştırır.
T3	Sabit	İkinci hızda motoru çalıştırır.
	Saniyede bir yanıp sönmeye ilgili Led'in hızını ayarlar.	2 saniye basılı tutulunca <b>Erteleme</b> fonksiyonu açılır veya kapanır. 30 dakika sonra otomatik kapanma özelliğini (Motor+Işıklar) etkinleştirir. Kalan kokuların giderilmesi için uygundur. Herhangi bir konumdan devreye alınabilen bu komut, <b>Yoğun</b> fonksiyonunu devre dışı bırakarak, motoru kapatmak veya düğmeye basarak sureti ile devre dışı bırakılır.
T4	Sabit	Üçüncü hızda motoru çalıştırır.
	İki saniyede bir yanıp söner.	<b>Yoğun</b> fonksiyonunu açar ve kapatır . Bu hız 6 dakikaya ayarlanmıştır. Süre bittiğinde, sistem daha önceden ayarlanmış hızda otomatik olarak tekrar döner. Tuşa basarak veya Motoru kapatılarak etkisizleştirilir. <b>Gecikme</b> fonksiyonu aktifken etkinleştirilemez.
L	-	Aydınlatma tesisatını maksimum yoğunlukta açar ve kapatır

## Yağ tutucu filtreler

### METALİK YAĞ TUTUCU FİLTRELERİN TEMİZLENMESİ

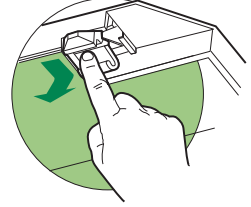
- Bu filtreler bulaşık makinasında da yıkanabilir ve normal kullanıldıklarında iki ayda bir, yoğun kullanım halinde ise daha sıkça yıkanmaları gereklidir.
- Filtreleri teker teker çıkarınız ve bunu yaparken kolu aşağı doğru çektiğiniz sırada diğer elinizle filtreleri tutunuz.
- Filtreleri yıkarken eğip katlamayınız, tekrar monte etmeden önce de kurutunuz.
- Monte ederken kulpun görünen dış tarafa doğru gelmesine dikkat ediniz.



## Koku Filtresi (Filtreli Model)

### AKTİF KARBONLU KOKU FİLTRESİNİN DEĞİŞTİRİLMESİ

- Yıkanabilir ya da rejenere edilebilir nitelikte değildir, normalde en az 4 ayda bir, yoğun kullanımda ise daha sıkça değiştirilir.
- Metalik Yağ Filtrelerini çıkarınız.
- Doymuş durumdaki Aktif Karbonlu Koku Filtresini kancalarını serbest bırakarak çıkarınız.
- Yeni filtreyi yuvasına takınız.
- Metalik Yağ Filtrelerini tekrar monte ediniz.



## Aydınlatma

- Değiştirmek için Teknik Servisle bağlantı kurun ("Edinmek için teknik servisle bağlantı kurun").

## INFORMACE O BEZPEČNOSTI

---

**i** Pro vlastní bezpečnost a za účelem řádného fungování přístroje prosíme, abyste si před jeho instalací a zprovozněním pozorně přečetli tuto příručku. Tuto příručku je třeba uchovávat stále spolu s přístrojem, a to i v případě, že přístroj bude poskytnut nebo prodán třetím osobám. Je důležité, aby se uživatelé seznámili s veškerými aspekty fungování a bezpečnosti přístroje.

**⚠** Připojení kabelů musí provést kompetentní technik.

- Výrobce není odpovědný za případné škody způsobené nesprávně provedenou instalací či nesprávným používáním přístroje.
- Minimální bezpečnostní vzdálenost mezi varnou plochou a odsávací digestoří je 650 mm (některé modely mohou být nainstalovány do nižší výšky; viz odstavec týkající se provozních rozměrů a instalace).
- Jestliže je v návodu k instalaci plynového sporáku uvedena větší vzdálenost než výše uvedená, je třeba to vzít v úvahu.
- Zkontrolujte, zda síťové napětí odpovídá hodnotám uvedeným na štítku uvnitř digestoře.
- Vypínací zařízení musí být nainstalována do pevného systému v souladu s předpisy o elektroinstalaci.
- U přístrojů třídy I zkontrolujte, zda je síť domácího napájení vhodně uzemněna.
- Připojte digestoř k dýmníku pomocí trubice o minimálním průměru 120 mm. Trasa výparů musí být co nejkratší.
- Musí být dodrženy všechny normy týkající se odvodu vzduchu.
- Nepřipojujte odsávací digestoř ke komínům, které odvádějí zplodiny ze spalování (např. kotle, komíny apod.).

- Pokud je digestoř používána v kombinaci s neelektrickými přístroji (např. plynovými), musí být v místnosti zaručeno dostatečné větrání, aby nemohlo dojít k návratu plynových zplodin. Jestliže je kuchyňská digestoř používána v kombinaci s přístroji, které nejsou napájeny elektrickým proudem, záporný tlak v místnosti nesmí být vyšší než 0,04 mbar, aby nemohlo dojít ke zpětnému nasávání výparů do místnosti, kde se nachází digestoř.
- Vzduch nesmí být odváděn přes potrubí používané pro odvod výparů ze spalovacích zařízení fungujících na plyn nebo na jiná paliva.
- Pokud je napájecí kabel poškozen, jeho výměnu může provádět pouze výrobce nebo jeho servisní technik.
- Připojte zástrčku do zásuvky odpovídající normám a ve snadno přístupné poloze.
- Při realizaci technických a bezpečnostních rozměrů pro odvod výparů je třeba pečlivě dodržovat předpisy stanovené místními orgány.


**⚠ UPOZORNĚNÍ:** Před instalací digestoře odstraňte ochranné fólie.


- Použijte pouze šrouby a spojovací materiál vhodného typu pro digestoř.

**⚠ UPOZORNĚNÍ:** Nebudou-li šrouby či upevňovací zařízení namontovány podle tohoto návodu, mohlo by vzniknout nebezpečí zasažení elektrickým proudem.

- Nepozorujte přímo optickými přístroji (dalekohledem, lupou...).
- Pod kuchyňskou digestoří nepřipravujte flambované pokrmky, je zde nebezpečí požáru.
- Tento přístroj může být používán dětmi ve věku nad 8 let a osobami se sníženými psycho-fyzickými-smyslovými nebo duševními schopnostmi nebo bez patřičných zkušeností a znalostí, pokud jsou pod pečlivým dohledem nebo byly seznámeny s pokyny k použití přístroje bezpečným způsobem a rozumí jeho rizikům. Zkontrolujte, zda si děti nehrají s přístrojem. Čištění a údržba, které mají být vykonávány uživatelem, nesmí být prováděny dětmi, pokud nejsou pod dohledem.
- Děti musí být pod dohledem, kontrolujte, aby si nehrály s přístrojem.

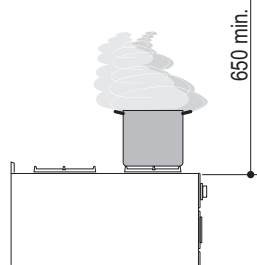
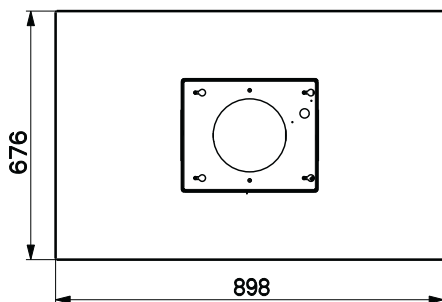
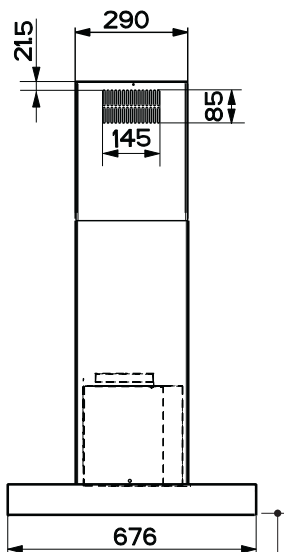
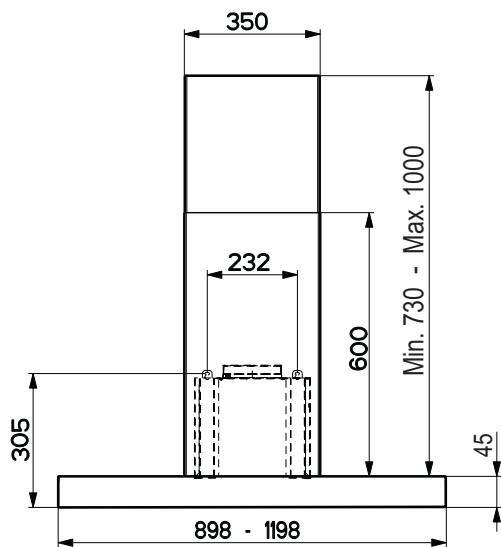
- Příklad nesmí být používán osobami (včetně dětí) se sníženými psychofyzicko-smyslovými schopnostmi nebo s nedostatečnými zkušenostmi či znalostmi, s výjimkou případů, kdy jsou pod dostatečným dohledem a byly dostatečně poučeny.

 Některé přístupné části mohou při používání varných přístrojů dosahovat vysokých teplot.

- Vyčistěte a/nebo vyměňte filtry po uvedené době (nebezpečí vznícení). Řiďte se odstavcem Údržba a čištění.
- Pokud je digestoř používána současně s plynovými přístroji nebo přístroji, které používají nějaké jiné palivo, v místnosti musí být vhodné větrání (neaplikuje se na přístroje, které pouze vypouštějí vzduch do místnosti).
- Symbol  na výrobku nebo na jeho obalu označuje, že výrobek nemůže být zlikvidován jako normální domácí odpad. Výrobek, který má být likvidován, musí být odevzdán do specializovaných sběrů pro recyklaci elektrických a elektronických komponentů. Tím, že se ujistíte o řádném provedení likvidace tohoto výrobku, přispějete k zabránění případného negativního dopadu na životní prostředí a na zdraví osob, který by mohla mít nesprávně provedená likvidace. Podrobnější informace o recyklaci tohoto výrobku získáte na obecním úřadě, v místním podniku pro sběr domácího odpadu nebo v obchodě, kde jste spotřebič zakoupili.

# HLAVNÍ PARAMETRY

## Prostorový rozměr

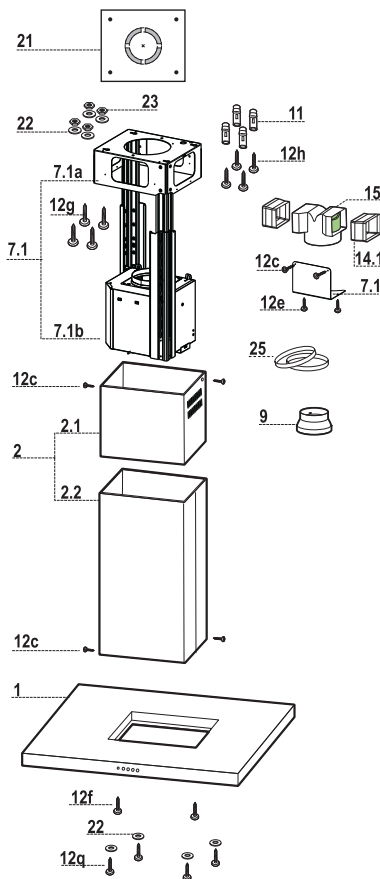


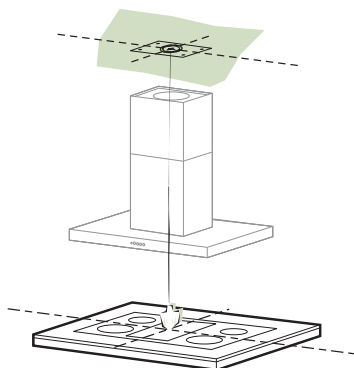
## Díly

Č.	Poč.	Díly spotřebiče
1	1	Tělo digestoře s: ovládáním, osvětlením, filtry
2	1	Teleskopický komín tvořený:
2.1	1	Horní komín
2.2	1	Dolní komín
7.1	1	Teleskopická kostra s odsávačem tvořená:
7.1a	1	Horní kostrou
7.1b	1	Dolní kostrou
9	1	Redukční příruba $\varnothing$ 150-120 mm
14.1	2	Nástavec přípojky výstupu vzduchu
15	1	Přípojka výstupu vzduchu
25		Stahovací pásky (nejsou součástí dodávky)

Č.	Poč.	Díly k instalaci
7.3	1	Přípeňovací konzola přípojky výstupu vzduchu
11	4	Hmoždinky $\varnothing$ 10
12c	6	Šrouby 2,9 x 6,5
12e	2	Šrouby 2,9 x 9,5
12f	2	Šrouby M4 x 80
12g	4	Šrouby M6 x 80
12h	4	Šrouby 5,2 x 70
12q	4	Šrouby 3,5 x 9,5
21	1	Šablona pro vyvrtávání
22	8	Podložky $\varnothing$ 6,4
23	4	Matice M6

Poč.	Dokumentace
1	Návod k použití





## Děrovací schéma strop/konzola a připevnění kostry

### DĚROVACÍ SCHÉMA STROP/KONZOLA

- Pomocí olověného drátu vyznačte na stropě/podpůrné konzole střed varné desky.
- Na strop/konzolu položte přiloženou vrtací šablonu **21** tak, aby její střed odpovídal vyznačenému středu a vyrovnajte osy šablony osy s osami varné desky.
- Vyznačte středy otvorů šablony.
- Vyvrtejte následující body:
  - Strop z masivního betonu: podle použitých hmoždinek pro beton.
  - Strop z dutých cihel s pevnou tloušťkou 20 mm: ř 10 mm (vložte hned přiložené hmoždinky **11** ).
  - Strop z trámů: podle použitých šroubů do dřeva.
  - Dřevěná konzola: ř 7 mm.
  - Průchod elektrického přívodního kabelu: ř 10 mm.
  - Výstup vzduchu (nasávací provedení): podle průměru připojení k trubce odvodu do venkovního prostoru.
- Zašroubujte dva šrouby zkřížením a ponechte 4-5 mm od stropu:
  - pro masivní beton, hmoždinky per beton, nejsou součástí vybavení.
  - pro duté cihly s pevnou tloušťkou asi 20 mm, šrouby **12h**, jsou součástí vybavení.
  - pro strop z trámů, šrouby do dřeva, nejsou součástí vybavení.
  - pro dřevěnou konzolu, šrouby **12g** s podložkami **22** a maticemi **23**, jsou součástí vybavení.



## Upevnění kostry

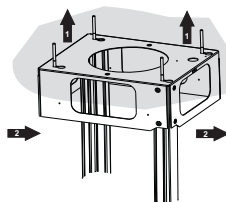
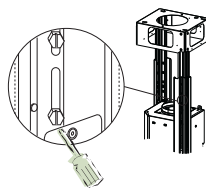
- Odšroubujte dva šrouby, které upevňují dolní komín a vytáhněte jej z kostry (ze spodní části).
- Odšroubujte dva šrouby, které upevňují horní komín a vytáhněte jej z kostry (z horní části).

V případě, že budete chtít seřídit výšku kostry, postupujte následujícím způsobem:

- Odšroubujte metrických šroubů, které spojují dva sloupy umístěné po stranách kostry;
- Seříďte požadovanou výšku kostry a znovu zašroubujte šroubů, které jste předtím odšroubovali;
- Zezhora nasad'te horní komín a ponechte jej volně na kostře;
- Zvedněte kostru, zapolehujte otvory na šrouby a nechte sklouznout až na doraz;
- Utáhněte dva šrouby a zašroubujte další dva, které jsou součástí vybavení;

Před konečným utažením šroubů je možné provádět seřízení posunováním kostry. Při této operaci je třeba dávat pozor, aby se šrouby nevysunuly ven z uložení seřizovacího otvoru.

- Upevnění kostry musí být provedeno bezpečně a s ohledem na hmotnost digestoře a na namáhání způsobené občasnými bočními nárazy namontovaného zařízení. Po upevnění zkontrolujte, zda je podstavec stabilní a zda je kostra namáhána v ohybu.
- V případě, že by strop v bodě zavěšení zařízení nebyl dostatečně pevný, instalační technik zajistí jeho zpevnění pomocí vhodných desek a protidesek, které ukotví na strukturálně pevné části.

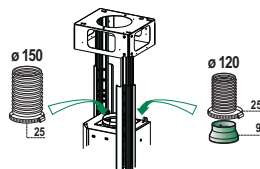


## Přípojky

### VÝSTUP VZDUCHU U NASÁVACÍHO PŘÍPOJENÍ

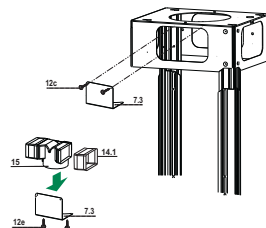
Při instalaci v nasávacím provedení připojte digestoř k výstupnímu potrubí prostřednictvím pevné nebo ohebné trubky  $\varnothing$  150 nebo 120 mm, kterou zvolí instalační technik.

- K instalaci trubky  $\varnothing$  120 mm je nutné použít redukční přírubu **9** na výstupu z tělesa digestoře.
- Trubku připevněte vhodnými stahovacími páskami. Tento materiál není součástí vybavení.
- Vyjměte případné uhlíkové filtry proti zápachu.



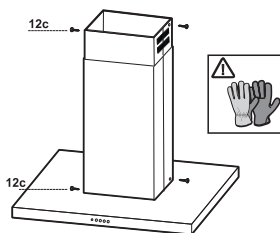
### Výstup vzduchu u filtračního provedení

- Na přípojku **15** nasadte boční nástavce přípojky **14.1**.
- Přípojku **15** nasadte do podpěrné konzoly **7.3** a upevněte ji šrouby.
- Pomocí šroubů upevněte podpěrnou konzolu **7.3** k horní části.
- Zkontrolujte, zda se výstupní otvor nástavců přípojky **14.1** kryje s otvory komínu, a to jak vodorovně tak svisle.
- Upevněte přípojku **15** na výstup z tělesa digestoře pomocí pevné či ohebné trubice o  $\varnothing$ 150 mm, kterou zvolí instalační technik.
- Zkontrolujte, zda je přítomen uhlíkový filtr proti zápachu.



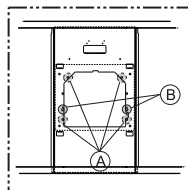
## Montáž komínu a upevnění tělesa digestoře

- Umístíte horní komín a připevníte jej horní částí ke kostře pomocí dvou šroubů **12c** (2,9 x 6,5), které jsou součástí vybavení.
- Obdobným způsobem umístíte dolní komín a připevníte jej dolní částí ke kostře pomocí dvou šroubů **12c** (2,9 x 6,5), které jsou součástí vybavení.



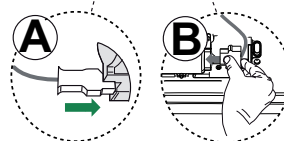
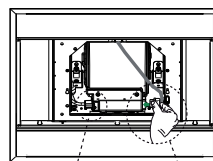
Před upevněním tělesa odsavače k mřížce:

- Zašroubovat napůl 2 šrouby **12f** na spodní část mřížky na boční straně do 2 připravených otvorů.
- Vyjmout filtry zachycující tuky z tělesa odsávání;
- Vyjmout případné filtry s aktivním uhlím, zachycující pachy.
- Zvednout těleso odsavače a zasunout šrouby **12f** na očné (obr.A) až na doraz.
- Upevnit ze spodní strany pomocí 4 šroubů **12q** a 4 podložek **22**, které jsou součástí dodávky, těleso odsavače na připravenou mřížku (obr.B) a definitivně utáhnout všechny šrouby.

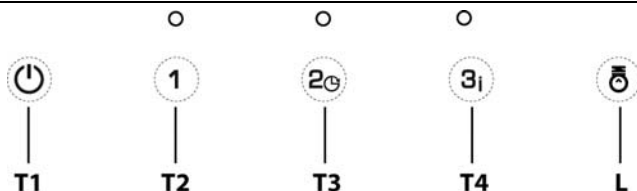


## ELEKTRICKÉ PŘIPOJENÍ

- Připojte digestoř k napájecí síti za použití dvoupólového vypínače s nejméně 3 mm vzdáleností mezi kontakty.
- Odstraňte tukové filtry (viz kap. “Údržba”) a zkontrolujte, zda je konektor napájecího kabelu (**A**) správně zapojen v zásuvce odsavače.
- Připojte konektor **B** do volné zásuvky na straně odsavače.



# POUŽITÍ



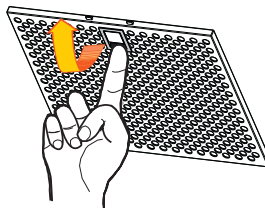
## Ovládací panel

Tlačítko	Led	Funkce
T1	-	Vypíná motor.
T2	Svítil stále	Spouští motor na jedničku.
T3	Svítil stále	Spouští motor na dvojku.
	Příslušný led nastavené rychlosti bliká jednou za sekundu.	Při podržení stisknutého tlačítka na 2 sekundy se zapíná a vypíná funkce <b>Delay</b> . Spouští automatické vypínání (Motor+ Světla) s časovým posunem o 30'. Vhodné pro odstranění zbylého zápachu. Tuto funkci lze aktivovat z jakékoliv polohy, je-li funkce <b>Intenzivní</b> deaktivována, stisknutím tlačítka nebo vypnutím motoru se tato funkce deaktivuje.
T4	Svítil stále	Spouští motor na trojku.
	Bliká dvakrát za sekundu.	Zapíná a vypíná funkci <b>Intenzivní</b> . Tato rychlost je časově omezena na 6 minut. Po uplynutí této doby se systém automaticky navrátí na rychlost, která byla předtím zvolena. Deaktivuje se stisknutím tlačítka nebo vypnutím motoru. Nelze ji spustit, je-li funkce <b>Delay</b> aktivní.
L	-	Zapíná a vypíná systém osvětlení o maximální intenzitě

## Tukové filtry

### ČIŠTĚNÍ KOVOVÝCH TUKOVÝCH SAMONOSNÝCH FILTRŮ

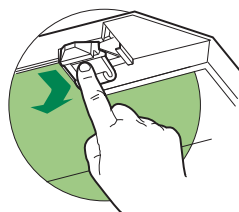
- Tyto filtry lze mýt i v myčce. Je třeba je mýt zhruba každé 2 měsíce používání, při obzvláště intenzivním používání i častěji.
- Vyjměte filtry jeden po druhém, při této operaci je jednou rukou přidržujte a druhou táhněte za páčku směrem dolů.
- Umyjte filtry a dávejte pozor, abyste je neohnuli. Před opětovným nasazením je nechte uschnout.
- Při opětovném nasazování filtrů udržujte držadlo směrem k viditelné vnější části.



### Filtr proti zápachu (filtrační provedení)

#### VÝMĚNA UHLÍKOVÉHO FILTRU PROTI ZÁPACHU

- Tento filtr nelze mýt ani regenerovat. Je třeba jej alespoň každé čtyři měsíce vyměňovat, při obzvláště intenzivním používání i častěji.
- Vytáhněte kovové tukové filtry.
- Uvolněním příslušných přípnutí odstraňte nasycený uhlíkový filtr proti zápachu.
- Namontujte nový filtr připnutím do příslušného uložení.
- Opět namontujte kovové tukové filtry.



### Světlení

- V případě výměny kontaktujte technický servis ("V případě nákupu kontaktujte technický servis").

## INFORMACJE DOTYCZĄCE BEZPIECZEŃSTWA

---

**i** Ze względów bezpieczeństwa oraz aby zagwarantować prawidłowe funkcjonowanie, przed przystąpieniem do instalacji i użytkowania urządzenia należy zapoznać się z treścią niniejszej publikacji. Instrukcję obsługi należy trzymać zawsze w pobliżu urządzenia oraz przekazać ją razem z urządzeniem osobom trzecim. Ważne jest, aby wszyscy użytkownicy znali sposób działania oraz zasady bezpieczeństwa produktu.

**⚠** Podłączenie przewodów powinno być wykonane przez wykwalifikowanego instalatora.

- Producent nie ponosi odpowiedzialności za ewentualne szkody spowodowane przez nieprawidłową instalację lub użytkowanie.
- Minimalna bezpieczna odległość od powierzchni gotowania do krawędzi okapu powinna wynosić co najmniej 650 mm (niektóre modele mogą zostać zainstalowane niżej; patrz odpowiedni rozdział zawierający wymiary robocze i montażowe).
- Jeśli instrukcja instalacji kuchenki gazowej wskazuje na potrzebę zastosowania większej odległości niż podana powyżej, należy to wziąć pod uwagę.
- Sprawdzić, czy napięcie w sieci elektrycznej odpowiada danym umieszczonym na tabliczce znamionowej znajdującej się wewnątrz okapu.
- Urządzenia przełączające muszą być zainstalowane w instalacji stałej zgodnie z obowiązującymi przepisami dotyczącymi okablowania.
- W przypadku urządzeń klasy I należy sprawdzić, czy sieć elektryczna wyposażona jest w odpowiednie uziemienie.
- Podłączyć okap do komina dymnego przy pomocy rury o średnicy minimum 120 mm. Droga, którą pokonuje para/dym powinna być możliwie najkrótsza.
- Należy przestrzegać wszystkich norm dotyczących odprowadzania powietrza.
- Nie podłączać okapu do przewodów odprowadzających spaliny (np. z kotłów, kominków itp.).


- Jeżeli okap używany jest w połączeniu z kuchenkami niefektrycznymi (np. gazowymi), należy zagwarantować odpowiedni poziom wentylacji lokalu tak, aby zapobiec powrotowi spalin z komina. Jeżeli okap używany jest w połączeniu z kuchenkami niefektrycznymi, podciśnienie w pomieszczeniu nie może przekraczać 0,04 mbar tak, aby zapobiec powrotowi spalin.
- Powietrze nie może być przesyłane do przewodu kominowego wykorzystywanego do usuwania spalin urządzeń zasilanych gazem lub innymi materiałami palnymi.
- Jeżeli kabel zasilający ulegnie uszkodzeniu, musi on zostać wymieniony przez producenta lub jego serwisanta.
- Wtyczkę należy podłączyć do gniazdka odpowiedniego typu zgodnie z obowiązującymi normami oraz w miejscu łatwo dostępnym.
- W odniesieniu do kwestii technicznych oraz bezpieczeństwa należy ściśle przestrzegać obowiązujących przepisów dotyczących odprowadzania spalin, ustanowionych przez władze lokalne.

**⚠ OSTRZEŻENIE:** przed przystąpieniem do instalacji okapu należy zdjąć folie ochronną.

- Używać wyłącznie śrub oraz osprzętu typu odpowiedniego dla danego okapu.

**⚠ OSTRZEŻENIE:** brak śrub lub elementu osprzętu zgodnych z instrukcją może być przyczyną porażenia prądem.

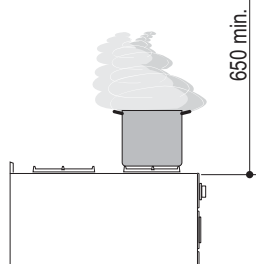
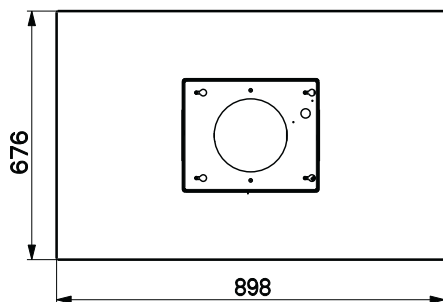
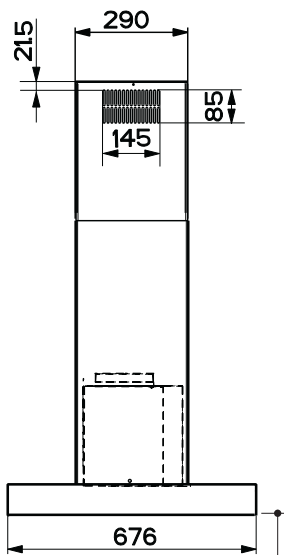
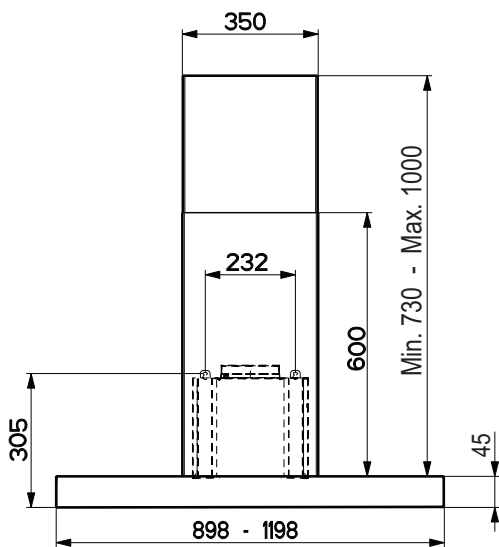
- Nie należy na nią patrzeć za pomocą narzędzi optycznych (lornetka, szkło powiększające...).
- Nie zapalać potraw pod okapem: może to być przyczyną pożaru.
- Niniejsze urządzenie może być używane przez dzieci w wieku poniżej 8 lat oraz osoby o ograniczonych zdolnościach psychicznych, fizycznych i zmysłowych lub o niedostatecznym doświadczeniu i wiedzy na temat jego działania, powinni oni zostać jednak poinstruowani oraz skontrolowani w kwestii obsługi urządzenia przez osoby odpowiedzialne za ich bezpieczeństwo. Należy pilnować, aby dzieci nie bawiły się urządzeniem. Czyszczenie i konserwacja urządzenia nie powinny być wykonywane przez dzieci, chyba że są one nadzorowane.
- Dzieci nie należy zostawiać bez nadzoru i nie należy im zezwalać na zabawę urządzeniem.

- Urządzenie nie może być użytkowane przez osoby (i dzieci) o ograniczonych zdolnościach psychicznych, fizycznych i zmysłowych lub o niedostatecznym doświadczeniu i wiedzy, o ile nie są one nadzorowane oraz instruowane.
- ⚠ Części zewnętrzne mogą stać się bardzo gorące, jeżeli używane są razem z urządzeniami przeznaczonymi do gotowania.
- Umyć i/lub wymienić filtry po określonym czasie (zagrożenie pożarowe). Patrz rozdział Czyszczenie i konserwacja.
- Jeżeli okap używany jest jednocześnie z urządzeniami spalającymi gaz lub inne paliwa, w pomieszczeniu należy zapewnić odpowiednią wentylację (nie dotyczy urządzeń, które jedynie pobierają powietrze z pomieszczenia).
- Symbol  znajdujący się na urządzeniu lub na jego opakowaniu oznacza, że nie wolno danego urządzenia wyrzucać razem ze zwykłymi odpadami domowymi. Zużyty produkt należy przekazać do centrum zbiórki odpadów, specjalizującego się w recyklingu komponentów elektrycznych i elektronicznych. Likwidując produkt w sposób właściwy, przyczyniasz się do zapobiegania ewentualnym ujemnym wpływom na środowisko naturalne oraz na zdrowie ludzi, które mogłyby powstać w wyniku niewłaściwej likwidacji. Szczegółowe informacje na temat recyklingu tego produktu można uzyskać w urzędzie miasta/ gminy, lokalnych instytucjach zajmujących się likwidacją odpadów lub w sklepie, w którym produkt został zakupiony.



# WŁAŚCIWOŚCI TECHNICZNE

## Wymiary

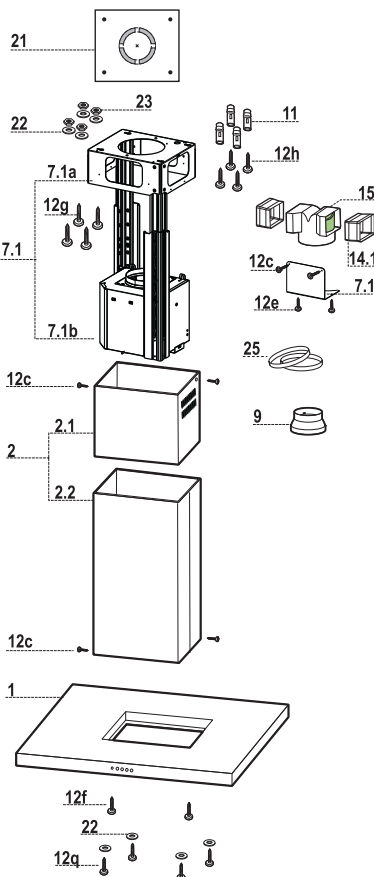


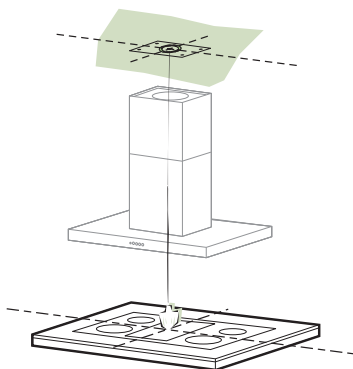
## Części składowe

Odn.	Il.	Elementy urządzenia
1	1	Korpus okapu z: przyciskami sterowania, oświetleniem, filtrami
2	1	Komin teleskopowy składający się z:
2.1	1	Komin górny
2.2	1	Komin dolny
7.1	1	Rama teleskopowa wraz z wyciągiem, złożona z:
7.1a	1	Ramy górnej
7.1b	1	Ramy dolnej
9	1	Kolnierz redukcyjny $\varnothing$ 150-120 mm
14.1	2	Wydłużonego złącza wylotu powietrza
15	1	Złącza wylotu powietrza
25		Opaski rur (nie dołączone)

Odn.	Il.	Elementy montażowe
7.3	1	Element do mocowania łącznika wylotu powietrza
11	4	Wkręty $\varnothing$ 10
12c	6	Śruby 2,9 x 6,5
12e	2	Śruby 2,9 x 9,5
12f	2	Śruby M4 x 80
12g	4	Śruby M6 x 80
12h	4	Śruby 5,2 x 70
12q	4	Śruby 3,5 x 9,5
21	1	Szablony wiercenia
22	8	Podkładki $\varnothing$ 6,4
23	4	Nakrętki M6

Il.	Dokumentacja
1	Instrukcja





## Wiercenie w suficie/półce, montaż ramy

### WIERCENIE W SUFICIE/PÓŁCE

- Oznaczyć na suficie lub półce środek płyty kuchennej, przy użyciu pionu.
- Umieścić szablonu **21** na suficie lub półce, upewniając się, czy znajduje się on we właściwej pozycji – czy osie szablonu pokrywają się z osiami płyty kuchennej.
- Oznaczyć środki otworów zgodnie z szablonem.
- Wywiercić otwory w oznaczonych punktach:
  - W wypadku sufitu betonowego, wywiercić otwory o średnicy odpowiedniej dla kołków, właściwych dla załączonych wkrętów.
  - W wypadku sufitów z pustaków o grubości ścianki 20mm: wywiercić otwory  $\varnothing$  10 mm (natychmiast umieścić w nich załączone kołki **11**).
  - W wypadku sufitów z belek drewnianych należy wywiercić otwory stosowne do używanych wkrętów montażowych.
  - W wypadku montażu do półki drewnianej, wywiercić otwory  $\varnothing$  7 mm.
  - Wywiercić otwór  $\varnothing$  10 mm, konieczny do przeprowadzenia przewodu sieciowego.
  - W przypadku pracy w obiegu otwartym, wykonać otwór odpowiedni dla średnicy przewodu kominowego.
- Umieścić w otworach, po przekątnej, dwa odpowiednie wkręty dokręcając tak, aby pozostało około 4-5 mm przerwy od sufitu:
  - W wypadku sufitu betonowego, użyć kołków (nie wchodzi w skład zestawu), właściwych dla wkrętów.
  - W wypadku sufitów z pustaków o grubości ścianki 20mm, użyć wkrętów **12h**, w zestawie.
  - W wypadku sufitów z belek drewnianych użyć 4 wkrętów do drewna (nie wchodzi w skład zestawu).
  - W wypadku montażu do półki drewnianej, użyć 4 śrub **12g** z podkładkami **22** i nakrętkami **23**, w zestawie.

## MONTAŻ RAMY

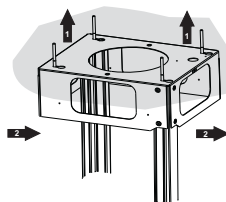
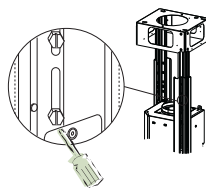
- Odkręcić dwie śruby znajdujące się w dolnej osłonie komina i wymontować ją z dolnej części ramy.
- Odkręcić dwie śruby znajdujące się w górnej osłonie komina i wymontować ją z górnej części ramy.

Jeżeli konieczna jest regulacja wysokości ramy należy postępować zgodnie z poniższymi wskazówkami:

- Odkręcić śrub metrycznych łączących dwie kolumny, znajdujące się po bokach ramy.
- Wyregulować odpowiednio wysokość ramy, następnie wkręcić wszystkie śruby, opisane powyżej.
- Założyć górną osłonę komina i pozostawić ją luźno na ramie.
- Unieść ramę, wsunąć otwory mocujące na śruby i przesunąć w kierunku blokowania.
- Dokręcić dwa wkręty i zamontować kolejne dwa, znajdujące się w zestawie.

Przed dokręceniem wkrętów, możliwa jest regulacja położenia ramy, należy jednak uważać, aby nie wysunęły się one z otworów regulacyjnych.

- Rama musi być zamontowana stabilnie ze względu na znaczną masę urządzenia, jak również sporadyczne przypadki wywierania nacisku osiowego na zamontowany okap. Po zamontowaniu należy upewnić się, czy podstawa jest stabilna nawet wtedy, gdy rama jest poddawana siłom poprzecznym.
- Jeżeli sufit w miejscu montażu nie jest dostatecznie wytrzymały, należy wzmocnić go przy użyciu odpowiednich elementów, mocowanych do struktur nośnych.

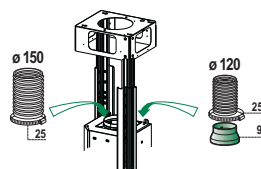


## Podłączenia

### SYSTEM WENTYLACJI W TRYBIE CYRKULACJI ZEWNĘTRZNEJ

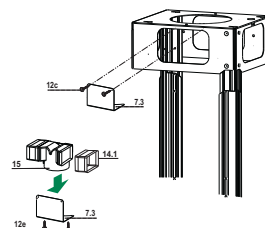
W przypadku montażu w wersji z odprowadzeniem powietrza na zewnątrz należy podłączyć okap do komina za pomocą giętkiej lub sztywnej rury o średnicy 150 lub 120 mm. Wybór opcji należy do montażysty.

- W celu zamontowania wylotu o średnicy 120 mm należy założyć kołnierz redukujący **9** na wylot powietrza znajdujący się w korpusie okapu.
- Zamocować rurę za pomocą odpowiednich klamer zaciskowych do rur (nie znajdują się w zestawie).
- Usunąć filtry węglowe (jeżeli są zamontowane).



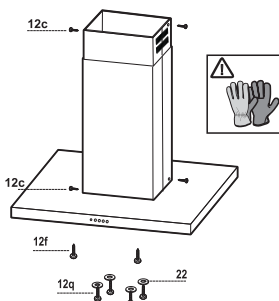
### Wylot powietrza - Wersja Z Filtrem

- Włożyć w poprzek przedłużenie złącza **14.1** na złącze **15**.
- Włożyć złączkę **15** do elementu podtrzymującego **7.3** i przykręcić ją przy pomocy śrub.
- Przymocować element podtrzymujący **7.3** przy pomocy śrub w części górnej.
- Upewnić się, że wyjście przedłużenia złącza **14.1** jest odpowiednio ustawione w pionie oraz w poziomie w stosunku do otworu komina.
- Połączyć złącze **15** z wylotem obudowy okapu przy pomocy rury sztywnej lub giętkiej  $\varnothing$  150 mm, wyboru dokonuje instalator.
- Upewnić się czy są założony jest węglowy filtr anty-zapachowy.



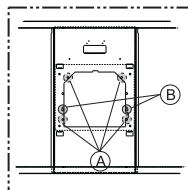
## Montaż osłony kominu i korpusu okapu

- Założyć górną część osłony przewodu kominowego i zamontować do ramy przy użyciu dwóch wkrętów **12c** (2,9 x 6,5, w zestawie).
- Analogicznie, założyć dolną część osłony przewodu kominowego i zamontować do ramy przy użyciu dwóch wkrętów **12c** (2,9 x 6,5, w zestawie).



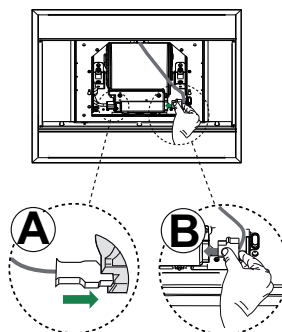
Przed zamocowaniem korpusu okapu do ramy:

- Wkręcić do połowy 2 śruby **12f** w dolnej części ramy, w pozycji poprzecznej w stosunku do 2 przygotowanych otworów.
- Wyjąć filtry przeciw-tłuszczowe z korpusu okapu;
- Wyjąć ewentualne węglowe filtry antyzapachowe.
- Podnieść korpus okapu i włożyć śruby **12f** do otworów (odn. **A**) aż do mocowania.
- Zamocować przygotowaną ramę od spodu przy pomocy znajdujących się na wyposażeniu korpusu okapu 4 śrub **12q** oraz 4 podkładek **22** (odn. **B**) następnie ostatecznie dokręcić wszystkie śruby.

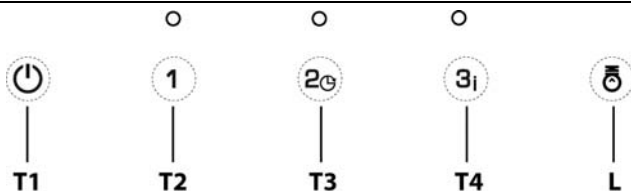


## PODŁĄCZENIE ELEKTRYCZNE

- Przyłączyć okap do sieci zasilającej, montując wyłącznik dwubiegunowy o otwarciu styków przynajmniej 3 mm.
- Wyjąć filtry przeciw-tłuszczowe (patrz rozdz. „Konserwacja”) i upewnić się, czy złącze kabla zasilania (**A**) jest właściwie włożone w gniazdo wyciągu.
- Podłączyć złącze **B** do gniazdka, które pozostało wolne z boku wyciągu.



# UŻYTKOWANIE



## Panel sterowania

Przycisk	Dioda	Funkcja
T1	-	Wyłączenie silnika.
T2	Stała	Uruchomienie silnika z pierwszą prędkością.
T3	Stała	Uruchomienie silnika z drugą prędkością.
	Dioda odpowiadająca ustawionej prędkości miga raz na sekundę	Przytrzymanie przez 2 sekundy powoduje włączenie lub wyłączenie funkcji opóźnienia Delay. Aktywacja wyłączenia opóźnionego (silnik + oświetlenie) o 30 minut. Służy do eliminacji pozostałych zapachów. Dostępna z dowolnej pozycji z wyłączoną funkcją Intensywną. Dezaktywacja następuje przez naciśnięcie przycisku lub wyłączenie silnika.
T4	Stała	Uruchomienie silnika z trzecią prędkością.
	Miga dwa razy na sekundę	Włączanie i wyłączenie funkcji Intensywnej. Czas trwania tej prędkości ograniczony jest do 6 minut. Po zakończeniu tego czasu system automatycznie powraca do wcześniej ustawionej prędkości. Funkcję dezaktywuje się przez naciśnięcie przycisku lub przez wyłączenie silnika. Nie można aktywować z włączoną funkcją opóźnienia Delay.
L	-	Włączanie i wyłączenie oświetlenia z maksymalną intensywnością

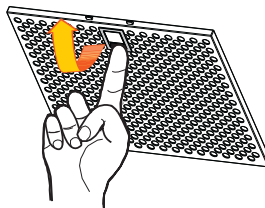
# KONSERWACJA

---

## Filtry tłuszczowe

### CZYSZCZENIE SAMONOŚNYCH METALOWYCH FILTRÓW TŁUSZCZOWYCH

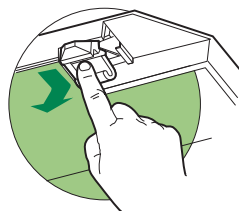
- Filtry należy czyścić co 2 miesiące użytkowania, bądź częściej w przypadku intensywnego używania. Możliwe jest czyszczenie ich w zmywarce.
- Należy zdejmować filtry po kolei, jednocześnie podtrzymując je jedną ręką, ciągnąc uchwyt w dół, drugą.
- Unikać zaginania filtrów podczas mycia. Przed ponownym montażem wewnątrz okapu, upewnić się, czy są całkowicie suche.
- Wkładając filtry z powrotem do okapu należy zwrócić uwagę, aby zostały poprawnie zamontowane uchwytem do zewnątrz.



## Filtr węglowy (tryb recykulacji)

### WYMIANA FILTRA WĘGLOWEGO

- Tego filtra nie można myć ani regenerować. Należy go wymieniać mniej więcej co 4 miesiące użytkowania lub częściej w przypadku intensywnego używania.
- Wyjąć metalowe filtry tłuszczowe.
- Wyjąć nasycony filtr węglowy poprzez zwolnienie blokad.
- Włożyć nowy filtr i zamontować w odpowiednim położeniu.
- Zamontować ponownie metalowe filtry tłuszczowe.



## Oświetlenie

- W celu wymiany diody należy skontaktować się z technicznym działem Obsługi Klienta („W celu nabycia diody należy skontaktować się z technicznym działem Obsługi Klienta”).



❶ اقرأ هذا الدليل بعناية قبل التركيب والاستخدام حرصاً على سلامتك ومن أجل التشغيل الصحيح للجهاز. احتفظ دائماً بهذه التعليمات مع الجهاز حتى عند نقله أو بيعه. يجب على المستخدم أن يعرف بالكامل مميزات التشغيل والسلامة لهذا الجهاز.

⚠ يجب توصيل الأسلاك بواسطة فني متخصص.


- المصنع ليس مسؤولاً عن الأضرار الناتجة عن سوء التركيب أو سوء استعمال الجهاز.
- المسافة في الحد الأدنى للسلامة بين سطح الطبخ والمدخنة يجب أن تكون 650 مم، (بعض الموديلات يمكن تركيبها على ارتفاع أقل، يرجى الرجوع الى فقرات الأحجام والتركيب).
- إذا كان لتعليمات التثبيت لفرن الغاز تشير إلى الحاجة لمسافة أكبر من المشار إليها أعلاه، يجب أن تأخذ ذلك في الحسبان.
- تأكد من أن التيار الكهربائي مطابق لما هو مشار إليه في اللوحة الموجودة داخل المدخنة.
- يجب تركيب أجهزة الفصل في النظام الثابت بما يتوافق مع لوائح أنظمة توصيل الأسلاك.
- بالنسبة للأجهزة من الفئة I، تحقق من أن شبكة تغذية الطاقة المنزلية تمتلك توصيل أرضي مناسب.
- قم بتوصيل المدخنة بماسورة تفرغ الدخان بحيث يكون قطرها 120 مم. ينبغي أن يكون مسار الماسورة قصيراً قدر الامكان.
- يجب احترام جميع القوانين السارية الخاصة بالتخلص من الهواء الفاسد. لا توصل المدخنة الشاقطة بمواسير تحمل أدخنة احتراق (على سبيل المثال من الغلايات والمداخن وما إلى ذلك)

- إذا تم استخدام المدخنة مع الأجهزة غير الكهربائية (مثل أجهزة الغاز) ، يجب ضمان درجة كافية من التهوية في الغرفة لمنع عودة تدفق غاز العادم. عند استخدام المدخنة مع الأجهزة التي تعمل بالطاقة بدلاً من الكهرباء، فإن الضغط السلبي في المكان يجب ألا يتجاوز 0,04 ميلي بار لمنع رجوع الأدخنة مجدداً إلى المكان بواسطة المدخنة. لا يجب إخلاء الهواء من خلال ماسورة أو قناة تُستخدم لتصريف الأبخرة من جهاز احتراق يعمل بالغاز أو بأنواع الوقود الأخرى.
- يجب استبدال سلك الطاقة عن طريق المصنع أو فني الخدمة، في حال تلفه.
- قم بتوصيل القابس بمنفذ يتوافق مع اللوائح المعمول بها ويكون في وضع يسهل الوصول إليه.
- فيما يتعلق بالتدابير التقنية والسلامة الواجب اتخاذها لتصريف الأدخنة، من الضروري اتباع القواعد التي وضعتها السلطات المحلية بدقة.
- **⚠ تحذير:** قبل القيام بتركيب المدخنة، قم بإزالة رقاقة الحماية.
- قم باستخدام البراغي والأدوات التي تتوافق مع الجهاز فقط.
- **⚠ تحذير:** الفشل في تركيب البراغي أو تثبيت الجهاز وفقاً لهذه التعليمات قد ينجم عنه مخاطر كهربائية.
- لا تنظر إليها مباشرة بواسطة الأجهزة البصرية (مناظير، عدسة مكبرة...).
- لا تطبخ الطعام الذي ينتج لهب مرتفع مثل الفلامبيه تحت المدخنة: قد يسبب ذلك حريق.
- يمكن استخدام هذا الجهاز من قبل الأطفال بعمر 8 سنوات أو أقل ومن قبل الأشخاص ذوي القدرات الحسية النفسية الجسدية الأقل أو مع الخبرة والمعرفة غير الكافية ، بشرط أن يتم الإشراف عليهم وإرشادهم بعناية حول كيفية استخدام الجهاز بأمان وعلى الأخطار التي تنطوي على استخدامه. لا يجوز أن يلعب الأطفال بالجهاز. يُسمح للأطفال بتنظيف الجهاز وصيانته بشرط الإشراف عليهم.
- يجب الإشراف على الأطفال ومنعهم من العبث بالجهاز.

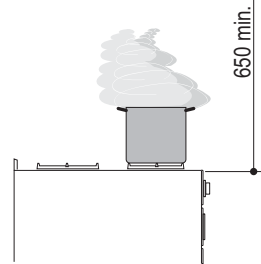
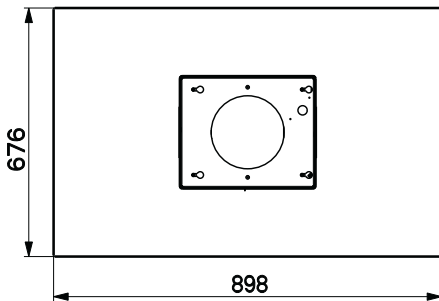
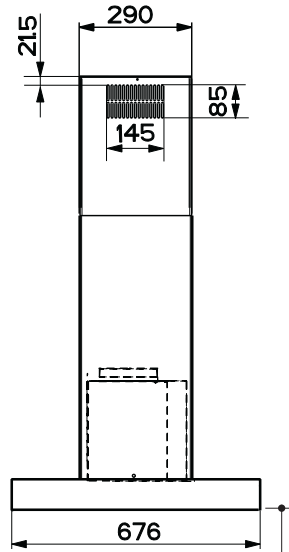
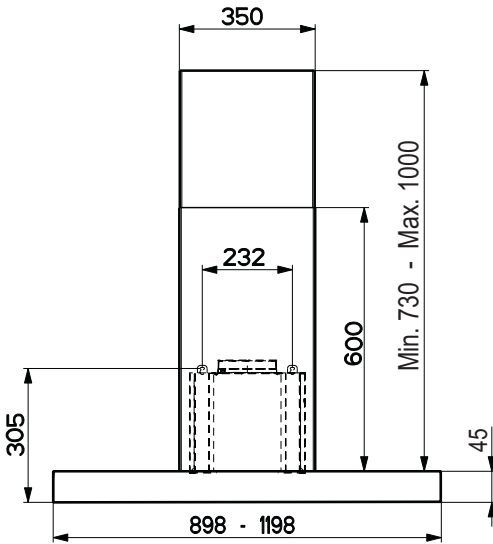
• يجب ألا يستخدم الجهاز الأشخاص (بما في ذلك الأطفال) الذين لديهم قدرات نفسية-حسية منخفضة أو مع خبرة ومعرفة غير كافية، ما لم يتم الإشراف عليهم وإرشادهم بعناية.

⚠ المناطق المكشوفة والتي يمكن الوصول إليها عند استعمال جهاز الطبخ قد تكون شديدة الحرارة.

قم بتنظيف و/أو استبدال الفلاتر بعد الفترة الزمنية المحددة انظر فقرة الصيانة والتنظيف. يجب أن يكون هناك تهوية كافية في الغرفة عند استخدام المدخنة في نفس الوقت الذي تستخدم فيه الأجهزة التي تستخدم الغاز أو أنواع الوقود الأخرى (لا تنطبق على الأجهزة التي تقوم بتفريغ الهواء داخل الغرفة فقط).

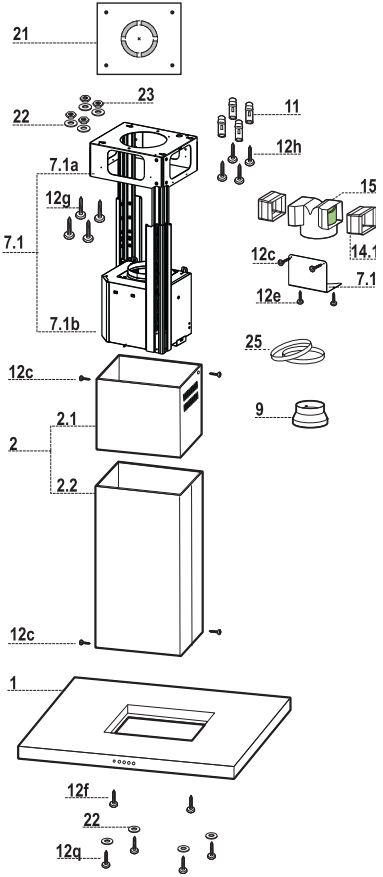
• يشير الرمز  على المنتج أو على العبوة إلى عدم التخلص من المنتج كنفائات منزلية عادية. بل يجب تسليمه إلى نقطة جمع نفائات متخصصة في إعادة تدوير المعدات الكهربائية والإلكترونية. عند التأكد من التخلص من هذا المنتج بطريقة صحيحة، فأنت تساعد بذلك في منع حدوث عواقب سلبية على البيئة والصحة البشرية، والتي قد تقع بالفعل بسبب التعامل غير السليم مع المنتج كنفائات. لمزيد من المعلومات عن إعادة تدوير هذا المنتج، يُرجى الاتصال على مكتب المدينة المحلي، أو خدمة التخلص من النفائات المنزلي، أو المتجر الذي اشتريته منه هذا المنتج.

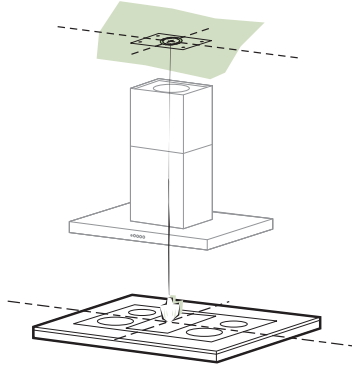
الأبعاد القياسية



## مكونات

مرجع.	الكمية	مكونات المنتج
1	1	هيكل المدخنة كامل مع: التحكم، المصاييح، المرشحات
2	1	عمود مدخنة تليسكوبي مؤلف من:
2.1	1	عمود مدخنة علوي
2.2	1	عمود مدخنة أسفل
7.1	1	برج تليسكوبي كامل مع شفاط بأحجام من :
7.1a	1	برج علوي
7.1b	1	برج أسفل
9	1	حافة تخفيف بقطر $\varnothing$ 120-150 مم
14.1	2	وصلة تمديد لمخرج الهواء
15	1	وصلة مخرج الهواء
25	1	وصلة ربط لإحكام الأنبوب (ليست مزودة)
مرجع.	الكمية	مكونات التركيب
7.3	1	كتيفات تثبيت مخرج الهواء
11	4	أوتاد بقطر $\varnothing$ 10
12c	6	براغي $2.9 \times 6.5$
12e	2	براغي $2.9 \times 9.5$
12f	2	براغي $M4 \times 80$
12g	4	براغي $M6 \times 80$
12h	4	براغي $5.2 \times 70$
12q	4	براغي $3.5 \times 9.5$
21	1	ضبان لعمل الثقب
22	8	أوتاد بقطر $\varnothing$ 6.4
23	4	صامولات M6
كمية	مستندات	
1	كتيب تعليمات	





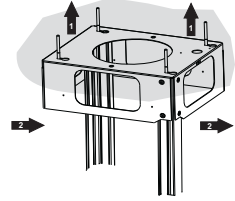
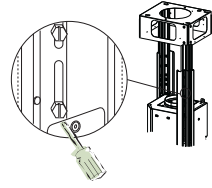
ثقب السقف / الرف و تركيب غطاء الشفاط

#### ثقب السقف او الرف

- استخدم قلم التحديد لتحديد منتصف مان تركيب الشفاط علي السقف او الرف .
- ضع نموذج الثقب (21) علي السقف او الرف وتأكد ان النموذج في الوضع الصحيح من خلال التأكد من ان ثقب النموذج تتطابق مع الثقب الموجودة مكان تركيب الشفاط علي السقف او الرف .
- قم بتحديد مكان فتحات النموذج .
- انقب مكان ثقب تركيب الشفاط علي السقف او الرف و التي سبق تحديدها :-
- السقف الاسمنتي : يجب ثقب فتحات مناسبة لمقاس مسامير التركيب .
- يبلغ سمك فتحات السقف 20 مم لذا يجب ثقب فتحات قطر (10مم) "يرجي ادخال طباط الحائط (11)".
- السقف الخشبي يتم الثقب حسب طول المسامير المستخدم في عملية التركيب .
- الرف الخشبي: يتم ثقب فتحات بقطر "7مم" .
- بالنسبة لسلك وحدة الكهرباء انقب فتحات بقطر "10مم" .
- مخرج الهواء ( نظام الطرد الخارجي ) يتم الثقب حسب قطر وصلة المخرج .
- ادخل المسامير من النوع التالي قم بالربط تاركا مسافة ( 4-5 مم) من السقف :-
- للسقف الاسمنتي استخدم طباط مناسبة لمقاس المسامير .
- للسقف المعلق مع حائط سمكه (20مم) استخدم مسامير (H12) .
- لالسقف الخشبية المعلقة استخدم 4 مسامير خشب .
- للرف الخشبي استخدم 4 مسامير (G12) مع طباط 22 وماسك 23 .

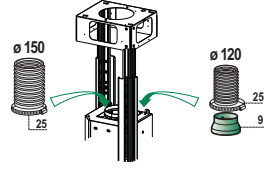
## تركيب اطار الشفاط

- قم بفك مسماري تثبيت المدخنة السفلية ثم انزعها من الاطار السفلي
- قم بفك مسماري تثبيت المدخنة العلوية ثم انزعها من الاطار العلوي
- اذا كنت ترغب في تعديل ارتفاع الاطار اتبع الاتي :
- قم بفك المسامير التي تربط بين العمودين والتي توجد في جانبي الاطار
- قم بتعديل ارتفاع الاطار ثم اعد تركيب المسامير التي سبق نزعها
- ادخل المدخنة العلوية من اعلي مع تركها حرة علي الاطار
- ارفع الاطار ثم قم بربط مسامير في فتحات الاطار
- قم بربط مسمارين مع ترك المسامير الاخرين الموجودين مع الشفاط
- قبل الانتهاء من ربط المسامير يمكن تعديل الاطار عن طريق تحويل الاطار وتاكيد من عدم بروز المسامير من مكانها .
- يجب التاكيد من تعليق الاطار بشكل جيد وذلك لضمان لمقاومة وزن الشفاط واي ضغط قد يحدث بشكل عارض و عند الانتهاء تاكد من ثبات القاعدة في حالة حدوث انحناء للاطار
- \* اذا كان السقف غير قوي بالدرجة الكافية يجب علي فني التركيب تقوية السقف باستخدام دعائم مناسبة



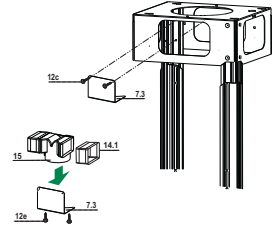
## التوصيلات نظام الطرد من خلال أنبوب

- عند تركيب مدخنة الطرد قم بتوصيل الشفط بالمدخنة باستخدام ماسورة صلبو او مرنة ( بقطر = 120-150مم ) الاختيار متروك لفني التركيب .
- لتركيب وصلة الطرد الخاصة لعادم الهواء ( بقطر = 120مم ) ادخل الحافة السفلية (9) علي مخرج جسم الشفط .
- قم بتركيب الماسورة في المكان المخصص باستخدام مثابك تثبيت الماسورة
- يجب نزع اي فلتر كربون موجود داخل الشفط .



## مخرج الهواء طراز ذو الفلاتر

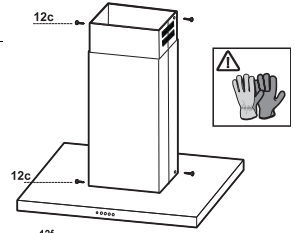
- أدخل وصلة التمديد جانبياً 14.1 في الوصلة 15.
- أدخل الوصلة 15 في ركاب الدعامة 7.3 تثبت بواسطة البراغي.
- ثبت ركاب الدعامة 7.3 يجب التثبيت بواسطة البراغي في الجزء العلوي.
- تأكد من أن وصلة التمديد 14.1 تتطابق مع فتحة أنبوب المدخنة سواء أفقياً أو عمودياً.
- قم بربط الوصلة 15 بمخرج جسم المدخنة بواسطة أنبوب صلب أو مطاوع بقطر 150 مم ويترك الأمر لاختيار من يقوم بالتركيب.
- تأكد من وجود الفلاتر الكربونية النشطة المضادة للروائح.





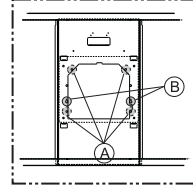
## تركيب عمود المدخنة و تثبيت هيكل المدخنة

- قم بوضع عمود المدخنة العلوي وثبته في الجزء الأعلى من البرج بواسطة 2 برغيين 12c (2.9 x 6.5) مزودين مع الجهاز.
- ونفس الشيء قم بوضع عمود المدخنة الأسفل وثبته في الجزء الأسفل من البرج بواسطة 2 برغيين 12c (2.9 x 6.5) مزودين مع الجهاز.



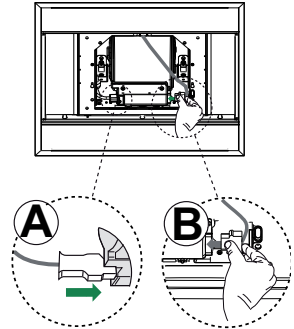
قبل القيام بتثبيت هيكل المدخنة بالبرج:

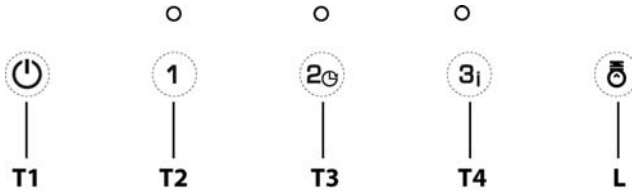
- قم بتركيب البرغيين لمنتصف المسافة 12f على الجزء الأسفل من البرج في وضع جانبي بما يتوازي من الثقبين المجهزين مسبقاً.
- أزل الفلاتر المضادة للشحوم من هيكل المدخنة؛
- قم بإزالة فلتر الكربون النشط مضاد للروائح.
- إرفع هيكل المدخنة ثم احشر البراغي 12f فوق الانشوطات (مرجع A) حتى النهاية.
- ثبت من الأسفل (الأربع 4 براغي 12q مع 4 عزقات 22 مزودة) هيكل المدخنة مع البرج المجهز (مرجع B) ثم قم بعد ذلك بتثبيت جميع البراغي.



## التوصيل الكهربائي

- قم بتوصيل المدخنة بشبكة التيار الكهربائي بواسطة مفتاح توصيل ثنائي الأقطاب بفتحة تماس لا تقل عن 3 مم.
- قم بإزالة الفلاتر المضادة للشحوم (انظر فقرة "الصيانة") وتأكد من ان توصيل كابل تغذية التيار (A) مركب بطريقة صحيحة في قابس الشفط.
- قم بربط الموصل B بالمقيس الذي لا يزال فارغاً بجهة الشاغط.





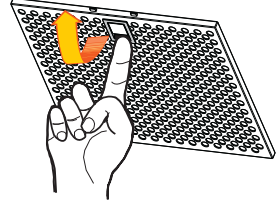
## لوحة التحكم

زر	ضوء الديود	الوظيفة
T1	-	يطفى الموتور
T2	ثابت	يشعل الموتور على السرعة الأولى.
T3	ثابت	يشعل الموتور على السرعة الثانية.
	ضوء الديود المطابق يومض مرة واحدة في كل ثانية حسب السرعة المبرمجة.	بالضغط المستمر على لمدة 2 ثانية يطفى ويشعل وظيفة التأخير Delay. ينشط الاطفاء الاتوماتيكي (الموتور+الانارة) بتأخير مدته 30 دقيقة. مناسب لإكمال شطف بقايا الروائح والتخلص منها. يمكن تنشيط الوظيفة من أي وضع عندما تكون وظيفة مركز غير نشطة، ويمكن اطفاء الوظيفة بالضغط على الزر أو باطفاء الموتور.
T4	ثابت	يشعل الموتور على السرعة الثالثة.
	يومض مرتين كل ثانية.	يشعل ويطفى وظيفة المركز. هذه السرعة مؤقتة لمدة 6 دقائق. عند انتهاء المدة، يعود النظام تلقائياً على السرعة السابقة. يمكن تعطيل الوظيفة بالضغط على الزر أو باطفاء الموتور. لا تعمل هذه الوظيفة مع وظيفة التأخير.
L	-	يشعل ويطفى نظام الانارة لأقصى طاقته.

## فلتر الدهون

### تنظيف فلتر الدهون

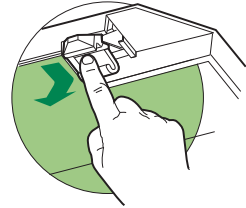
- يجب تنظيف الفلاتر كل شهرين من الاستعمال او بشكل متكرر مع الاستعمال الشاق .
- يمكن تنظيفه داخل غسالة الاطباق ..
- قم بنزع الفلاتر ممسكا بها وفي نفس الوقت قم بسحب المقبض الي الاسفل باليد الاخرى
- قم بتنظيف الفلاتر واحرص علي عدم طي الفلاتر واتركها لتجف قبل اعادة تركيبها مرة اخري
- عند اعادة تركيب الفلاتر تاكد ان المقبض متجه ناحية الخارج.



## فلتر الكربون ( نظام اعادة التوزيع الداخلي )

### تغير فلتر المربون

- هذه الفلاتر غير قابلة للغسيل او التنظيف بل يجب استبدالها كل 4 اشهر من الاستعمال وتكرر عملية الاستبدال مع الاستعمال الشاق .
- انزع فلتر الدهون المعدني .
- انزع فلتر الكربون المشبع بالدهون .
- قم بتركيب الفلتر الجديد في نفس المكان المخصص له .
- اعد تركيب فلتر الدهون المعدني .



## إنارة

- عند تبديلها يجب طلب الخدمة الفنية. (" عند الرغبة بشرائها راجع الخدمة الفنية")

