

# Haier

ENGLISH	INSTALLATION AND USER'S MANUAL
ITALIANO	MANUALE D'INSTALLAZIONE E D'USO
FRANÇAIS	NOTICE D'INSTALLATION ET D'UTILISATION
ESPAÑOL	MANUAL DE USO E INSTALACIÓN
ČESTINA	NÁVOD K INSTALACI A POUŽITÍ
SLOVENČINA	NÁVOD NA INŠTALÁCIU A POUŽITIE
PORTUGUÊS	MANUAL DO UTILIZADOR E DE INSTALAÇÃO
DEUTSCH	EINBAU- UND BEDIENUNGSANLEITUNG
POLAND	INSTRUKCJA OBSŁUGI I INSTALACJI
ΕΛΛΗΝΙΚΑ	ΕΓΚΑΤΑΣΤΑΣΗ ΚΑΙ ΕΓΧΕΙΡΙΔΙΟ ΧΡΗΣΤΗ
TÜRKÇE	KURULUM VE KULLANIM KILAVUZU
ROMÂNĂ	MANUAL DE INSTALARE ŞI UTILIZARE



# INSTALLATION AND USER'S MANUAL

## **CONTENT**

INTRODUCTION	03
SAFETY PRECAUTION	03
ELECTRICAL INSTALLATION	05
SPECIFICATION	06
INSTALLATION (VENT OUTSIDE)	07
INSTALLATION (VENT INSIDE)	16
DESCRIPTION OF COMPONENTS	17
OPERATION	17
MAINTENANCE	20
TROUBLESHOOTING	21
CONFORMITY WITH DIRECTIVES	22
ENVIRONMENTAL PROTECTION	22

## **INTRODUCTION**

### **Thank you for choosing this cooker hood.**

This instruction manual is designed to provide you with all required instructions related to the installation, use and maintenance of the appliance. In order to operate the unit correctly and safety, please read this instruction manual carefully before installation and usage.

The cooker hood uses high quality materials, and is made with a streamlined design. Equipped with large power electric motor and centrifugal fan, it also provides strong suction power, low noise operation, non-stick grease filter and easy assembly installation.

Hereby, Candy Hoover Group Srl declares that the radio equipment is in compliance with Directive 2014/53/EU and with the relevant Statutory Requirements (for the UKCA market).

The full text of the declaration of conformity is available at the following internet address: [www.candy-group.com](http://www.candy-group.com)

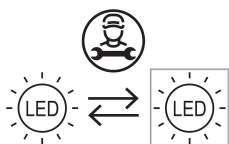
## **SAFETY PRECAUTION**

- Never let the children operate the machine.
- The cooker hood is for home use only, not suitable for barbecue, roast shop and other commercial purpose.
- The cooker hood and its filter should be clean regularly in order to keep in good working condition.
- Clean the cooker hood according to the instruction manual and keep the unit from danger of burning.
- Forbid the direct baking from the gas cooker. Please keep the kitchen room a good convection.
- Before connecting this appliance check that the power supply cord is not damaged. A damage supply cord must be replaced by qualified service personnel only.
- There shall be adequate ventilation of the room when the range hood is used at the same time as appliances burning gas or other fuels;
  
- The air must not be discharged into a flue that is used for exhausting fumes from appliances burning gas or other fuels;
- Regulations concerning the discharge of air have to be fulfilled.

- Children should be supervised to ensure that they do not play with the appliance.
- Do not flambé under the range hood.
- The range hood is not intended to be installed over a hob having more than four hob elements
  
- There shall be adequate ventilation of the room when the range hood is used at the same time as appliances burning gas or other fuels(not applicable to appliances that only discharge the air back into the room);
  
- the details concerning the method and frequency of cleaning.
- there is a fire risk if cleaning is not carried out in accordance with the instructions;
- do not flame under the range hood;
- CAUTION: Accessible parts may become hot when used with cooking appliances.

### **Electrical Shock Hazard**

- Only plug this unit into a properly earthed outlet. If in doubt seek advice from a suitably qualified engineer.
- Failure to follow these instructions can result in death, fire, or electrical shock.



The lamp used in this product is not suitable for use in the lighting of a room.

The purpose of this lamp is to provide illumination for using the product.

## Electrical Installation

All installation must be carried out by a competent person or qualified electrician. Before connecting the mains supply ensure that the mains voltage corresponds to the voltage on the rating plate.

### Direct Connection

The appliance must be connected directly to the mains using an omnipolar circuit breaker with a minimum opening of 3mm between the contacts.

The installer must ensure that the correct electrical connection has been made and that it complies with the wiring diagram.

The cable must not be bent or compressed.

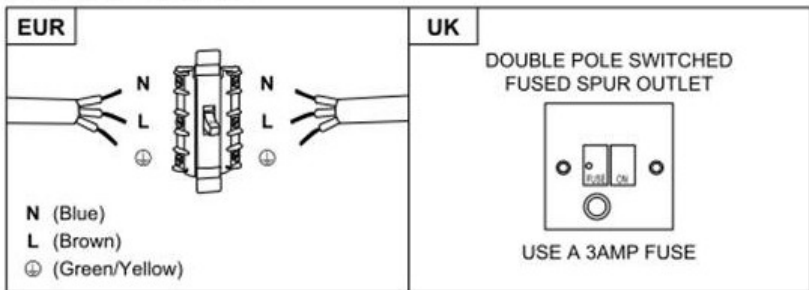
Regularly check the power plug and power cord for damage. If the supply cord is damaged, it must be replaced by a special cord or assembly available from the manufacturer or its service agent.

**WARNING:** This is a Class I appliance and **MUST** be earthed This appliance is supplied with a 3 core mains cable coloured as follows:

Brown = L or Live

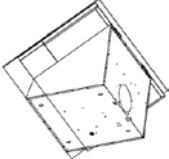










Blue = N or Neutral

Green and Yellow = E or Earth 



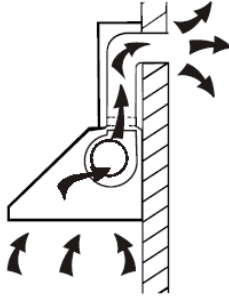
The fuse must be rated at 3 Amps.

## Standard Installation Accessories List

Spec.	Illustration Picture	Qty
Hood body		1
Lower chimney (500mm)		1
Upper chimney (500mm)		1
Upper chimney bracket		1
Lower chimney bracket		1
Cooker hood bracket		1
φ8 rawl plugs φ8×φ6 white color		9
Screw (ST4 * 30 mm)		9
Screw (ST4 * 8 mm)		6
Air outlet		1
Carbon filter		2

## **INSTALLATION (wall mounting)**

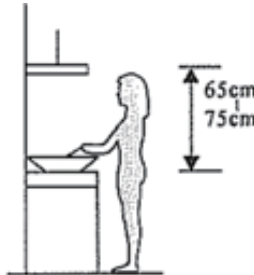
If you have an outlet to the outside, your cooker hood can be connected as below picture by means of an extraction duct (enamel, aluminum, flexible pipe non flammable with an interior diameter of 150mm)



1. Before installation, turn the unit off and unplug it from the outlet.



2. The cooker hood should be placed at a distance of 65~75cm above the cooking plane for best effect.



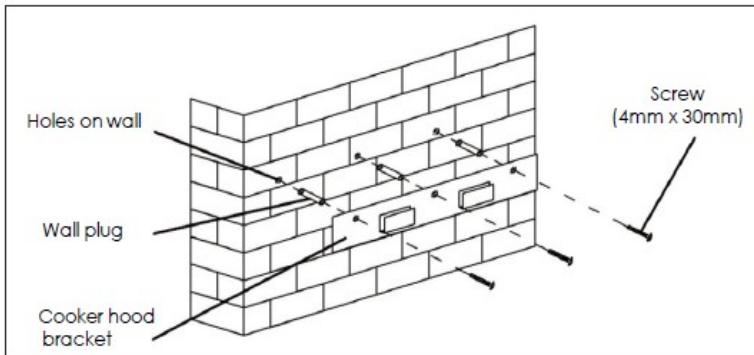


## **INSTALLING THE HOOD**

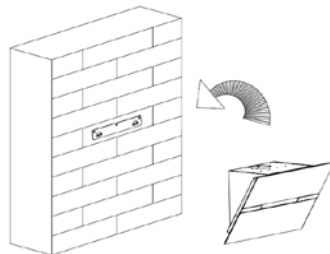
Position the hood at the desired height respecting the minimum height above the hob.

Mark the location of the wall bracket.(Placed the holes between 700 and 800 mm above the worktop) Remove the hood and position the wall bracket to mark the locations of the holes on the wall.

Drill the 3 holes in the wall to insert the appropriate fastening system (screw ST4x30mm)..



Hang the hood in the notches of the wall bracket.

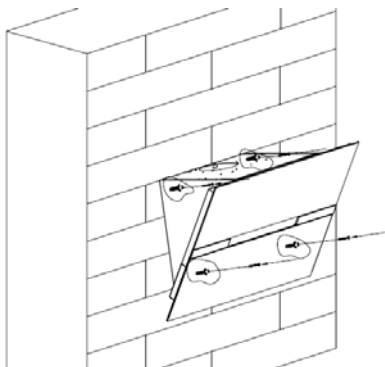


## **INSTALLING THE HOOD**

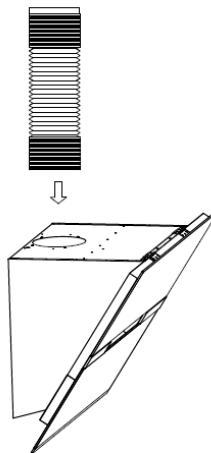
Once the hood is in place, locate the location of the 4 additional wall mount screws as shown in the following diagram.

Remove the hood to puncture the wall and install wall plugs.

Secure the body of the hood with 4 screws of 4 mm in diameter using dowels adapted to your wall.



If the extraction mode is selected, place the exhaust air duct on the air outlet as shown.



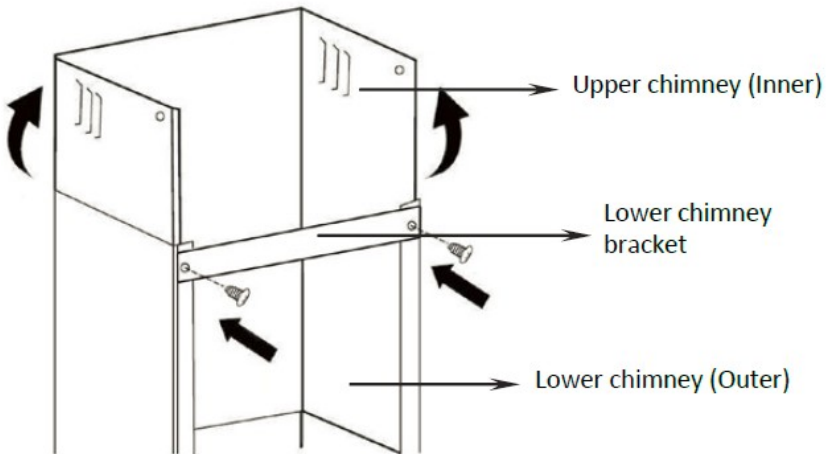
## **INSTALLING THE HOOD**

Attach the lower chimney support to the lower chimney as shown.

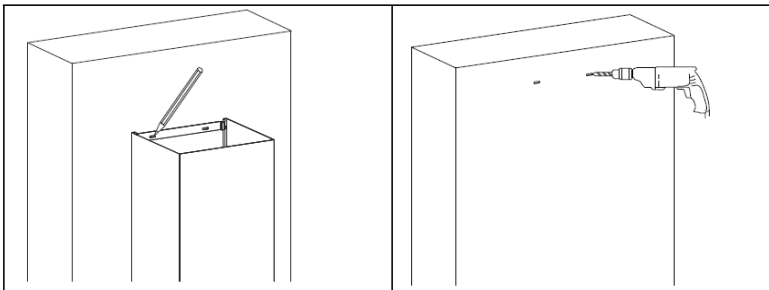
Use 2 screws ST4x8mm.

(Do not over tighten the screws, make sure the upper chimney can slide easily into the lower chimney)

Insert the upper chimney into the lower chimney.



Position the bottom chimney in the appliance, then mark the holes on the wall.

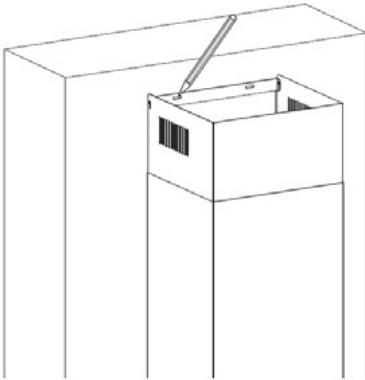
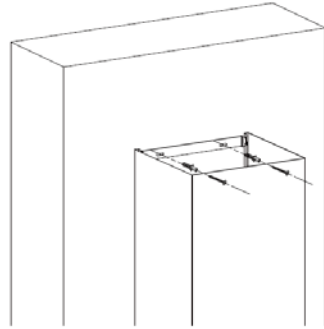


Remove the lower chimney, then drill holes in the wall: hole for screw diameter  $\Phi 8$  mm

Use the dowels adapted to your wall

## **INSTALLING THE HOOD**

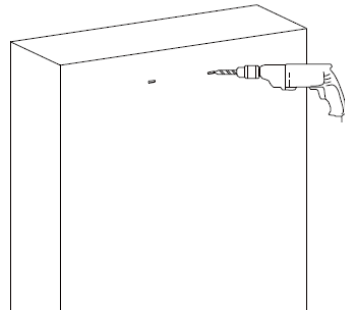
Install the lower chimney, then screw it to the wall with 2 screws of diameter  $\Phi$  8 mm



Then pull the upper chimney upwards to the desired height. Mark the locations of the mounting holes of the upper chimney support.

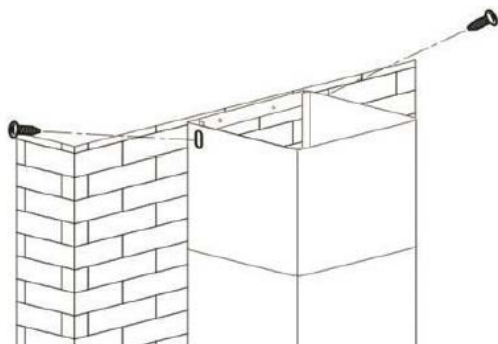
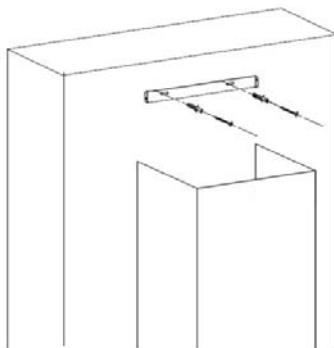
Lower the upper chimney and then drill holes in the wall.

Insert the dowels adapted to your wall



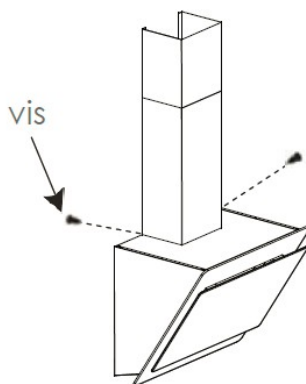
## INSTALLING THE HOOD

Secure the wall bracket of the upper chimney to the wall using the selected dowels (8 mm screws recommended).








Reassemble the upper chimney and fix it to the wall bracket with 2 screws ST4x8mm

Fasten the lower chimney to the lugs of the kitchen hood using 2 screws ST4x8mm.



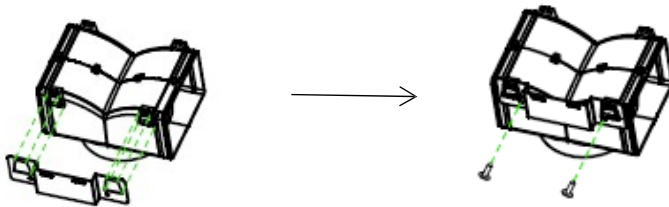
## Standard Installation Accessories List

Spec.	Illustration Picture	Qty
Air Deflector		1
Bracket		1
φ8 rawl plugs φ8×φ6 white color		2
Screws ST4.0×30		2
Screws ST3.5×12		2

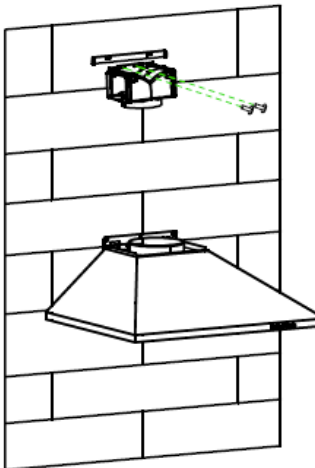
## INSTALLATION(AIR DEFLECTOR FOR T-SHAPE,CURVED GLASS,FLAT GLASS MODELS):

Air deflector is mentioned as included and not optional.

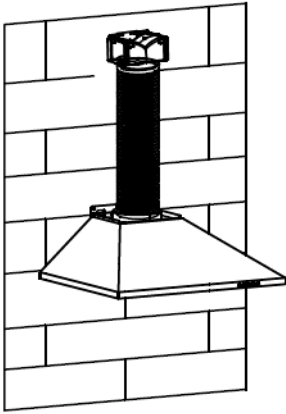
1. Fix the bracket to the T-shaped plastic outlet with 2pcs ST3.5x12mm screws provided as shown below:



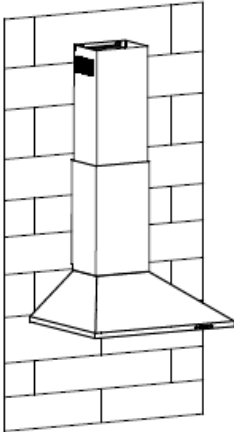
2. Drill 2 holes on the wall to accommodate the wall plugs, then screw and tighten the bracket onto the wall with 2pcs ST4x30mm screws provided.



3. Attach the exhaust pipe onto the air outlet of the cooker hood as shown below:



4. Install the chimney to the unit and fix it.

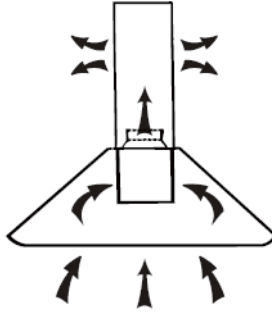


- o “Please kindly be noted: T-shaped plastic outlet and v-flaps can not be use d at the same time. You can use them in two ways: 1) Add v-flap on existing o utlet; 2) Use T-shaped plastic outlet, no add v-flap.”
- o “Note: The product is provided with v-flap accessory. This accessory is not mandatory for installation, operation and use of the product.”

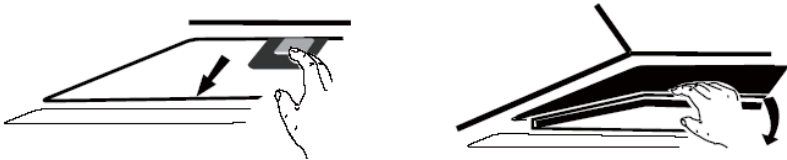


## **INSTALLATION (VENT INSIDE)**

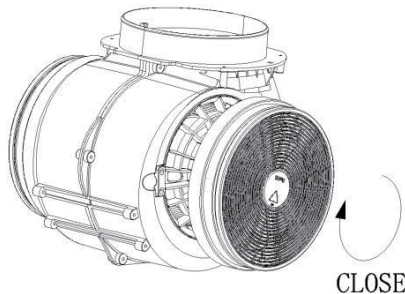
If you do not have an outlet to the outside, exhaust pipe is not required and the installation is similar to the one show in section “INSTALLATION (VENT OUTSIDE)”.



Activated carbon filter can be used to trap odors. In order to install the activated carbon filter, the grease filter should be detached first. Press the lock and pull it downward.



Plug the activated carbon filter into the unit and turn it in clockwise direction. Repeat the same on the other side.



### **NOTE:**

- o *Make sure the filter is securely locked. Otherwise, it would loosen and cause dangerous.*
- o *When activated carbon filter attached, the suction power will be lowere*

## DESCRIPTION OF COMPONENTS

### CONFIGURATION 1

1

2

3

B

B<sup>+</sup>



### OPERATION

1

#### **Low Speed button**

It's used for Ventilation on the kitchen. It is suitable for simmering and cooking which do not make much steam.

2

#### **Medium Speed button**

Airflow speed is ideally for ventilation in standard cooking operation.

3

#### **High Speed button**

When high density of smoke or steam produced, press high-speed button for high effective ventilation.

B

#### **Boost 1(speed 4)**

Press speed b button 1 , the backlit of speed B button is on, and the cooker hood is working at boost mode ;

B<sup>+</sup>

#### **Boost 2(speed 5)**

Press speed b button 2 , the backlit of speed B<sup>+</sup> button is on, and the cooker hood is working at boost mode ;



#### **Light**

**Short press for lighting on & off**

**Quick timer:** Long press the light button hold for 3 seconds, fan speed buttons will flashing & into 5minutes count down, after 5 minutes motor & light will turn off automatic with three Buzzer sound.



#### **Wi-Fi Connection**

Long press WiFi icon and enter into connecting mode: the backlit of WiFi icon keep flashing indicate the connection is under connecting, the backlit of WiFi icon is light on indicate it is connected, same for standby mode; long press WiFi icon again and the connection will be stopped;

## CONFIGURATION 2

1

2

3

B



### STANDBY MODE.

After plug in, all lighting, system in **STANDBY MODE**.

1

#### Low Speed button

It's used for Ventilation on the kitchen. It is suitable for simmering and cooking which do not make much steam.

2

#### Medium Speed button

Airflow speed is ideally for ventilation in standard cooking operation.

3

#### High Speed button

When high density of smoke or steam produced, press high-speed button for high effective ventilation.

B

#### Booster function

This hood has a booster function. To activate the booster, Press

**B** to speed 4, enter into highest speed while the hood is in use and it will increase speed for 5 minutes, before slowing down again.



#### Light

##### Short press for lighting on & off

**Quick timer:** Long press the light button hold for 3 seconds, fan speed buttons will flashing & into 5minutes count down, after 5 minutes motor & light will turn off automatic with three Buzzer sound.



#### Wi-Fi Connection

Long press WiFi icon and enter into connecting mode: the backlit of WiFi icon keep flashing indicate the connection is under connecting, the backlit of WiFi icon is light on indicate it is connected, same for standby mode; long press WiFi icon again and the connection will be stopped;

## Download hOn App



First of all, you should download hOn APP and install to your portable device. Then enroll your hood.



### NOTE

**Get ready to add your appliance**

- 1 Stay close to your appliance
- 2 While in front of your appliance, ensure that your smartphone is connected to a 2.4GHz Wi-Fi network with a stronger signal  
[CHANGE WI-FI SETTINGS](#)
- 3 Public networks are not allowed due to low security and reliability.
- 4 Prepare to enter your Home Wi-Fi password.

### ENROLLMENT HAIER HOOD



*The image of the hood has the only purpose of presenting it. May not be perfectly representative.*

1- Press the WiFi button until the icon starts blinking When the pairing is completed the WiFi icon will be on.

## **MAINTENANCE**

Before cleaning switch the unit off and pull out the plug.

### **I. Regular Cleaning**

Use a soft cloth moistened with hand-warm mildly soapy water or household cleaning detergent. Never use metal pads, chemical, abrasive material or stiff brush to clean the unit.

### **II. Monthly Cleaning for Grease Filter**

*ESSENTIAL: Clean the filter every month can prevent any risk of fire.*

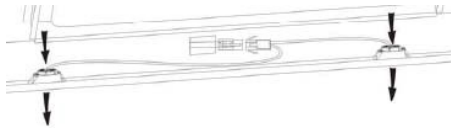
The filter collects grease, smoke and dust..... so the filter is directly affecting the efficiency of the cooker hood. If not cleaned, the grease residue (potential flammable) will saturate on the filter. Clean it with household cleaning detergent.

### **III. Annual Cleaning for Activated Carbon Filter**

Apply SOLELY to unit that installed as a recirculation unit (not vented to the outside). This filter traps odors and must be replaced at least once a year depending on how frequent the cooker hood used.

### **IV. Changing a light bulb**

Remove the screws on the glass, take off the hood glass. Find the bulb that requires replacement, you will find it located in the light fixture which is inside the exposed section of the canopy.



Disconnect the light wiring point and remove the bulb holders and wiring from the hood. Important: It's not possible to replace the bulbs individually, it will be necessary to obtain the bulbs, bulb holders and wiring as a complete part. (LED light: MAX 1.5W)

Fit the replacement bulbs, bulb holders and wiring in the same manners as the originals. Then reconnect the light wiring point.

Refit the hood glass and fasten the glass screws. Make sure the screws are fully tightened.

## **TROUBLESHOOTING**

<b>Fault</b>	<b>Cause</b>	<b>Solution</b>
Light on, but fan does not work	The fan blade is jammed.	Switch off the unit and repair by qualified service personnel only.
	The motor is damaged.	
Both light and fan do not work	Halogen light bulb burn.	Replace the bulb with correct rating.
	Power cord looses.	Plug in to the power supply again.
Serious Vibration of the unit	The fan blade is damaged.	Switch of the unit and repair by qualified service personnel only.
	The fan motor is not fixed tightly.	Switch off the unit and repair by qualified service personnel only.
	The unit is not hung properly on the bracket.	Take down the unit and check whether the bracket is in proper location.
Suction performance not good	Too long distance between the unit and the cooking plane	Readjust the distance to 65-75cm

Technology	Wi-Fi
Standard	802.11 b/g/n
Frequency Band(s)[MHz]	2400 MHz - 2483.5 MHz
Maximum Power[mW]	100 mW

<b>Product information for networked equipment</b>	
power consumption of the product in networked standby if all wired network ports are connected and all wireless network ports are activated:	2 W
How to activate wireless network port:	If the Hood has been enrolled with the APP, turn on the Hood to activate wireless network port.
How to deactivate wireless network port:	If the Hood has been enrolled with the APP, turn off the Hood to deactivate wireless network port. If the Hood hasn't been enrolled with the APP, wireless network port will be deactivated even the Hood is on.

## **CUSTOMER ASSISTANCE SERVICE**

If you cannot identify the cause of the operating anomaly, switch off the appliance and contact the Assistance Service.

PRODUCT SERIAL NUMBER. Where can I find it?

It is important you to inform the Assistance Service of your product code and its serial number (a 16 character code which begins with the number 3); this can be found on the guarantee certificate or on the data plate located on the appliance.

It will help to avoid wasted journeys to technicians, thereby (and most significantly) saving the corresponding callout charges.

This appliance is marked according to the European directive 2012/19/EU on Waste Electrical and Electronic Equipment (WEEE).



WEEE contains both polluting substances (which can cause negative consequences for the environment) and basic components (which can be re-used). It is important to have WEEE subjected to specific

treatments, in order to remove and dispose properly all pollutants, and recover and recycle all materials.

Individuals can play an important role in ensuring that WEEE does not become an environmental issue; it is essential to follow some basic rules:

WEEE should not be treated as household waste;

WEEE should be handed over to the relevant collection points managed by the municipality or by registered companies. In many countries, for large WEEE, home collection could be present.

In many countries, when you buy a new appliance, the old one may be returned to the retailer who has to collect it free of charge on a one-to-one basis, as long as the equipment is of equivalent type and has the same functions as the supplied equipment.

# MANUALE D'INSTALLAZIONE E D'USO

## **INDICE**

INTRODUZIONE.....	24
AVVERTENZE PER LA SICUREZZA.....	24
IMPIANTO ELETTRICO .....	26
INSTALLAZIONE (MONTAGGIO A PARETE) .....	28
INSTALLAZIONE DELLA CAPPA .....	29
ELENCO DEGLI ACCESSORI PER L'INSTALLAZIONE STANDARD.....	34
INSTALLAZIONE (DEFLETTORE D'ARIA PER MODELLI CON VETRO A T, VETRO CURVO , VETRO PIANO).....	35
INSTALLAZIONE (SFIATO INTERNO) .....	37
DESCRIZIONE DEI COMPONENTI .....	38
MANUTENZIONE .....	41
QUALCOSA NON FUNZIONA .....	42
SERVIZIO ASSISTENZA CLIENTI .....	43



## **INTRODUZIONE**

### **Grazie per aver scelto questa cappa.**

Il presente manuale di istruzioni ha lo scopo di fornire tutte le istruzioni necessarie per l'installazione, l'uso e la manutenzione dell'elettrodomestico. Per un uso corretto e sicuro dell'elettrodomestico, leggere attentamente questo manuale di istruzioni prima dell'installazione e dell'uso.

La cappa utilizza materiali di alta qualità ed è realizzata con un design aerodinamico. Dotata di motore elettrico di grande potenza e ventola centrifuga, fornisce anche una forte potenza di aspirazione, funzionamento a basso rumore, filtro antiaderente per grassi e facile installazione di montaggio.

Con la presente Candy Hoover Group Srl dichiara che l'apparecchiatura radio è conforme alla Direttiva 2014/53/UE e ai relativi requisiti di legge (per il mercato UKCA). Il testo completo della dichiarazione di conformità è disponibile al seguente indirizzo internet: [www.candy-group.com](http://www.candy-group.com)

## **AVVERTENZE PER LA SICUREZZA**

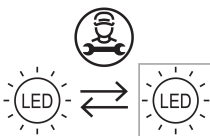
- Non lasciare mai che i bambini facciano funzionare l'elettrodomestico.
- La cappa è destinata al solo uso domestico e non è adatta per barbecue, rosticcerie e altri usi commerciali.
- La cappa e il suo filtro devono essere puliti regolarmente per garantirne il buono stato di funzionamento.
- Pulire la cappa secondo il manuale di istruzioni per evitare il rischio di bruciature.
- Si sconsiglia la cottura diretta dal fornello a gas. Si consiglia di tenere una buona convezione in cucina.
- Prima di collegare l'elettrodomestico controllare che il cavo di alimentazione non sia danneggiato. Un cavo di alimentazione danneggiato deve essere sostituito solo da personale di assistenza qualificato.
- Deve esserci un'adeguata ventilazione dell'ambiente quando si utilizza la cappa aspirante insieme ad elettrodomestici con combustione a gas o altri combustibili;
- L'aria non deve essere scaricata in una canna fumaria usata per i fumi da elettrodomestici con combustione a gas o altri;
- È necessario rispettare le normative relative allo scarico dell'aria.
- I bambini devono essere supervisionati per assicurarsi che

non giochino con l'elettrodomestico.

- Non effettuare cotture flambé sotto la cappa aspirante.
- La cappa non è destinata ad essere installata su un piano cottura con più di quattro elementi di cottura
- Questi devono essere un'adeguata ventilazione della stanza quando la cappa aspirante è usata allo stesso tempo di elettrodomestici che bruciano gas o altri combustibili (non applicabile agli elettrodomestici che scaricano solo l'aria indietro nella stanza);
- i dettagli relativi al metodo e alla frequenza della pulizia.
- se la pulizia non viene effettuata in accordo con le istruzioni, sussiste il rischio di incendi;
- non accendere fiamme libere sotto la cappa aspirante;
- **ATTENZIONE:** le parti accessibili possono diventare calde quando vengono utilizzate con elettrodomestici di cottura.

### **Rischio di elettrocuzione**

- Inserire l'elettrodomestico solo in una presa correttamente collegata a terra. In caso di dubbio, rivolgersi ad un tecnico qualificato.
- Il mancato rispetto di queste istruzioni può provocare la morte, incendi o elettrocuzione.



La lampada utilizzata in questo prodotto non è adatta per l'uso nell'illuminazione di una stanza.

Lo scopo di questa lampada è fornire illuminazione per l'utilizzo del prodotto.

## Impianto elettrico

Tutte le installazioni devono essere eseguite da una persona competente o da un elettricista qualificato. Prima di collegare l'alimentazione di rete, assicurarsi che la tensione di rete corrisponda a quella indicata sulla targhetta.

### Collegamento diretto

L'elettrodomestico deve essere collegato direttamente alla rete usando un interruttore onnipolare con un'apertura minima di 3 mm tra i contatti.

L'installatore deve assicurarsi che sia stato effettuato il corretto collegamento elettrico e che sia conforme allo schema elettrico.

Il cavo non deve essere piegato o schiacciato.


Controllare regolarmente che la spina e il cavo di alimentazione non siano danneggiati. Se il cavo di alimentazione è danneggiato, deve essere sostituito con un cavo o un gruppo di cavi speciale disponibile dal produttore o dal suo agente di servizio.

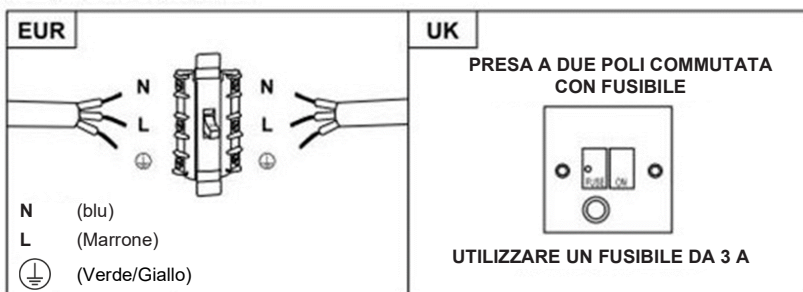
### **AVVERTENZA: Questo è un elettrodomestico di classe I e DEVE essere messo a terra**

Questo elettrodomestico viene fornito con un cavo di rete a 3 conduttori colorato come segue:

Marrone = L o alimentato

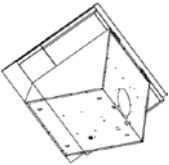
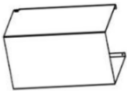
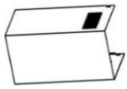




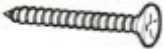



Blu = N o Neutro

Verde e giallo = E o Terra 



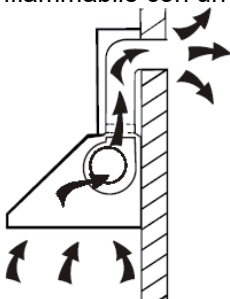
Il fusibile deve avere una potenza di 3 A.

## Elenco degli accessori per l'installazione standard

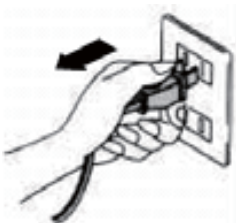
Specif.	Illustrazione Immagine	Quantità
Corpo della cappa		1
Canna fumaria inferiore (500 mm)		1
Canna fumaria superiore (500 mm)		1
Staffa canna fumaria superiore		1
Staffa canna fumaria inferiore		1
Staffa per cappa		1
Tasselli ad espansione Ø 8xØ 6 colore bianco		9
Vite (ST4 x 30 mm)		9
Vite (ST4 x 8 mm)		6
Uscita dell'aria		1
Filtro al carbonio		2

## **INSTALLAZIONE (montaggio a parete)**

Se avete un'uscita verso l'esterno, la vostra cappa può essere collegata come nell'immagine sottostante per mezzo di un condotto di estrazione (smalto, alluminio, tubo flessibile non infiammabile con un diametro interno di 150 mm)



1. Prima dell'installazione, spegnere l'elettrodomestico e staccarlo dalla presa.



2. La cappa deve essere posizionata ad una distanza di circa 65-75 cm dal piano di cottura per ottenere i migliori effetti.



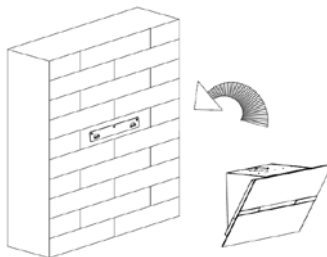
## **INSTALLAZIONE DELLA CAPPA**

Posizionare la cappa all'altezza desiderata rispettando l'altezza minima sopra il piano di cottura.

Segnare la posizione della staffa a muro (posizionare i fori tra 700 e 800 mm sopra il piano di lavoro). Togliere la cappa e posizionare la staffa a muro per segnare le posizioni dei fori sulla parete.

Praticare i 3 fori nel muro per inserire il sistema di fissaggio appropriato (vite ST4x30 mm).

Appendere la cappa nelle tacche della staffa a muro.

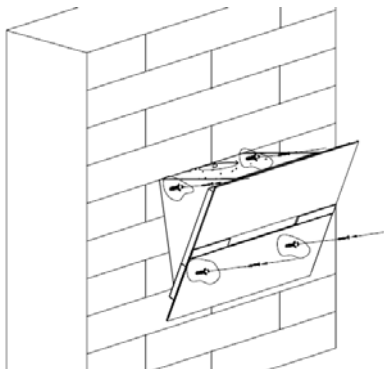


## INSTALLAZIONE DELLA CAPPA

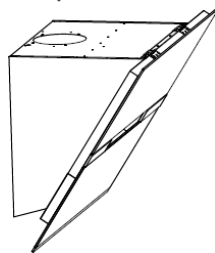
Una volta che la cappa è in posizione, localizzare la posizione delle 4 viti aggiuntive per il montaggio a parete, come mostrato nel seguente diagramma.

Togliere la cappa per forare il muro e installare i tasselli a muro.

Fissare il corpo della cappa con 4 viti di 4 mm di diametro utilizzando dei tasselli adatti al vostro muro.



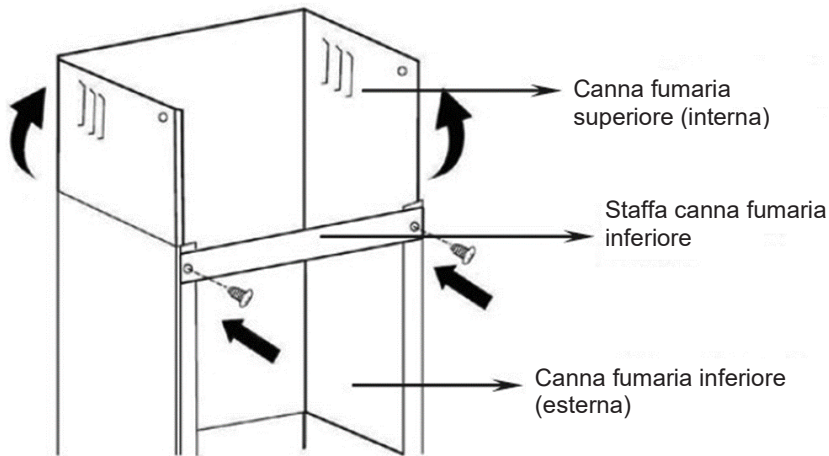
Se è selezionata la modalità di estrazione, posizionare il condotto dell'aria di scarico sull'uscita dell'aria come illustrato.



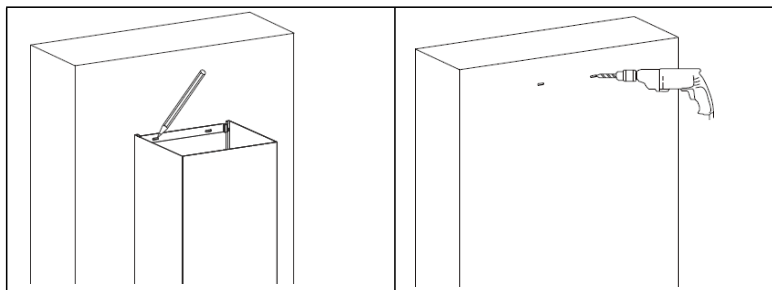
## INSTALLAZIONE DELLA CAPPA

Fissare il supporto della canna fumaria inferiore sulla canna fumaria inferiore come mostrato. Utilizzare 2 viti ST4x8 mm.  
(Non serrare eccessivamente le viti, assicurarsi che la canna fumaria superiore possa scorrere facilmente nella canna fumaria inferiore)

Inserire la canna fumaria superiore in quella inferiore.



Posizionare la canna fumaria inferiore nell'elettrodomestico, poi segnare i fori sul muro.



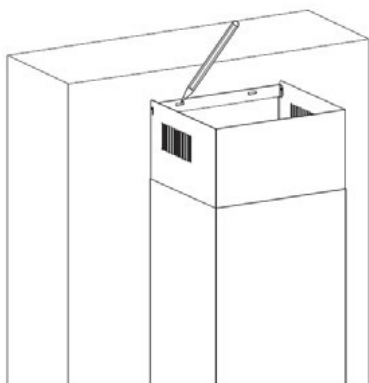
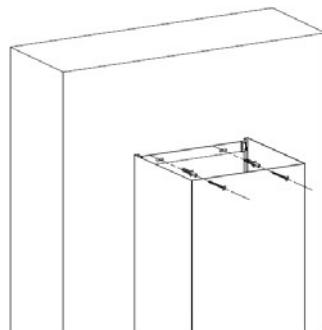
Togliere la canna fumaria inferiore, poi praticare dei fori nel muro: foro per la vite diametro  $\varnothing$  8 mm

Utilizzare i tasselli adatti al vostro muro



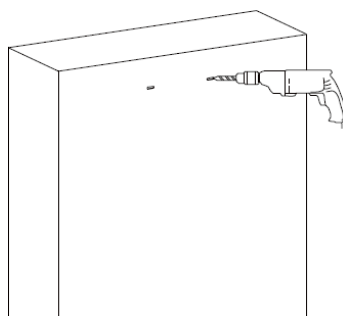
## INSTALLAZIONE DELLA CAPPA

Installare la canna fumaria inferiore, poi avvitare al muro con 2 viti di diametro  $\varnothing$  8 mm



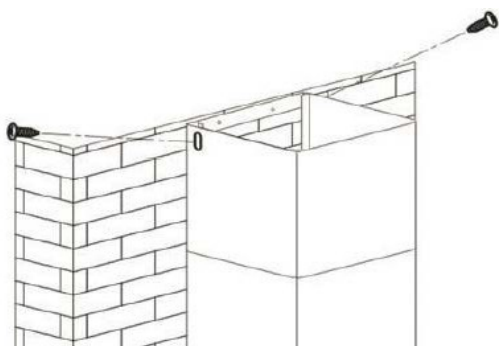
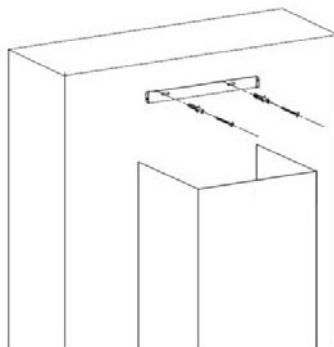
Poi tirare la canna fumaria superiore verso l'alto fino all'altezza desiderata. Segnare le posizioni dei fori di montaggio del supporto della canna fumaria superiore.

Abbassare la canna fumaria superiore e poi praticare dei fori nel muro. Inserire i tasselli adatti al vostro muro



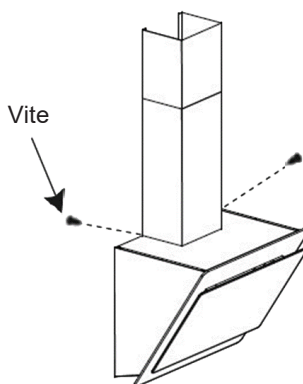
## INSTALLAZIONE DELLA CAPPA

Fissare la staffa a muro della canna fumaria superiore alla parete utilizzando i tasselli scelti (si raccomandano viti da 8 mm).








Rimontare la canna fumaria superiore e fissarla alla staffa a muro con 2 viti ST4x8 mm

Fissare la canna fumaria inferiore alle alette della cappa con 2 viti ST4x8 mm.



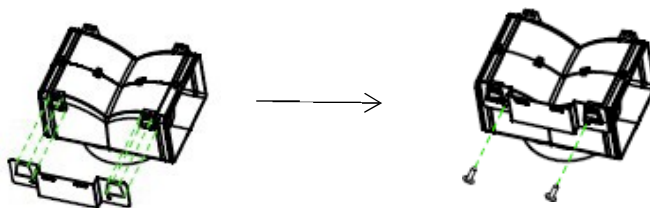
## Elenco degli accessori per l'installazione standard

Specif.	Illustrazione Immagine	Quantità
Deflettore d'aria		1
Staffa		1
Tasselli ad espansione Ø 8 Ø 8xØ 6 colore bianco		2
Viti ST4,0x30		2
Viti ST3,5x12		2

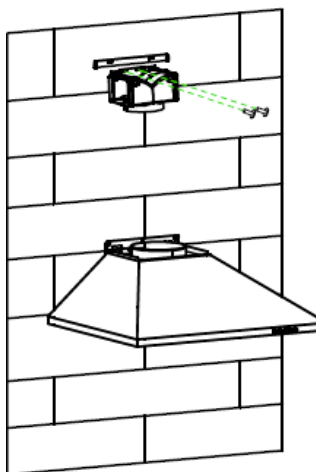
## INSTALLAZIONE (DEFLETTORE D'ARIA PER MODELLI CON VETRO A T, VETRO CURVO , VETRO PIANO)

Il deflettore d'aria è indicato come incluso e non opzionale.

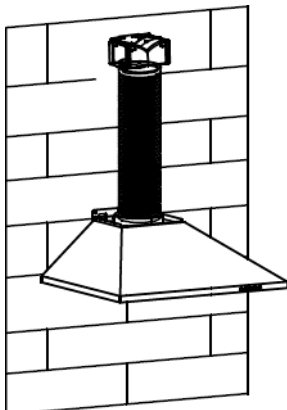
1. Fissare la staffa all'uscita in plastica a T con 2 viti ST3.5x12 mm fornite come mostrato di seguito:



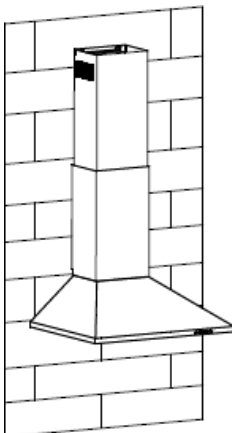
2. Praticare 2 fori sul muro per accogliere i tasselli a muro, poi avvitare e serrare la staffa sul muro con 2 viti ST4x 30 mm fornite.



3. Fissare il tubo di scarico all'uscita dell'aria della cappa come mostrato di seguito:



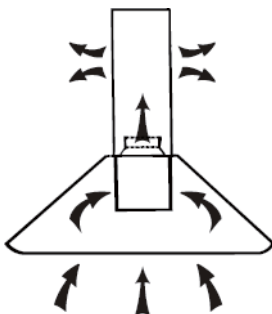
4. Installare la canna fumaria sull'elettrodomestico e fissarla.



- o Si prega di notare: L'uscita in plastica a T e le alette a V non possono essere usate contemporaneamente. Potete usarle in due modi: 1) Aggiungere un'aletta a V sull'uscita esistente; 2) Usare un'uscita in plastica a T, senza aggiungere un'aletta a V.
- o Nota: Il prodotto viene fornito con l'accessorio aletta a V. Questo accessorio non è obbligatorio per l'installazione, il funzionamento e l'uso del prodotto.

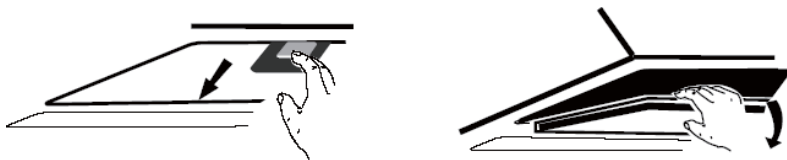
## INSTALLAZIONE (SFIATO INTERNO)

Se non si dispone di uno scarico all'esterno, il tubo di scarico non è necessario e l'installazione è simile a quella indicata nella sezione "Installazione (scarico all'esterno)".

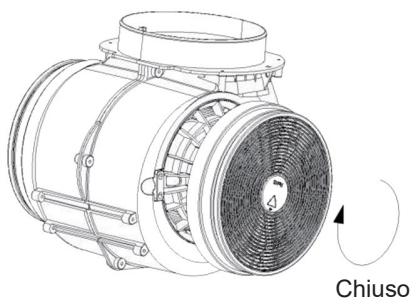


Il filtro al carbone attivo si utilizza per filtrare gli odori.

Per montare il filtro al carbone attivo, il filtro per grasso essere tolto. Premere il fermo e tirarlo verso il basso.



Mettere il filtro al carbone attivo nell'elettrodomestico e fissarlo facendolo ruotare. Ripetere la stessa operazione sull'altro lato.



### NOTA:



- o *Accertarsi che il filtro sia fissato saldamente. In caso contrario, il filtro potrebbe staccarsi e provocare danni.*
- o *Quando il filtro al carbone attivo è collegato, la potenza di aspirazione diminuisce*

## DESCRIZIONE DEI COMPONENTI

### CONFIGURAZIONE 1

1      2      3      B      B<sup>+</sup>            

## FUNZIONAMENTO

- 1 Pulsante bassa velocità**  
È usato per la ventilazione sulla cucina. È adatto per la cottura a fuoco lento e la cottura che non producono molto vapore.
- 2 Pulsante media velocità**  
La velocità del flusso d'aria è ideale per la ventilazione durante la cottura standard.
- 3 Pulsante alta velocità**  
Quando viene prodotta un'alta densità di fumo o vapore, premere il pulsante alta velocità per un'alta ventilazione efficace.
- B Boost 1 (velocità 4)**  
Premere il pulsante 1 della velocità b, la retroilluminazione del pulsante della velocità B è accesa, e la cappa funziona in modalità boost;
- B<sup>+</sup> Boost 2 (velocità 5)**  
Premere il pulsante 2 della velocità b, la retroilluminazione della velocità B<sup>+</sup> è accesa, e la cappa funziona in modalità boost;
-  **Luce**  
**Breve pressione per accendere e spegnere l'illuminazione**  
**Timer rapido:** Premere a lungo il pulsante luce e tenerlo premuto per 3 secondi, i pulsanti di velocità del ventilatore lampeggiano ed entro 5 minuti inizia il conto alla rovescia; dopo 5 minuti motore e luce si spengono automaticamente e l'avvisatore acustico si attiva per tre volte.
-  **Collegamento Wi-Fi**  
Premere a lungo l'icona Wi-Fi ed entrare in modalità di collegamento: la retroilluminazione dell'icona Wi-Fi continua a lampeggiare per indicare che il collegamento è in corso, la retroilluminazione dell'icona Wi-Fi è accesa per indicare che è collegata, lo stesso dicasi per la modalità standby; premere nuovamente a lungo l'icona Wi-Fi e il collegamento verrà interrotto;

## CONFIGURAZIONE 2

1

2

3

B



### MODALITÀ STANDBY.

Dopo la connessione, tutte le luci e il sistema sono in **modalità STANDBY**.

1

#### **Pulsante bassa velocità**

È usato per la ventilazione sulla cucina. È adatto per la cottura a fuoco lento e la cottura che non producono molto vapore.

2

#### **Pulsante media velocità**

La velocità del flusso d'aria è ideale per la ventilazione durante la cottura standard.

3

#### **Pulsante alta velocità**

Quando viene prodotta un'alta densità di fumo o vapore, premere il pulsante alta velocità per un'alta ventilazione efficace.

B

#### **Funzione booster**

Questa cappa ha una funzione booster. Per attivare il booster, premere **B** alla velocità 4, entrare nella velocità massima mentre la cappa è in uso e aumenterà la velocità per 5 minuti, prima di rallentare nuovamente.



#### **Luce**

#### **Breve pressione per accendere e spegnere l'illuminazione**

**Timer rapido:** Premere a lungo il pulsante luce e tenerlo premuto per 3 secondi, i pulsanti di velocità del ventilatore lampeggiano ed entro 5 minuti inizia il conto alla rovescia; dopo 5 minuti motore e luce si spengono automaticamente e l'avvisatore acustico si attiva per tre volte.



#### **Collegamento Wi-Fi**

Premere a lungo l'icona Wi-Fi ed entrare in modalità di collegamento: la retroilluminazione dell'icona Wi-Fi continua a lampeggiare per indicare che il collegamento è in corso, la retroilluminazione dell'icona Wi-Fi è accesa per indicare che è collegata, lo stesso dicasi per la modalità standby; premere nuovamente a lungo l'icona Wi-Fi e il collegamento verrà interrotto;





## Scaricare l'applicazione hOn

Prima di tutto, scaricare l'App hOn e installarla sul vostro dispositivo portatile. Poi registrare la propria cappa.



## NOTA

### Get ready to add your appliance

- 1 Stay close to your appliance
- 2 While in front of your appliance, ensure that your smartphone is connected to a 2.4GHz Wi-Fi network with a stronger signal  
[CHANGE WI-FI SETTINGS](#)
- 3 Public networks are not allowed due to low security and reliability.
- 4 Prepare to enter your Home Wi-Fi password.

## REGISTRAZIONE CAPPA HAIER



*L'immagine della cappa ha il solo scopo di presentarla. Può non essere perfettamente rappresentativa.*

1- Premere il pulsante Wi-Fi fino a quando l'icona non inizia a lampeggiare. Quando l'abbinamento è completato, l'icona Wi-Fi sarà accesa.

## **MANUTENZIONE**

Prima della pulizia spegnere l'elettrodomestico ed estrarre la spina.

### **I. Pulizia regolare**

Utilizzare un panno morbido inumidito con acqua tiepida leggermente insaponata o un detergente per la pulizia della casa. Non utilizzare mai tamponi metallici, prodotti chimici, abrasivi o spazzole rigide per pulire l'elettrodomestico.

### **II. Pulizia mensile del filtro per i grassi**

*ESSENZIALE: Pulire il filtro ogni mese può prevenire qualsiasi rischio di incendio.*

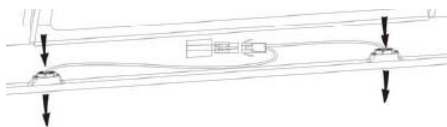
Il filtro raccoglie grasso, fumo e polvere... quindi il filtro influenza direttamente l'efficienza della cappa. Se non pulito, il residuo di grasso (potenzialmente infiammabile) si satura sul filtro. Pulirlo con un detergente per la casa.

### **III. Pulizia annuale del filtro a carbone attivo**

Applicare SOLO all'elettrodomestico installato come unità di ricircolo (senza scarico verso l'esterno). Questo filtro trattiene gli odori e deve essere sostituito almeno una volta all'anno a seconda della frequenza di utilizzo della cappa.

### **IV. Cambiare una lampadina**

Togliere le viti sul vetro, togliere il vetro della cappa. Trovare la lampadina che deve essere sostituita, la troverete situata nel dispositivo di illuminazione che si trova all'interno della sezione esposta della protezione.



Scollegare il punto di cablaggio della luce e rimuovere i portalampada e il cablaggio dalla cappa. Importante: Non è possibile sostituire le lampadine singolarmente, sarà necessario richiedere le lampadine, i portalampada e il cablaggio come ricambio completo. (Luce a LED: max. 1,5 W)

Montare le lampadine di ricambio, i portalampada e il cablaggio nello stesso modo dei componenti. Poi ricollegare il punto di cablaggio della luce.

Rimontare il vetro della cappa e fissare le viti del vetro. Assicurarsi che le viti siano completamente serrate.

## QUALCOSA NON FUNZIONA

<b>Anomalia</b>	<b>Causa</b>	<b>Cosa fare</b>
La luce è accesa, ma la ventola non funziona	La pala della ventola è bloccata.	Spegnerne l'elettrodomestico e fare riparare solo da personale di assistenza qualificato.
	Il motore è danneggiato.	
Sia la luce che la ventola non funzionano	Lampadina alogena bruciata.	Sostituire la lampada con un'altra di pari capacità.
	Il cavo di alimentazione si stacca.	Collegarlo di nuovo all'alimentazione.
Grave vibrazione dell'elettrodomestico	La pala della ventola è danneggiata.	Spegnerne l'elettrodomestico e farlo riparare solo da personale di assistenza qualificato.
	Il motore della ventola non è fissato saldamente.	Spegnerne l'elettrodomestico e fare riparare solo da personale di assistenza qualificato.
	L'elettrodomestico non è appeso correttamente alla staffa.	Togliere l'elettrodomestico e verificare che la staffa sia posizionata correttamente.
Potenza di aspirazione non buona	Distanza eccessiva tra l'elettrodomestico e il piano di cottura	Regolare nuovamente la distanza a 65-75 cm

Tecnologia	Wi-Fi
Norma	802.11 b/g/n
Banda(e) di frequenza [MHz]	2400 MHz - 2483,5 MHz
Potenza massima [mW]	100 mW

<b>Informazioni sui prodotti per apparecchiature collegate in rete</b>	
consumo di energia del prodotto in standby in rete se tutte le porte di rete cablate sono collegate e tutte le porte di rete wireless sono attivate:	2 W
Come attivare la porta di rete wireless:	Se la cappa è stata registrata con l'APP, accendere la cappa per attivare la porta di rete wireless.
Come disattivare la porta di rete wireless:	Se la cappa è stata registrata con l'APP, spegnere la cappa per disattivare la porta di rete wireless. Se la cappa non è stata registrata con l'APP, la porta di rete wireless sarà disattivata anche se la cappa è accesa.

## **SERVIZIO ASSISTENZA CLIENTI**

Se non è possibile identificare la causa dell'anomalia di funzionamento, spegnere l'elettrodomestico e contattare il servizio di assistenza.

NUMERO DI SERIE DEL PRODOTTO. Dove lo trovo?

È importante che comunichiate al Servizio di Assistenza il codice del vostro prodotto e il suo numero di serie (un codice di 16 caratteri che inizia con il numero 3), che si trova sul certificato di garanzia o sulla targhetta dei dati situata sull'elettrodomestico.

Aiuterà ad evitare viaggi inutili dai tecnici, risparmiando così (e in modo più significativo) le spese di chiamata corrispondenti.



Questo elettrodomestico dispone di contrassegno ai sensi della direttiva europea 2012/19/UE sui rifiuti di apparecchiature elettriche ed elettroniche (RAEE).

I RAEE contengono sia sostanze inquinanti (che possono causare conseguenze negative per l'ambiente) e componenti principali (che possono essere riutilizzati). È importante che i RAEE siano sottoposti a trattamenti specifici in modo da togliere e smaltire in modo corretto gli inquinanti, nonché recuperare e riciclare tutti i materiali.

Spetta ai singoli individui garantire che i RAEE non diventino un problema a livello ambientale. Esistono alcune regole specifiche da rispettare:

i RAEE non devono essere trattati come rifiuti domestici;

i RAEE devono essere affidati agli speciali centri di raccolta gestiti dai comuni o da società autorizzate. In molti stati è disponibile anche un servizio di raccolta porta a porta per i RAEE.

In caso di acquisto di nuovi elettrodomestici, quelli vecchi possono essere affidati al venditore che li deve ritirare gratuitamente in numero corrispondente agli elettrodomestici acquistati, a condizione che i singoli elettrodomestici siano di tipo simile e con le stesse funzioni di quelli acquistati.

# Notice d'installation et d'utilisation

## **SOMMAIRE**

INTRODUCTION .....	45
CONSIGNES DE SÉCURITÉ .....	45
INSTALLATION ELECTRIQUE .....	47
INSTALLATION (MONTAGE MURAL) .....	49
INSTALLATION DE LA HOTTE.....	50
LISTE D'ACCESSOIRES D'INSTALLATION STANDARD.....	55
INSTALLATION (DÉFLECTEUR D'AIR POUR LES MODÈLES EN T, VERRE BOMBÉ, VERRE PLAT).....	56
INSTALLATION (ÉVACUATION INTERNE).....	58
DESCRIPTION DES COMPOSANTS .....	59
ENTRETIEN.....	62
DÉPANNAGE .....	63
SERVICE APRÈS-VENTE.....	64

## **INTRODUCTION**

### **Merci d'avoir choisi cette hotte.**

Ce mode d'emploi est conçu pour vous fournir toutes les consignes requises relatives à l'installation, l'utilisation et l'entretien de l'appareil. Afin d'utiliser l'appareil correctement et en toute sécurité, veuillez lire attentivement ce mode d'emploi avant l'installation et l'utilisation.

La hotte utilise des matériaux de haute qualité et est fabriquée avec un design épuré. Équipée d'un moteur électrique de grande puissance et d'un ventilateur centrifuge, elle offre également une forte puissance d'aspiration, un fonctionnement à faible bruit, un filtre à graisse anti-adhésif ainsi qu'une installation et un montage faciles.

Par la présente, Candy Hoover Group Srl déclare que les équipements radio sont conformes à la directive 2014/53/UE et aux exigences légales applicables (pour le marché UKCA). Le texte intégral de la déclaration de conformité est disponible à l'adresse internet suivante : [www.candy-group.com](http://www.candy-group.com)

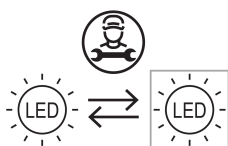
## **CONSIGNES DE SÉCURITÉ**

- Ne laissez jamais les enfants faire fonctionner la machine.
- La hotte est réservée à l'usage domestique, ne convient pas au barbecue, au rôtissoire et à d'autres usages commerciaux.
- La hotte et son filtre doivent être nettoyés régulièrement afin de rester en bon état de fonctionnement.
- Nettoyez la hotte conformément au mode d'emploi et gardez l'appareil à l'abri du risque de brûlure.
- Interdire la cuisson directe avec une cuisinière à gaz. Veuillez garder une bonne convection dans la cuisine.
- Avant de brancher cet appareil, vérifiez que le cordon d'alimentation n'est pas endommagé. Un câble d'alimentation endommagé doit être remplacé uniquement par du personnel d'entretien qualifié.
- Il doit y avoir une ventilation adéquate de la pièce lorsque la hotte est utilisée en même temps que des appareils à gaz ou employant d'autres combustibles ;
- L'air ne doit pas être évacué par un conduit utilisé pour l'évacuation des fumées d'autres appareils à gaz ou alimentés par d'autres carburants ;
- Les réglementations en matière d'évacuation de l'air doivent être respectées.

- Surveillez les enfants afin qu'ils ne jouent pas avec l'appareil.
- Ne pas faire flamber les aliments sous la hotte.
- La hotte de cuisine n'est pas destinée à être installée sur une table de cuisson ayant plus de quatre plaques de cuisson
- Il doit y avoir une ventilation adéquate de la salle lors de l'utilisation de la hotte simultanément aux appareils à gaz ou employant d'autres combustibles (non applicable aux appareils qui se contentent de décharger l'air de nouveau dans la pièce) ;
- les détails concernant la méthode et la fréquence de nettoyage.
- il subsiste un risque d'incendie si le nettoyage n'est pas réalisé conformément aux instructions ;
- ne pas faire flamber sous la hotte ;
- ATTENTION : les pièces accessibles peuvent être chaudes lorsqu'elles sont utilisées avec des appareils de cuisson.

### Risque de choc électrique

- Branchez uniquement cet appareil dans une prise correctement mise à la terre. En cas de doute, demandez conseil à un ingénieur dûment qualifié.
- Le non respect de ces instructions peut entraîner la mort ou provoquer des risques d'incendie ou de décharge électrique.



La lampe utilisée dans ce produit ne convient pas pour l'éclairage d'une pièce.

Le but de cette lampe est de fournir un éclairage pour l'utilisation du produit.

## Installation électrique

Toute installation doit être effectuée par une personne compétente ou un électricien qualifié. Avant de brancher l'alimentation électrique, assurez-vous que la tension d'alimentation correspond à la tension sur la plaque signalétique.

### Branchement direct

L'appareil doit être branché directement au secteur à l'aide d'un disjoncteur omnipolaire avec une ouverture minimale de 3 mm entre les contacts.

L'installateur doit s'assurer que le branchement électrique a été effectué correctement et qu'il est conforme au schéma de câblage.

Le câble ne doit pas être plié ou comprimé.


Vérifiez régulièrement que la prise électrique et le cordon d'alimentation ne sont pas endommagés. Si le cordon d'alimentation est endommagé, il doit être remplacé par un cordon ou un montage spécial disponible auprès du fabricant ou de son agent de maintenance.

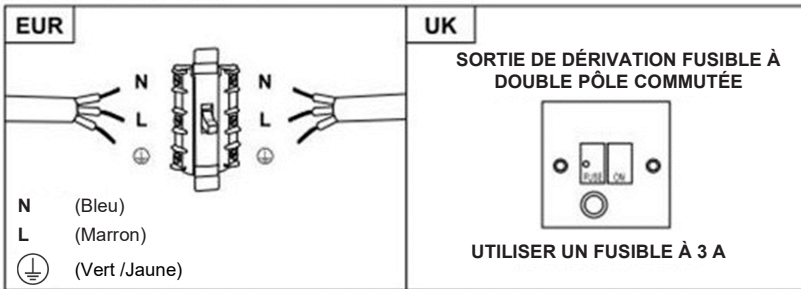
### **AVERTISSEMENT : Il s'agit d'un appareil de classe I et DOIT être mis à la terre**

Cet appareil est fourni avec un câble d'alimentation à 3 conducteurs colorés comme suit :

Marron = L ou Live (phase)

Bleu = N ou Neutre

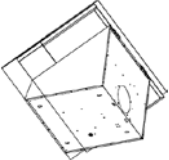






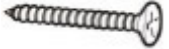



Vert et Jaune = E ou Earth (terre) 



Le fusible doit être calibré à 3 ampères.

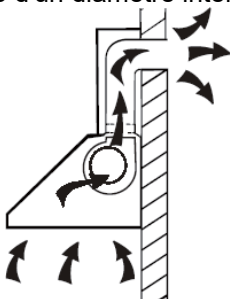


## Liste d'accessoires d'installation standard

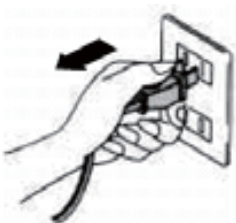
Spéc.	Image d'illustration	Qté
Corps de hotte		1
Bas de conduit (500 mm)		1
Haut de conduit (500 mm)		1
Support de conduit supérieur		1
Support de conduit inférieur		1
Support de hotte de cuisson		1
Ø8 bouchons de rawl Ø8×Ø6 couleur blanche		9
Vis (ST4 * 30 mm)		9
Vis (ST4 * 8 mm)		6
Sortie d'air		1
Filtre à charbon		2

## **INSTALLATION (montage mural)**

Si vous avez une sortie vers l'extérieur, votre hotte peut être raccordée comme sur l'image ci-dessous au moyen d'un conduit d'extraction (émail, aluminium, tuyau flexible non inflammable d'un diamètre intérieur de 150 mm)



1. Avant l'installation, éteignez l'appareil et débranchez-le de la prise de courant.



2. Pour de meilleures performances, la hotte doit être placée à une distance de 65 à 75cm au-dessus de la plaque de cuisson.



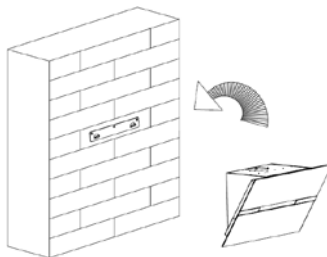
## **INSTALLATION DE LA HOTTE**

Placez la hotte à la hauteur souhaitée en respectant la hauteur minimale au-dessus de la table de cuisson.

Marquez l'emplacement du support mural. (Placez les trous entre 700 et 800 mm au-dessus du plan de travail) Retirez la hotte et positionnez le support mural pour marquer les emplacements des trous sur le mur.

Percez les 3 trous dans le mur pour insérer le système de fixation approprié (vis ST4x30 mm).

Accrochez la hotte dans les encoches du support mural.

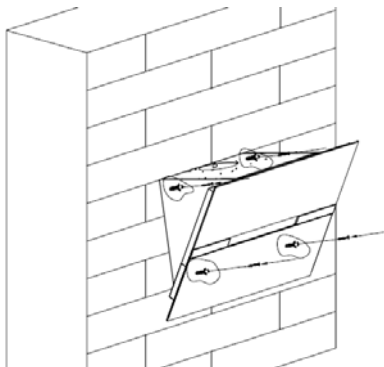


## INSTALLATION DE LA HOTTE

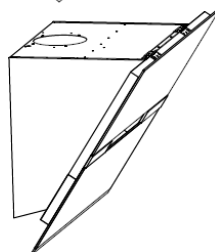
Une fois la hotte en place, localisez l'emplacement des 4 vis murales supplémentaires comme indiqué dans le schéma suivant.

Retirez la hotte pour percer le mur et installer les bouchons muraux.

Fixez le corps de la hotte avec 4 vis de 4 mm de diamètre à l'aide de chevilles adaptées à votre mur.



Si le mode d'extraction est sélectionné, placez le conduit d'air d'échappement sur la sortie d'air comme indiqué.

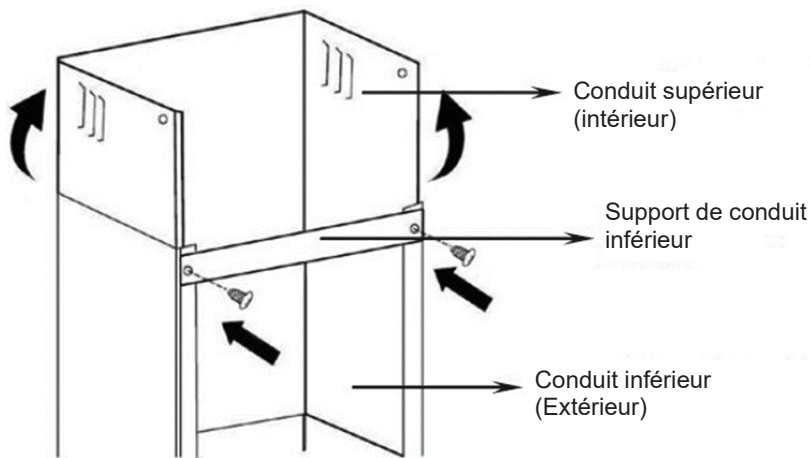


## INSTALLATION DE LA HOTTE

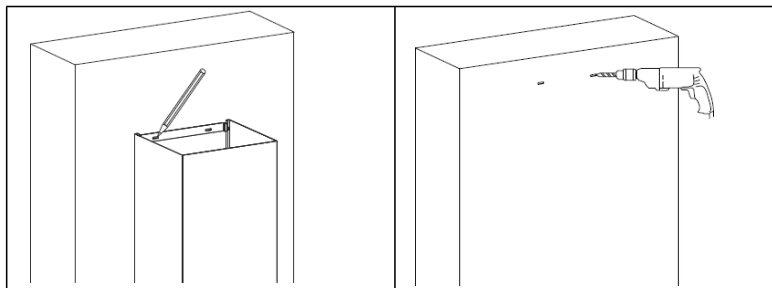
Fixez le support de conduit inférieur au conduit inférieur, tel qu'illustré. Utilisez 2 vis ST 4x8 mm.

(Ne serrez pas trop les vis, assurez-vous que le conduit supérieur peut glisser facilement dans celui inférieur)

Insérez le conduit supérieur dans celui inférieur.



Placez le conduit inférieur dans l'appareil, puis marquez les trous sur le mur.

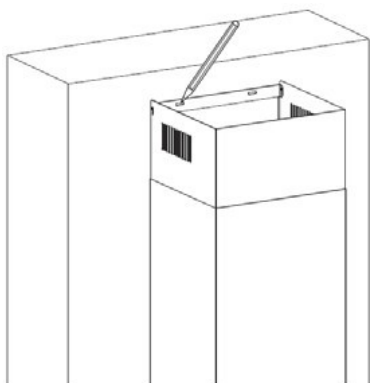
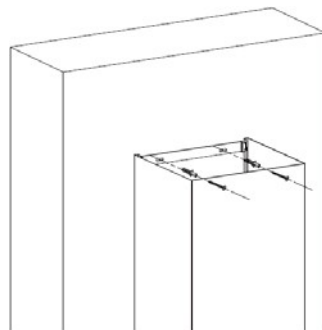


Retirez le conduit inférieur, puis percez des trous dans le mur : trou pour diamètre de vis  $\varnothing$  8 mm

Utilisez les chevilles adaptées à votre mur

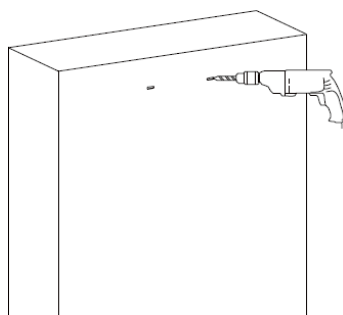
## INSTALLATION DE LA HOTTE

Installez le conduit inférieur, puis vissez-le au mur avec 2 vis de diamètre  $\varnothing$  8 mm



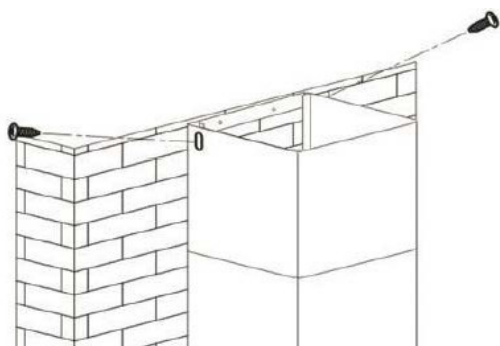
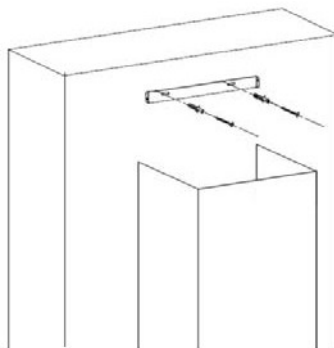
Tirez ensuite le conduit supérieur vers le haut jusqu'à la hauteur souhaitée.  
Marquez les emplacements des trous de montage du support de conduit supérieur.

Abaissez le conduit supérieur, puis percez des trous dans le mur.  
Insérez les chevilles adaptées à votre mur



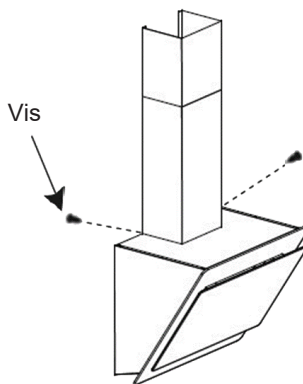
## INSTALLATION DE LA HOTTE

Fixez le support mural du conduit supérieur au mur à l'aide des chevilles sélectionnées (vis de 8 mm recommandées).








Remontez le conduit supérieur et fixez-la au support mural avec 2 vis ST 4x8 mm

Fixez le conduit inférieur aux pattes de la hotte de cuisine à l'aide de 2 vis ST 4x8 mm.



## Liste d'accessoires d'installation standard

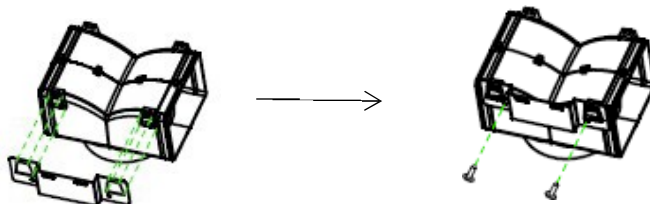
Spéc.	Image d'illustration	Qté
Collecteur-défecteur		1
Support		1
Ø 8 bouchons rawl Ø 8×Ø 6 couleur blanche		2
Vis ST 4,0×30		2
Vis ST 3,5×12		2



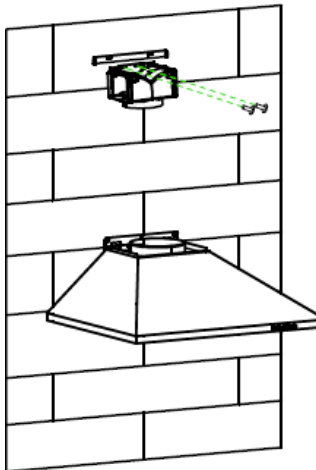
## INSTALLATION (DÉFLECTEUR D'AIR POUR LES MODÈLES EN T, VERRE BOMBÉ, VERRE PLAT)

Le déflecteur d'air est mentionné comme inclus et non optionnel.

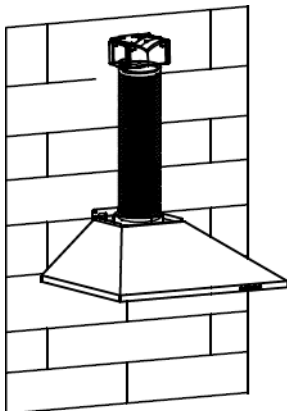
1. Fixez le support à la prise en plastique en forme de T avec 2 vis ST 3,5x12 mm fournies comme indiqué ci-dessous :



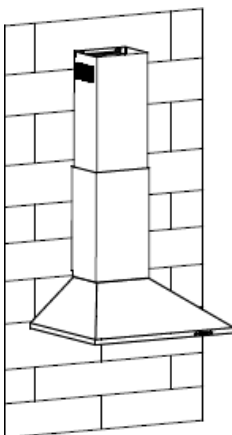
2. Percez 2 trous sur le mur pour recevoir les fiches murales, puis vissez et serrez le support sur le mur avec 2 vis ST 4x30 mm fournies.



3. Fixez le tuyau d'échappement sur la sortie d'air de la hotte comme indiqué ci-dessous :



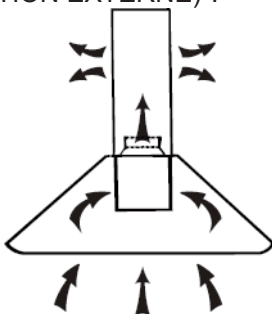
4. Installez le conduit sur l'appareil et fixez-le.



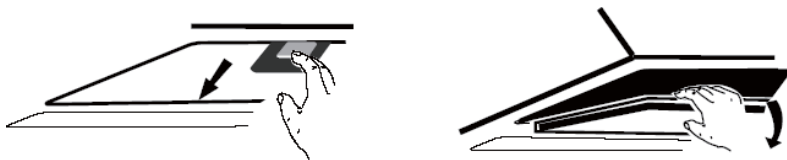
- o "Veillez remarquer : La sortie en plastique en forme de T et les volets en V ne peuvent pas être utilisés en même temps. Vous pouvez les utiliser de deux façons : 1) Ajoutez un rabat en V sur la sortie existante ; 2) Utiliser une sortie en plastique en forme de T, sans ajouter de volet en V. "
- o "Remarque : Le produit est équipé d'un volet en V. Cet accessoire n'est pas obligatoire pour l'installation, le fonctionnement et l'utilisation du produit."

## INSTALLATION (ÉVACUATION INTERNE)

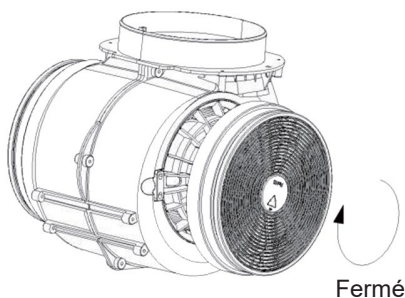
Si vous n'avez pas de sortie vers l'extérieur, le tuyau d'échappement n'est pas nécessaire et l'installation est similaire à celle indiquée dans la section "INSTALLATION (ÉVACUATION EXTERNE)".



Les filtres à charbon actif sont utilisés pour absorber les odeurs. Pour installer le filtre à charbon actif, le filtre à graisse doit d'abord être détaché. Appuyez sur le système d'ouverture et tirez-le vers le bas.



Branchez le filtre à charbon actif dans l'unité et tournez-le dans le sens des aiguilles d'une montre. Faites pareil de l'autre côté.



### **REMARQUE :**



- o Assurez-vous que le filtre soit correctement bloqué. Dans le cas contraire, il pourrait tomber et endommager le bloc.
- o Quand le filtre à charbon actif est installé, la force d'aspiration est plus faible

## DESCRIPTION DES COMPOSANTS

### CONFIGURATION 1

1      2      3      B      B<sup>+</sup>            

## FONCTIONNEMENT

- 1**      **Bouton vitesse minimale**  
Il est utilisé pour la ventilation dans la cuisine. Il convient pour mijoter et réaliser une cuisson qui ne fait pas beaucoup de vapeur.
- 2**      **Bouton vitesse intermédiaire**  
La vitesse d'écoulement de l'air est idéale pour la ventilation dans un fonctionnement de cuisson standard.
- 3**      **Bouton vitesse maximale**  
Lorsqu'une forte densité de fumée ou de vapeur est produite, appuyez sur le bouton grande vitesse pour une ventilation efficace élevée.
- B**      **Boost 1 (vitesse 4)**  
Appuyez sur la touche vitesse b 1, le rétro-éclairage de la touche vitesse B est activé et la hotte fonctionne en mode boost ;
- B<sup>+</sup>**      **Boost 2 (vitesse 5)**  
Appuyez sur la touche vitesse b 2, le rétro-éclairage de la touche vitesse B<sup>+</sup> est activé et la hotte fonctionne en mode boost ;
-       **Faible**  
**Enfoncez brièvement pour allumer et éteindre l'éclairage**  
  
**Minuterie rapide** : Appuyez longuement sur le bouton lumineux et maintenez-la enfoncée pendant 3 secondes, les boutons de vitesse du ventilateur clignotent et comptent à rebours pendant 5 minutes, au bout de 5 minutes, le moteur et le voyant s'éteignent automatiquement avec trois sons de l'avertisseur sonore.
-       **Connexion Wi-Fi**  
Appuyez longuement sur l'icône Wi-Fi et passez en mode connexion : le rétro-éclairage de l'icône Wi-Fi continue de clignoter pour indiquer que la connexion est en cours, le rétro-éclairage de l'icône Wi-Fi est allumé pour indiquer qu'elle est connectée, même chose pour le mode veille ; appuyez longuement sur l'icône Wi-Fi à nouveau et la connexion sera arrêtée ;

## CONFIGURATION 2

1

2

3

B



### MODE VEILLE.

Après branchement, tout l'éclairage, système est en **MODE VEILLE**.

1

#### **Bouton vitesse minimale**

Il est utilisé pour la ventilation dans la cuisine. Il convient pour mijoter et réaliser une cuisson qui ne fait pas beaucoup de vapeur.

2

#### **Bouton vitesse intermédiaire**

La vitesse d'écoulement de l'air est idéale pour la ventilation dans un fonctionnement de cuisson standard.

3

#### **Bouton vitesse maximale**

Lorsqu'une forte densité de fumée ou de vapeur est produite, appuyez sur le bouton grande vitesse pour une ventilation efficace élevée.

B

#### **Fonction Booster**

Cette hotte a une fonction booster. Pour activer le booster, appuyez sur **B** jusqu'à la vitesse 4, réglez sur la vitesse la plus élevée lorsque la hotte est en cours d'utilisation et il augmentera la vitesse pendant 5 minutes, avant de ralentir à nouveau.



#### **Faible**

#### **Enfoncez brièvement pour allumer et éteindre l'éclairage**

**Minuterie rapide** : Appuyez longuement sur le bouton lumineux et maintenez-la enfoncée pendant 3 secondes, les boutons de vitesse du ventilateur clignotent et comptent à rebours pendant 5 minutes, au bout de 5 minutes, le moteur et le voyant s'éteignent automatiquement avec trois sons de l'avertisseur sonore.



#### **Connexion Wi-Fi**

Appuyez longuement sur l'icône Wi-Fi et passez en mode connexion : le rétro-éclairage de l'icône Wi-Fi continue de clignoter pour indiquer que la connexion est en cours, le rétro-éclairage de l'icône Wi-Fi est allumé pour indiquer qu'elle est connectée, même chose pour le mode veille ; appuyez longuement sur l'icône Wi-Fi à nouveau et la connexion sera arrêtée ;

## Téléchargez l'application hOn



Tout d'abord, vous devez télécharger l'Appli hOn et l'installer sur votre appareil portable. Ensuite, enregistrez votre hotte.



## REMARQUE

### Get ready to add your appliance

- 1 Stay close to your appliance
- 2 While in front of your appliance, ensure that your smartphone is connected to a 2.4GHz Wi-Fi network with a stronger signal

CHANGE WI-FI SETTINGS

- 3 Public networks are not allowed due to low security and reliability.
- 4 Prepare to enter your Home Wi-Fi password.

## ENREGISTREMENT HOTTE HAIER



*L'image de la hotte a pour seul but de la présenter. Peut ne pas être parfaitement représentatif.*

1- Appuyez sur le bouton Wi-Fi jusqu'à ce que l'icône clignote. Lorsque l'appariement est terminé, l'icône Wi-Fi est activée.

## **ENTRETIEN**

Avant le nettoyage, éteignez l'appareil et débranchez-le.

### **I. Nettoyage Régulier**

Utilisez un chiffon doux humidifié avec de l'eau moyennement savonneuse ou un détergent ménager. N'utilisez jamais de tampon métallique, de produit chimique, de matériau abrasif ou de brosse rigide pour nettoyer l'appareil.

### **II. Nettoyage mensuel du filtre à graisse**

*Fondamental : Nettoyez le filtre tous les mois pour éviter tout risque d'incendie.*

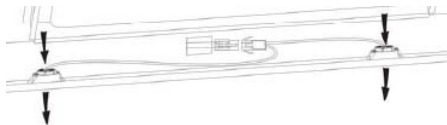
Le filtre recueille la graisse, la fumée et la poussière... de sorte que le filtre affecte directement l'efficacité de la hotte. S'il n'est pas nettoyé, le résidu de graisse (potentiellement inflammable) saturera le filtre. Nettoyez-le avec un détergent ménager.

### **III. Nettoyage annuel du filtre à charbon actif**

S'applique **UNIQUEMENT** à l'unité installée en tant qu'unité de recirculation (non ventilée vers l'extérieur). Ce filtre piège les odeurs et doit être remplacé au moins une fois par an en fonction de la fréquence d'utilisation de la hotte.

### **IV. Changement d'ampoule**

Retirez les vis au niveau de la vitre, retirez la vitre de la hotte. Identifiez l'ampoule qui doit être remplacée, vous la trouverez dans le luminaire qui se trouve à l'intérieur de la section exposée de l'auvent.



Débranchez le point de câblage de la lampe et retirez les porte-ampoules et le câblage de la hotte. Important : Il n'est pas possible de remplacer les ampoules individuellement, il sera nécessaire d'obtenir les ampoules, les supports d'ampoules et le câblage en tant que pièce complète. (lumière LED : MAX. 1,5 W.

Installez les ampoules de rechange, les porte-ampoules et le câblage de la même manière que les ampoules d'origine. Raccordez de nouveau ensuite le point de câblage de la lumière.

Reposez la vitre de la hotte et fixez les vis en verre. Assurez-vous que les vis soient complètement serrées.

## DÉPANNAGE

<b>Problème</b>	<b>Cause</b>	<b>Solution</b>
Lumière allumée, mais le ventilateur ne fonctionne pas.	La pale du ventilateur est coincée.	Éteignez l'appareil et réparez-le uniquement par du personnel d'entretien qualifié.
	Le moteur est endommagé.	
La lumière et le ventilateur ne fonctionnent pas	Une ampoule halogène a grillé.	Remplacez l'ampoule par un calibre correct.
	Le cordon d'alimentation est desserré.	Branchez à nouveau l'alimentation.
Vibration grave de l'appareil	La pale du ventilateur est endommagée.	Commutation de l'unité et réparation par du personnel d'entretien qualifié uniquement.
	Le moteur du ventilateur n'est pas fixé fermement.	Éteignez l'appareil et réparez-le uniquement par du personnel d'entretien qualifié.
	L'appareil n'est pas correctement accroché au support.	Descendez l'appareil et vérifiez si le support est correctement positionné.
Les performances d'aspiration ne sont pas bonnes	Distance trop grande entre l'appareil et le plan de cuisson	Réajustez la distance à 65-75 cm

Technologie	Wi-Fi
Standard	802.11 b/g/n
Bande(s) de fréquence [MHz]	2400 MHz-2483,5 MHz
Puissance maximale [mW]	100 mW

<b>Informations sur le produit pour les équipements en réseau</b>	
consommation d'énergie du produit en veille en réseau si tous les ports réseau câblés sont connectés et ceux sans fil sont activés :	2 W
Comment activer le port de réseau sans fil :	Si la hotte a été enregistrée avec l'APPLICATION, activez cette hotte pour activer le port réseau sans fil.
Comment désactiver le port de réseau sans fil :	Si la hotte a été enregistrée avec l'APPLICATION, désactivez la hotte pour désactiver le port réseau sans fil. Si la hotte n'a pas été enregistrée avec l'APPLICATION, le port réseau sans fil sera désactivé même si la hotte est activée.



## **SERVICE APRÈS-VENTE**

Si vous ne pouvez pas identifier la cause de l'anomalie de fonctionnement, éteignez l'appareil et contactez le service d'assistance.

NUMÉRO DE SÉRIE DU PRODUIT Où puis-je le trouver ?

Il est important de communiquer le code de référence de votre appareil et son numéro de série (un code à 16 chiffres qui commence par 3). Il est inscrit sur le certificat de garantie et sur la plaque d'identification de l'appareil.

Cela permettra d'éviter les trajets inutiles vers les techniciens, ce qui permettra (et surtout) d'économiser les frais d'appel correspondants.



Cet appareil comporte les symboles conformes à la directive européenne 2012/19/EU sur les déchets des équipements électriques et électroniques (DEEE).

Les DEEE contiennent à la fois des substances polluantes (qui peuvent avoir des conséquences négatives sur l'environnement) et les composants de base (qui peuvent être réutilisés). Il est important de soumettre les déchets DEEE à des traitements spécifiques, afin d'enlever et d'éliminer tous les polluants de manière adéquate et de récupérer et recycler tous les matériaux. Toute personne peut jouer un rôle important en veillant à ce que les déchets DEEE ne deviennent pas un problème environnemental ; pour cela, il est essentiel de suivre quelques règles de base :

Les DEEE ne doivent pas être traités comme des déchets ménagers ;

Les DEEE doivent être remis aux points de collecte appropriés gérés par la municipalité ou par des sociétés reconnues. Dans de nombreux pays, pour des DEEE encombrants, la collecte à domicile peut être organisée.

Dans de nombreux pays, lorsque vous achetez un nouvel appareil, l'ancien peut être retourné au détaillant qui est en devoir de le récupérer sans frais de manière individualisée, tant que l'équipement est de type équivalent et a les mêmes fonctions que l'équipement fourni.



# MANUAL DE USO E INSTALACIÓN

## **CONTENIDO**

INTRODUCCIÓN .....	66
PRECAUCIONES DE SEGURIDAD.....	66
INSTALACIÓN ELÉCTRICA.....	68
INSTALACIÓN (MONTAJE EN LA PARED) .....	70
INSTALACIÓN DE LA CAMPANA.....	71
LISTA DE ACCESORIOS DE INSTALACIÓN ESTÁNDAR.....	76
INSTALACIÓN (DEFLECTOR DE AIRE EN FORMA DE T, VIDRIO CURVADO, MODELOS CON VIDRIO PLANO) .....	77
INSTALACIÓN (SALIDA INTERIOR) .....	78
DESCRIPCIÓN DE LOS COMPONENTES .....	80
MANTENIMIENTO.....	83
RESOLUCIÓN DE PROBLEMAS.....	84
SERVICIO DE ASISTENCIA AL CLIENTE.....	85

## **INTRODUCCIÓN**

### **Gracias por elegir esta campana extractora.**

Este manual de instrucciones está diseñado para proporcionarle todas las instrucciones necesarias relacionadas con la instalación, el uso y el mantenimiento del electrodoméstico. Para que el electrodoméstico funcione correctamente y con seguridad, por favor lea este manual de instrucciones cuidadosamente antes de la instalación y el uso.

La campana extractora utiliza materiales de alta calidad, y está hecha con un diseño aerodinámico. Equipada con un motor eléctrico de gran potencia y un ventilador centrífugo, también proporciona una fuerte potencia de aspiración, un funcionamiento de bajo ruido, un filtro de grasa antiadherente y una instalación de fácil montaje.

Por la presente, Candy Hoover Group Srl declara que los equipos radioeléctricos cumplen con la Directiva 2014/53/UE y con los requisitos legales pertinentes (para el mercado UKCA). Se encuentra disponible el texto completo de la declaración de conformidad en la siguiente dirección de Internet: [www.candy-group.com](http://www.candy-group.com)

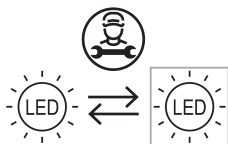
## **PRECAUCIONES DE SEGURIDAD**

- No deje que los niños utilicen el electrodoméstico.
- La campana extractora es para uso doméstico exclusivamente y no puede utilizarse en barbacoas, asadores u otros establecimientos comerciales.
- La campana extractora y el filtro deben limpiarse de forma periódica para mantener el producto en buenas condiciones de uso.
- Limpie la campana extractora de acuerdo con el manual de instrucciones y mantenga el electrodoméstico fuera de peligro de quemaduras.
- La campana no debe utilizarse en un hornillo de gas. Durante su uso, asegúrese de que exista ventilación suficiente en la cocina.
- Antes de conectar este electrodoméstico, compruebe que el cable de alimentación no esté dañado. Un cable de suministro dañado debe ser reemplazado únicamente por personal de asistencia cualificado.
- Debe haber una ventilación adecuada de la habitación cuando se utilice la campana extractora al mismo tiempo que los aparatos de gas u otros;

- No conecte el aparato a una salida de aire en la que se hayan conectado otros dispositivos que quemen gas u otros combustibles;
- Deben cumplirse las normas relativas a la salida de humos.
- Es necesario vigilar a los niños para asegurarse de que no jueguen con el electrodoméstico.
- No flamee debajo de la campana extractora.
- La campana extractora no está pensada para instalarse sobre una placa con más de cuatro zonas de cocción
- Deberá asegurarse una buena ventilación de la cocina cuando se utilice la campana de extractora al mismo tiempo que los aparatos que quemen gas u otros combustibles (no aplicable a los aparatos que solo descargan el aire de vuelta a la cocina);
- los detalles relativos al método y la frecuencia de la limpieza.
- Hay riesgo de incendio si la limpieza no se realiza de acuerdo con las instrucciones.
- no flamee debajo de la campana extractora;
- PRECAUCIÓN: las piezas accesibles pueden calentarse cuando se usan con aparatos de cocina.

### Riesgo de descarga eléctrica

- Conecte este electrodoméstico únicamente a una toma de corriente con conexión a tierra. En caso de duda, busque el consejo de un técnico debidamente cualificado.
- El incumplimiento de estas instrucciones puede provocar la muerte, un incendio o una descarga eléctrica.



La lámpara utilizada en este producto no es adecuada para su uso en la iluminación de una

habitación. El propósito de esta lámpara es proporcionar iluminación para usar el producto.

## Instalación eléctrica

Toda la instalación debe ser realizada por un electricista cualificado u otro profesional competente. Antes de conectar la alimentación de la red, asegúrese de que la tensión de la red corresponda a la tensión que figura en la placa de datos.

### Conexión directa

El electrodoméstico se conecta directamente a la corriente, utilizando un disyuntor omnipolar con una distancia mínima de 3 mm entre los contactos.

El instalador debe asegurarse de que la conexión a la red eléctrica se haya realizado correctamente y cumpliendo el esquema eléctrico.

El cable no debe doblarse ni aplastarse.


Revise regularmente el enchufe y el cable de alimentación para ver si están dañados. Si el cable de suministro está dañado, debe ser reemplazado por un cable o conjunto especial disponible en el fabricante o su agente del servicio de asistencia.

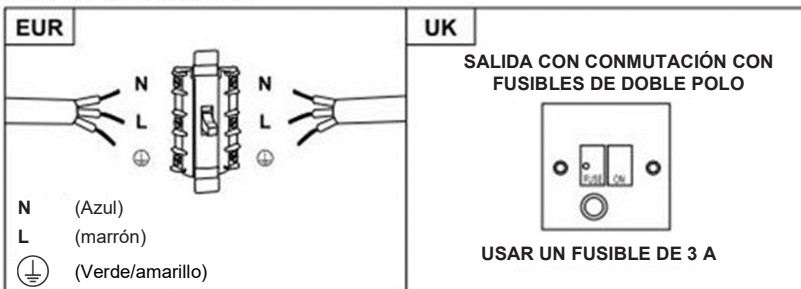
### **ADVERTENCIA: Este es un aparato de Clase I y DEBE ser conectado a tierra**

Este aparato se suministra con un cable de red de 3 hilos del siguiente color:

Marrón = L (Live) o CORRIENTE

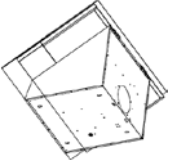










Azul = N (Neutral) o NEUTRAL

Verde y amarillo = E (Earth) o TIERRA 



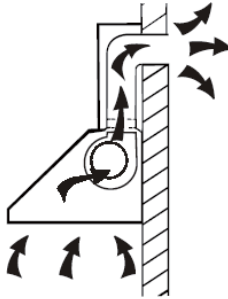
El fusible debe tener una capacidad de 3 A

## Lista de accesorios de instalación estándar

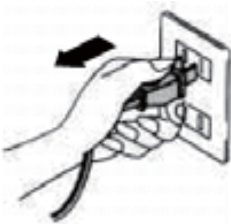
Espec.	Fig. Ilustración	Cant.
Cuerpo de la campana		1
Chimenea inferior (500 mm)		1
Chimenea superior (500 mm)		1
Soporte de la chimenea superior		1
Soporte de la chimenea inferior		1
Soporte de la campana extractora		1
taquetes Ø8 - Ø8xØ6 color blanco		9
Tornillo (ST4 * 30 mm)		9
Tornillo (ST4 * 8 mm)		6
Salida de aire		1
Filtro de carbono		2

## **INSTALACIÓN (montaje en la pared)**

Si tiene una salida al exterior, la campana se puede conectar como se muestra a continuación mediante un conducto de extracción (esmalte, aluminio, tubo flexible no inflamable con un diámetro interior de 150 mm)



1. Antes de la instalación, apague el electrodoméstico y desenchúfelo de la toma de corriente.



2. La campana extractora debe colocarse a una distancia de 65~ 75 cm de la superficie de cocción para obtener resultados óptimos.



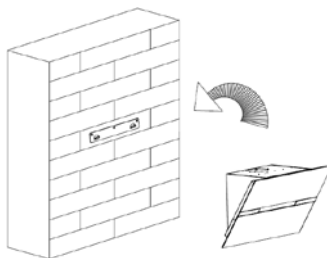
## **INSTALACIÓN DE LA CAMPANA**

Coloque la campana a la altura deseada respetando la altura mínima por encima de la placa de cocción.

Marque la ubicación del soporte de pared (coloque los orificios entre 700 y 800 mm por encima de la placa de cocción); retire la campana y coloque el soporte de pared para marcar las ubicaciones de los orificios en la pared.

Practique los 3 orificios en la pared para fijar el sistema de sujeción apropiado (tornillo ST4x30 mm).

Cuelgue la campana en las muescas del soporte de pared.



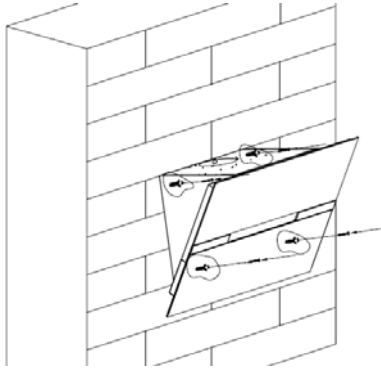


## INSTALACIÓN DE LA CAMPANA

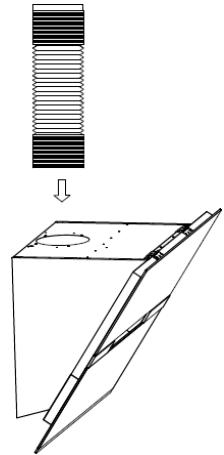
Cuando la campana esté en su lugar, localice la ubicación de los 4 tornillos de montaje en la pared adicionales que se muestra en el siguiente diagrama.

Retire la campana para perforar la pared e introduzca los tacos.

Fije el cuerpo de la campana con 4 tornillos de 4 mm de diámetro utilizando pasadores aptos para su pared.



Si se selecciona el modo de extracción, coloque el conducto de aire de escape en la salida de aire de la manera mostrada.

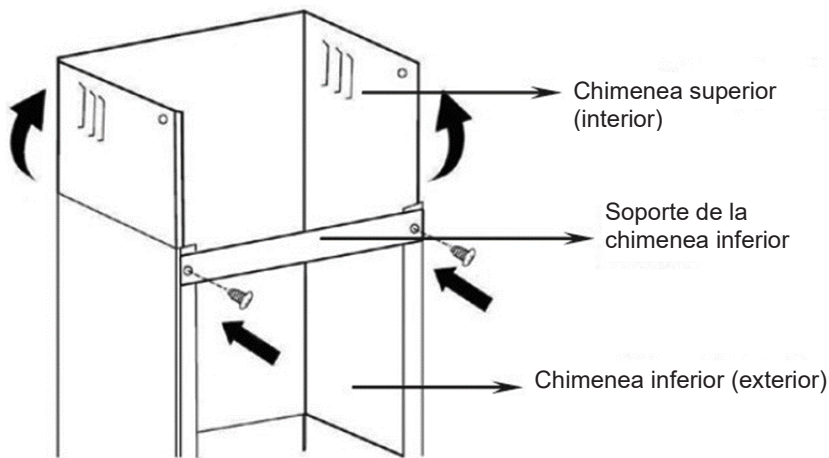


## INSTALACIÓN DE LA CAMPANA

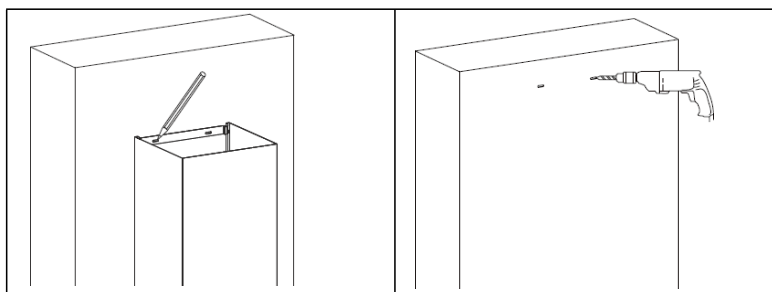
Fije el soporte de la chimenea inferior a la chimenea inferior de la manera mostrada. Utilice 2 tornillos ST4x8 mm.

(No apriete demasiado los tornillos, asegúrese de que la chimenea superior pueda deslizarse fácilmente en la chimenea inferior)

Introduzca la chimenea superior en la chimenea inferior.



Coloque la chimenea inferior en el aparato y, a continuación, marque los agujeros en la pared.

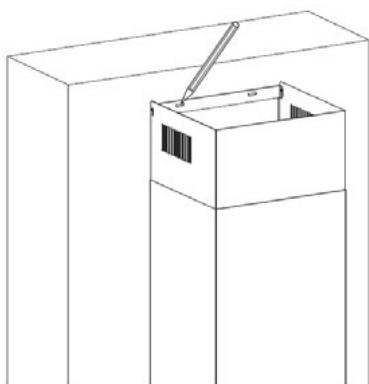
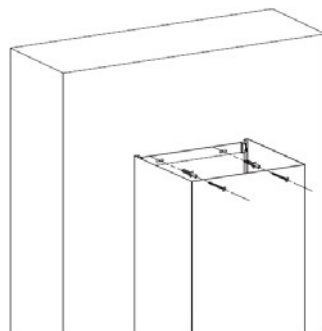


Retire la chimenea inferior y practique los orificios en la pared: orificio para el tornillo Ø 8 mm

Utilice pasadores aptos para su pared.

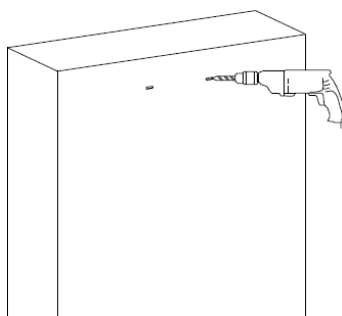
## INSTALACIÓN DE LA CAMPANA

Instale la chimenea inferior, fijándola a la pared con 2 tornillos de  $\varnothing$  8 mm.



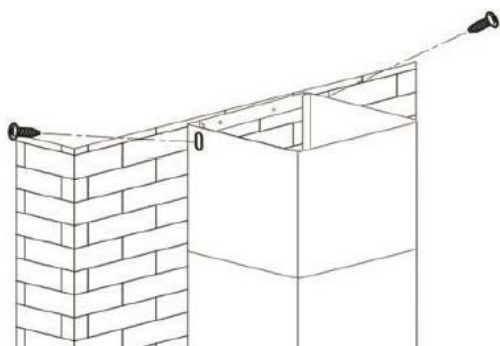
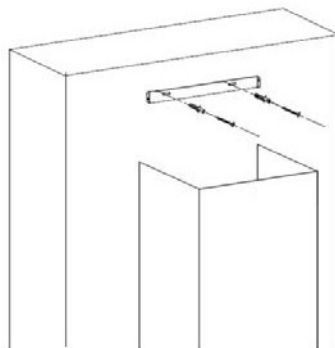
A continuación, tire de la chimenea superior hacia arriba hasta la altura deseada. Marque las ubicaciones de los orificios de montaje del soporte superior de la chimenea.

Baje la chimenea superior y luego practique los orificios en la pared.  
Inserte los pasadores aptos para su pared.



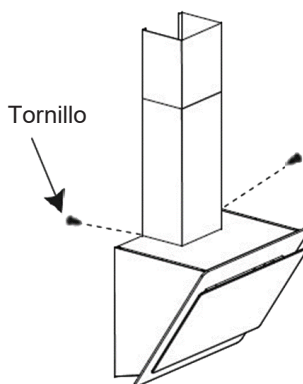
## INSTALACIÓN DE LA CAMPANA

Fije el soporte de pared de la chimenea superior a la pared con los pasadores seleccionados (se recomiendan tornillos de 8 mm).








Vuelva a montar la chimenea superior y fíjela al soporte de pared con 2 tornillos ST4x8 mm

Fije la chimenea inferior a las lengüetas de la campana con 2 tornillos ST4x8 mm.



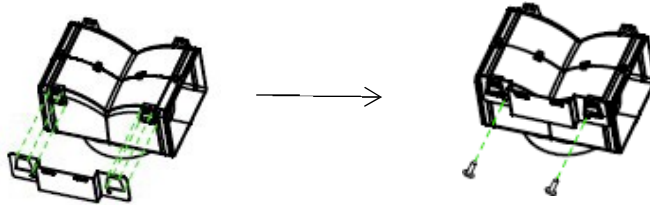
## Lista de accesorios de instalación estándar

Espec.	Fig. Ilustración	Cant.
Deflector de aire		1
Soporte		1
taquetes Ø8 - Ø8×Ø6 color blanco		2
Tornillos ST4,0×30		2
Tornillos ST3,5×12		2

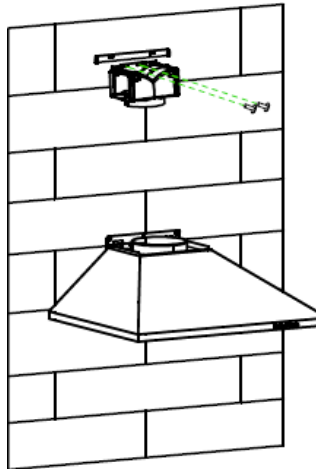
## INSTALACIÓN (DEFLECTOR DE AIRE EN FORMA DE T, VIDRIO CURVADO, MODELOS CON VIDRIO PLANO)

El deflector de aire se menciona como incluido y no opcional.

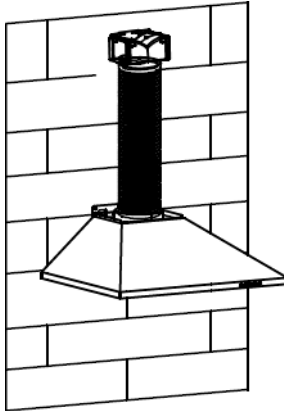
1. Fije el soporte a la salida de plástico en forma de T con 2 tornillos ST3,5x12 mm suministrados de la manera mostrada a continuación:



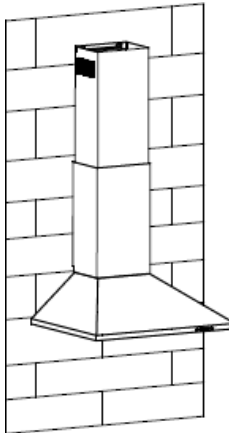
2. Practique 2 orificios en la pared para introducir los tacos, luego atornille y fije el soporte en la pared con los 2 tornillos ST4x30 mm proporcionados.



3. Conecte el tubo de escape a la salida de aire de la campana de la cocina como se muestra a continuación:



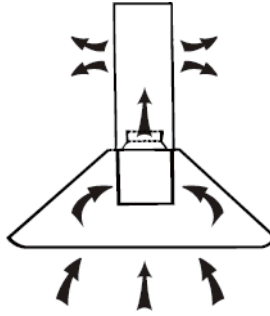
4. Instale la chimenea en la unidad y fíjela.



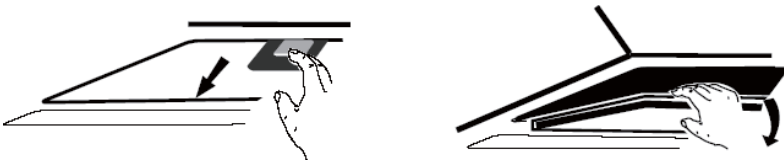
- o "Por favor, tenga en cuenta lo siguiente: La salida de plástico en forma de T y las lengüetas en V no se pueden utilizar al mismo tiempo. Puede utilizarlos de dos maneras: 1) Añada la lengüeta en V a la salida existente; 2) Utilice la salida de plástico en forma de T sin añadir la lengüeta en V."
- o "Nota: El producto dispone de una lengüeta en V como opcional. Este accesorio no es obligatorio para la instalación, funcionamiento y uso del producto."

## **INSTALACIÓN (SALIDA INTERIOR)**

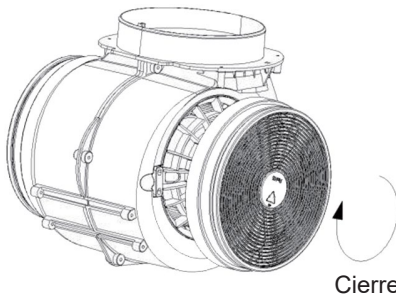
Si no tiene una salida al exterior, no se requiere un tubo de escape y la instalación es similar a la que se muestra en la sección "INSTALACIÓN (SALIDA EXTERIOR)".



El filtro de carbón activo puede utilizarse para atrapar olores.  
 Para instalar el filtro de carbón activo, primero hay que quitar el filtro para grasa. Presione el cierre y tire de él hacia abajo.



Enchufe el filtro de carbón activo en el electrodoméstico y gírelo en el sentido de las agujas del reloj. Repita lo mismo en el otro lado.



**NOTA:**

- o *Asegúrese de que el filtro esté bien cerrado. De lo contrario, se aflojaría y supondría un peligro.*
- o *Cuando el filtro de carbón activado se monta, la potencia de aspiración se reduce.*



## DESCRIPCIÓN DE LOS COMPONENTES

### CONFIGURACIÓN 1

1

2

3

B

B<sup>+</sup>



### FUNCIONAMIENTO

1

#### **Botón de baja velocidad**

Se usa para la ventilación de la cocina. Es adecuado para cocinar a fuego lento y para elaboraciones que no producen mucho vapor.

2

#### **Botón de velocidad media**

La velocidad del flujo de aire es ideal para la ventilación de una cocina estándar.

3

#### **Botón de alta velocidad**

Cuando se produzca una alta densidad de humo o vapor, pulse el botón de alta velocidad para una ventilación eficaz.

B

#### **Boost 1(velocidad 4)**

Pulse el botón de velocidad b 1, la retroiluminación del botón de velocidad B está encendida y la campana de la cocina está funcionando en modo boost (alta potencia);

B<sup>+</sup>

#### **Boost 2(velocidad 5)**

Pulse el botón de velocidad b 2, la retroiluminación del botón de velocidad B+ está encendida y la campana de la cocina está funcionando en modo boost;



#### **Luz**

#### **Pulse brevemente para encender y apagar la iluminación**

**Temporizador rápido:** Mantenga pulsado el botón de luz durante 3 segundos, los botones de velocidad del ventilador parpadearán y entrarán en una cuenta atrás de 5 minutos, después de la cual el motor y la luz se apagarán automáticamente con tres sonidos de zumbador.



#### **Conexión wifi**

Pulse prolongadamente el icono wifi y entre en modo de conexión: si el icono wifi sigue parpadeando significa que la conexión está en curso, si está encendido significa que está conectada o en modo standby; pulse prolongadamente el icono wifi de nuevo y la conexión se detendrá;

## CONFIGURACIÓN 2

1

2

3

B



### Modo standby

Después de enchufar el aparato, la iluminación se pone en **MODO STANDBY**.

1

#### Botón de baja velocidad

Se usa para la ventilación de la cocina. Es adecuado para cocinar a fuego lento y para elaboraciones que no producen mucho vapor.

2

#### Botón de velocidad media

La velocidad del flujo de aire es ideal para la ventilación de una cocina estándar.

3

#### Botón de alta velocidad

Cuando se produzca una alta densidad de humo o vapor, pulse el botón de alta velocidad para una ventilación eficaz.

B

#### Función Booster (potencia extra)

Esta campana tiene una función de potencia extra. Para activar el booster, pulse **B** a la velocidad 4, entre en la velocidad más alta mientras la campana está en uso y aumentará la velocidad durante 5 minutos, antes de reducir la velocidad de nuevo.



#### Luz

#### Pulse brevemente para encender y apagar la iluminación

**Temporizador rápido:** Mantenga pulsado el botón de luz durante 3 segundos, los botones de velocidad del ventilador parpadearán y entrarán en una cuenta atrás de 5 minutos, después de la cual el motor y la luz se apagarán automáticamente con tres sonidos de zumbador.



#### Conexión wifi

Pulse prolongadamente el icono wifi y entre en modo de conexión: si el icono wifi sigue parpadeando significa que la conexión está en curso, si está encendido significa que está conectada o en modo standby; pulse prolongadamente el icono wifi de nuevo y la conexión se detendrá;

## Descarga de la aplicación hOn



En primer lugar, debería descargar la app hOn e instalarla en su dispositivo portátil. Entonces podrá registrar su campana.



### NOTA

Get ready to add your appliance

- 1 Stay close to your appliance
- 2 While in front of your appliance, ensure that your smartphone is connected to a 2.4GHz Wi-Fi network with a stronger signal

**CHANGE WI-FI SETTINGS**

- 3 Public networks are not allowed due to low security and reliability.
- 4 Prepare to enter your Home Wi-Fi password.

### REGISTRO DE UNA CAMPANA HAIER



*La imagen de la campana es meramente indicativa. Podría no corresponder a la realidad.*

1- Pulse el botón wifi hasta que el icono comience a parpadear; cuando se haya finalizado el emparejamiento, el icono wifi se mostrará encendido.

## **MANTENIMIENTO**

Antes de la limpieza, apague el electrodoméstico y desenchúfelo.

### **I. Limpieza regular**

Utilice un paño suave humedecido con agua jabonosa tibia o detergente de uso doméstico. No utilice estropajos metálicos, productos químicos, material abrasivo o un cepillo rígido para limpiar el electrodoméstico.

### **II. Limpieza mensual del filtro para grasa**

*FUNDAMENTAL: Limpiar el filtro cada mes puede evitar riesgos de incendio.*

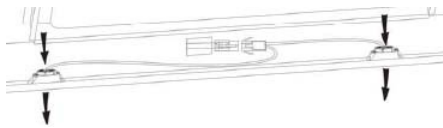
En el filtro se acumula grasa, humo, polvo, etc. por lo que la eficacia de la campana depende en gran parte del estado del filtro. Si no se limpia, los restos de grasa (potencialmente inflamables) se saturarán en el filtro. Límpielo con detergente de uso doméstico.

### **III. Limpieza anual del filtro de carbón activo**

SOLAMENTE se aplica a unidades instaladas como unidad de recirculación (sin ventilación al exterior). Este filtro atrapa olores y debe ser reemplazado al menos una vez al año dependiendo de la frecuencia con la que se utilice la campana de la cocina.

### **IV. Cambio de la bombilla**

Retire los tornillos del cristal, y el cristal de la campana. Encuentre la bombilla que desea sustituir, se encuentra en la lámpara que está dentro de la sección expuesta de la cubierta.



Desconecte el punto de cableado de la luz y retire los portalámparas y el cableado de la campana. Importante: No es posible reemplazar las bombillas individualmente, hay que considerar las bombillas, los portalámparas y el cableado como un conjunto. (Luz LED: máx. 1,5 W)

Coloque las bombillas de recambio, los portalámparas y el cableado de la misma manera que los originales. A continuación, reconecte el punto de cableado de la luz.

Vuelva a colocar el vidrio de la campana y apriete los tornillos del vidrio. Asegúrese de que los tornillos estén bien apretados.

## **RESOLUCIÓN DE PROBLEMAS**

<b>Fallo</b>	<b>Causa</b>	<b>Solución</b>
La lámpara se enciende, pero el ventilador no funciona.	La pala del ventilador está atascada.	Apague el electrodoméstico y deje que el personal de asistencia proceda a repararlo.
	El motor está dañado.	
Tanto la lámpara como el ventilador no funcionan.	La bombilla halógena se ha fundido.	Sustituya la bombilla con una con la clasificación correcta.
	El cable de alimentación se suelta.	Vuelva a conectarlo al suministro eléctrico.
El electrodoméstico vibra mucho.	La pala del ventilador está dañada.	Apague el electrodoméstico y deje que el personal de asistencia proceda a repararlo.
	El motor del ventilador no está bien fijado.	Apague el electrodoméstico y deje que el personal de asistencia proceda a repararlo.
	El electrodoméstico no está bien sujeto en el soporte.	Retire la unidad y compruebe si el soporte está en la ubicación correcta.
La aspiración no es suficientemente potente.	Demasiada distancia entre el electrodoméstico y la placa de cocción.	Reajuste la distancia a 65-75 cm

Tecnología	Wifi
Estándar	802.11 b/g/n
Banda/s de frecuencia [MHz]	2400 MHz - 2483,5 MHz
Potencia máxima [mW]	100 mW

<b>Información de producto para equipos en red</b>	
consumo de energía del producto en modo standby en red si está conectado al suministro eléctrico los puertos de red están conectados y todos los puertos de red inalámbrica están activados:	2W
Cómo activar el puerto de red inalámbrica:	Si la campana se ha registrado en la app, active la campana para activar el puerto de red inalámbrica.
Cómo desactivar el puerto de red inalámbrica:	Si la campana se ha registrado en la app, desactive la campana para desactivar el puerto de red inalámbrica. Si la campana no se ha registrado en la app, el puerto de red inalámbrica se desactivará aunque la campana esté activada.

## **SERVICIO DE ASISTENCIA AL CLIENTE**

Si no puede identificar la causa de la anomalía de funcionamiento, apague el aparato y póngase en contacto con el Servicio de Asistencia.

**NÚMERO DE SERIE DEL PRODUCTO.** ¿Dónde puedo encontrarlo?  
Es importante que informe al Servicio de Asistencia del código de su producto y su número de serie (un código de 16 caracteres que comienza con el número 3); este se encuentra en el certificado de garantía o en la placa de datos situada en el electrodoméstico.

Ayudará a evitar viajes inútiles a los técnicos, ahorrando así (y lo que es más importante) los correspondientes cargos por llamadas.



Este electrodoméstico tiene la marca de conformidad con la Directiva europea 2012/19/UE sobre residuos de aparatos eléctricos y electrónicos (RAEE).

RAEE contiene tanto sustancias contaminantes (que pueden tener consecuencias negativas para el medio ambiente) y componentes básicos (que pueden reutilizarse). Es importante someter los RAEE a procedimientos específicos para eliminar y desechar de manera correcta todos los contaminantes, además de recuperar y reciclar todos los materiales.

Todos personalmente somos importantes cuando se trata de garantizar que los RAEE no se conviertan en un problema ambiental. Para esto, es fundamental respetar algunas reglas básicas:

Los RAEE no deben tratarse como residuos domésticos.

Los RAEE deben entregarse en los puntos de recogida pertinentes que gestionan los municipios o las empresas autorizadas. En algunos países existe un servicio de recogida de RAEE de gran tamaño.

En muchos países se puede entregar el electrodoméstico antiguo al comprar otro nuevo en el establecimiento, que deberá recogerlo de forma gratuita siempre que se trate de un aparato equivalente y que tenga las mismas funciones que el suministrado.

# NÁVOD K INSTALACI A POUŽITÍ

## **OBSAH**

ÚVOD.....	87
BEZPEČNOSTNÍ OPATŘENÍ.....	87
ELEKTRICKÁ INSTALACE.....	89
INSTALACE (MONTÁŽ NA ZEĎ).....	91
INSTALACE ODSAVAČE.....	92
SEZNAM STANDARDNÍHO INSTALAČNÍHO PŘÍSLUŠENSTVÍ.....	97
INSTALACE (DEFLEKTOR VZDUCHU PRO TVAR T, ZAKŘIVENÉ SKLO, MODELY S PLOCHÝM SKLEM).....	98
INSTALACE (ODVĚTRÁVÁNÍ DOVNITŘ).....	100
POPIS SOUČÁSTÍ.....	101
ÚDRŽBA.....	104
ŘEŠENÍ PROBLÉMŮ.....	105
ZÁKAZNICKÁ ASISTENČNÍ SLUŽBA.....	106

## **ÚVOD**

### **Děkujeme vám, že jste si vybrali tento odsavač nad sporák.**

Návod k obsluze je sestaven tak, aby obsahoval všechny potřebné pokyny týkající se instalace, použití a údržby spotřebiče. Přečtěte si tento návod pečlivě ještě před instalací a použitím, abyste spotřebič používali správně a bezpečně.

Odsavač par je vyrobený z vysoce kvalitních materiálů a má aerodynamický design. Odsavač par je vybavený silným elektromotorem a odstředivým ventilátorem. Vyznačuje se velkým sacím výkonem, nízkou provozní hlučností, nepřilnavým tukovým filtrem a jednoduchou montáží.

Candy Hoover Group Srl tímto prohlašuje, že rádiové zařízení je v souladu se směrnicí 2014/53/EU a s příslušnými zákonnými požadavky (pro trh UKCA). Úplné znění prohlášení o shodě je k dispozici na této internetové adrese: [www.candy-group.com](http://www.candy-group.com)

## **BEZPEČNOSTNÍ OPATŘENÍ**

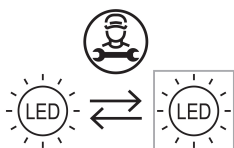
- Nikdy nedovolte dětem, aby obsluhovaly tento odsavač.
- Odsavač par je určen pouze pro domácí použití, není vhodný pro grilování, pečení ani jiná komerční využití.
- Odsavač par včetně filtru je třeba pravidelně čistit a udržovat ho tím v řádném provozním stavu.
- Čistěte odsavač par podle návodu k obsluze, a předcházejte tak nebezpečí vznícení odsavače.
- Nedovolte přímé pečení na plynovém sporáku. Zajistěte v kuchyni vyhovující proudění vzduchu.
- Před připojením tohoto spotřebiče zkontrolujte, zda není poškozen napájecí kabel. Poškozený napájecí kabel smí vyměňovat pouze kvalifikovaný servisní personál.
- Pokud se odsavač používá společně s jinými spotřebiči spalujícími plyn nebo jiná paliva, musí být v místnosti zajištěno dostatečné větrání.
- Vzduch se nesmí odvádět do kouřovodu, který se používá k odtahu spalin ze spotřebičů spalujících plyn nebo jiná paliva.
- Musejí být dodrženy předpisy týkající se vypouštění vzduchu.
- Děti musí být pod dohledem, aby se zajistilo, že si se spotřebičem nebudou hrát.
- Pod odsavačem nepřipravujte flambovaná jídla.
- Odsavač není určen k instalaci nad varnou desku s více než čtyřmi plotýnkovými prvky.



- Pokud se odsavač používá společně s jinými spotřebiči spalujícími plyn nebo jiná paliva, musí být v místnosti zajištěno dostatečné větrání (nevztahuje se na spotřebiče, které pouze vypouštějí vzduch zpět do místnosti).
- Podrobnosti o způsobu a frekvenci čištění.
- Pokud čištění není prováděno v souladu s pokyny, hrozí nebezpečí vzniku požáru.
- Pod odsavačem nepřipravujte flambovaná jídla.
- UPOZORNĚNÍ: Přístupné části se při použití s varnými spotřebiči mohou zahřát.

### Nebezpečí úrazu elektrickým proudem

- Tento odsavač zapojte pouze do řádně uzemněné zásuvky. V případě pochybností požádejte o radu kvalifikovaného technika.
- Nedodržením těchto pokynů můžete způsobit úmrtí, požár nebo úraz elektrickým proudem.



Lampa použitá v tomto produktu není vhodná k použití při osvětlení místnosti. Účelem této žárovky je poskytnout osvětlení pro používání výrobku.

## Elektrická instalace

Veškerá instalace musí být provedena odborně způsobilou osobou nebo kvalifikovaným elektrikářem. Před připojením síťového napájení se ujistěte, že síťové napětí odpovídá napětí na typovém štítku.

### Přímé připojení

Spotřebič musí být připojen přímo k síti pomocí vícepólového jističe s minimální mezerou 3 mm mezi kontakty.

Instalační technik musí zajistit provedení správného elektrického připojení v souladu se schématem zapojení.

Kabel nesmí být nikde ohnutý ani stlačený.


Pravidelně kontrolujte zástrčku a napájecí kabel, zda nejsou poškozené. Pokud je napájecí kabel poškozen, musí být nahrazen speciálním kabelem nebo sestavou, která je k dispozici u výrobce nebo jeho servisního zástupce.

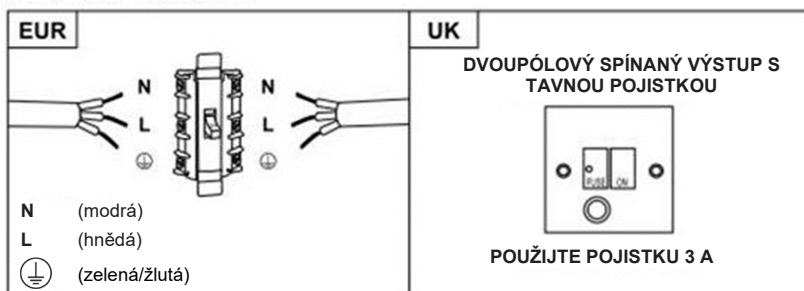
### VAROVÁNÍ: Jedná se o spotřebič třídy I a MUSÍ být uzemněn

Tento spotřebič je dodáván se 3žilovým síťovým kabelem s následujícími barvami:

hnědá = L nebo živý,

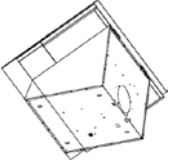



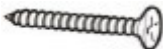



modrá = N nebo neutrální,

zelená a žlutá = E nebo uzemňovací .



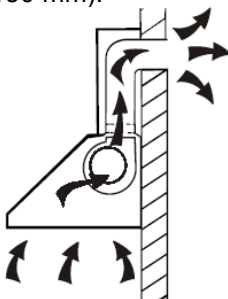
Pojistka musí být dimenzována na 3 A.

## Seznam standardního instalačního příslušenství

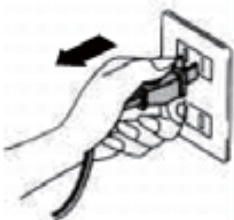
Spec.	Ilustrační obrázek	Množ.
Tělo odsavače		1
Spodní komín (500 mm)		1
Horní komín (500 mm)		1
Držák horního komínu		1
Držák spodního komínu		1
Držák odsavače par		1
Ø8 hmoždinky Ø8×Ø6 bílá barva		9
Šroub (ST4 * 30 mm)		9
Šroub (ST4 * 8 mm)		6
Vývod vzduchu		1
Uhlíkový filtr		2

## INSTALACE (montáž na zed')

Pokud máte vývod ven, můžete odsavač par připojit podle níže uvedeného obrázku pomocí odtahového potrubí (smaltové, hliníkové, nehořlavé ohebné potrubí s vnitřním průměrem 150 mm).



1. Před instalací odsavač vypněte a odpojte ho ze zásuvky.



2. Odsavač par funguje nejlépe, pokud je umístěn ve vzdálenosti 65~75 cm nad varnou plochou.



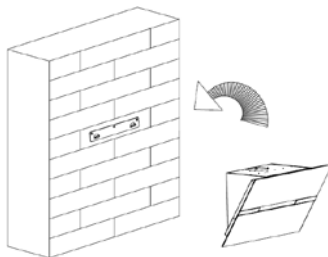
## **INSTALACE ODSAVAČE**

Umístěte odsavač do požadované výšky s ohledem na minimální výšku nad varnou deskou.

Označte umístění nástěnné konzoly. (Umístěte otvory 700 až 800 mm nad pracovní deskou). Sejměte odsavač a umístěte nástěnnou konzolu tak, aby odpovídala umístění otvorů na zdi.

Vyvrtejte 3 otvory do zdi pro vložení příslušného upevňovacího systému (šroub ST4 x 30 mm).

Zavěste odsavač do drážek nástěnné konzoly.

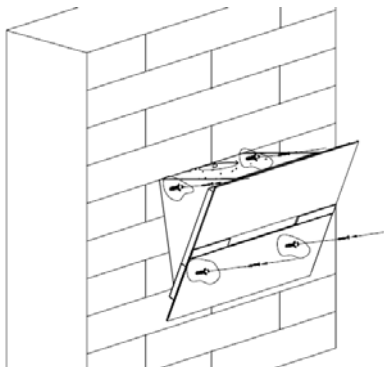


## INSTALACE ODSAVAČE

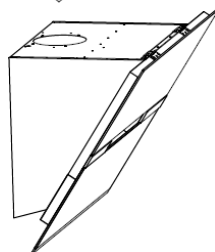
Jakmile je odsavač na místě, vyhledejte umístění 4 dalších šroubů pro montáž na zeď, jak je znázorněno na následujícím schématu.

Sejměte odsavač, abyste mohli udělat otvory do zdi, a namontujte hmoždinky.

Tělo odsavače zajistěte 4 šrouby o průměru 4 mm pomocí hmoždinek vhodných pro vaši zeď.



Je-li vybrán režim odsávání, umístěte potrubí odtahu vzduchu na vývod vzduchu, jak je znázorněno na obrázku.

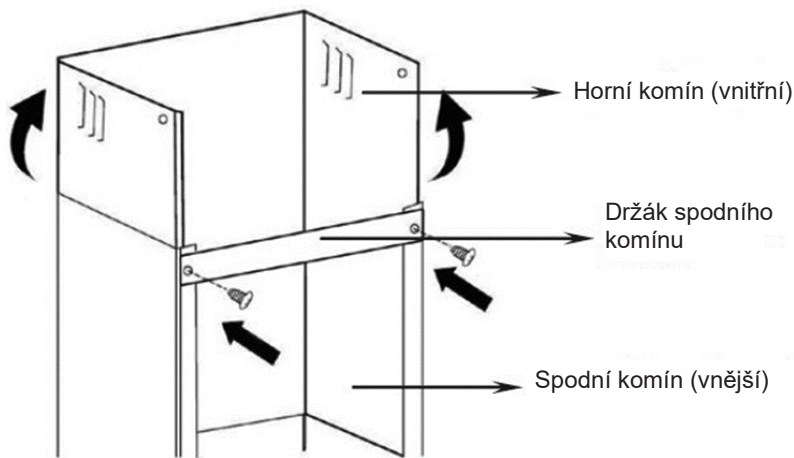


## INSTALACE ODSAVAČE

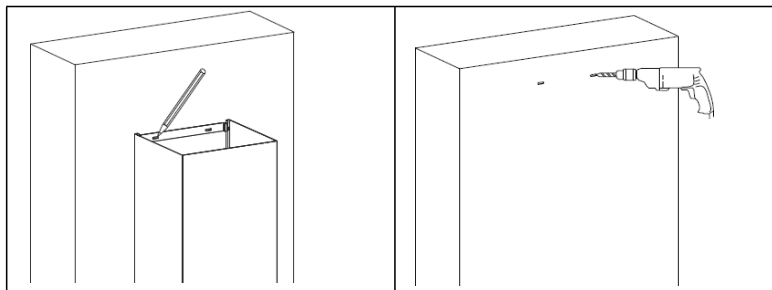
Připevněte podporu spodního komínu ke spodnímu komínu, jak je znázorněno na obrázku. Použijte 2 šrouby ST4 x 8 mm.

(Šrouby příliš neutahujte, ujistěte se, že horní komín lze snadno zasunout do spodního komínu)

Vložte horní komín do spodního komínu.



Umístěte spodní komín do spotřebiče, poté označte otvory na zdi.

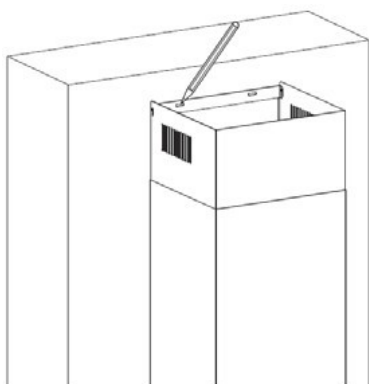
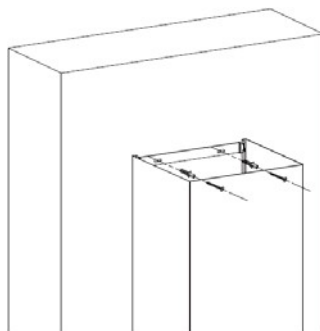


Demontujte spodní komín, poté vyvrtejte otvory do zdi: otvor pro průměr šroubu  $\varnothing$  8 mm.

Použijte hmoždinky vhodné pro vaši zeď.

## INSTALACE ODSAVAČE

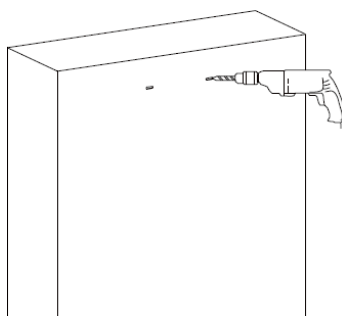
Nasadte spodní komín, poté ho přišroubujte ke zdi pomocí 2 šroubů o průměru  $\varnothing$  8 mm.



Poté vytáhněte horní komín nahoru do požadované výšky. Označte umístění montážních otvorů podpěry horního komínu.

Spusťte horní komín a poté vyvrtejte otvory do zdi.

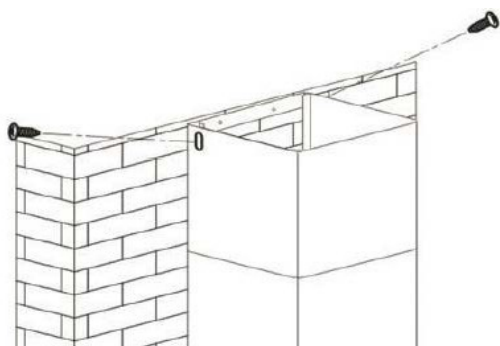
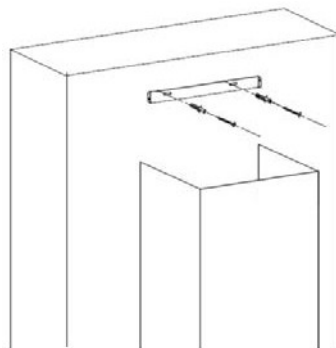
Vložte hmoždinky vhodné pro vaši zeď.





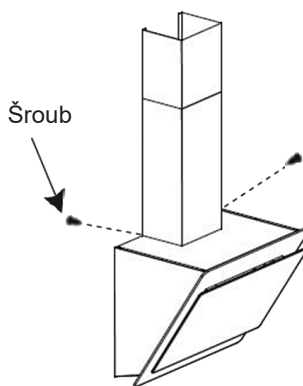
## INSTALACE ODSAVAČE

Upevněte nástěnnou konzolu horního komínu ke zdi pomocí zvolených hmoždinek (doporučujeme šrouby 8 mm).








Upevněte spodní komín k výstupkům kuchyňského odsavače pomocí 2 šroubů ST4 x 8 mm.

Znovu sestavte horní komín a připevněte ho k nástěnné konzole pomocí 2 šroubů ST4 x 8 mm.



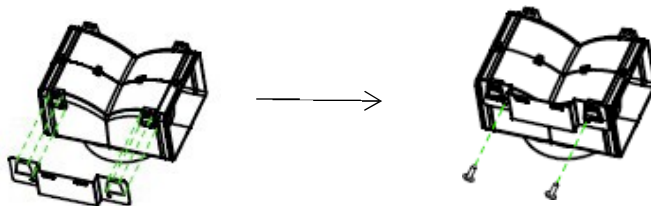
## Seznam standardního instalačního příslušenství

Spec.	Ilustrační obrázek	Množ.
Deflektor vzduchu		1
Držák		1
Ø 8 hmoždinky Ø 8×Ø 6 bílá barva		2
Šrouby ST4,0 × 30		2
Šrouby ST3,5 × 12		2

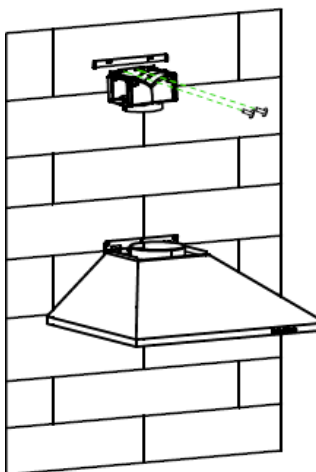
## INSTALACE (DEFLEKTOR VZDUCHU PRO TVAR T, ZAKŘIVENÉ SKLO, MODELY S PLOCHÝM SKLEM)

Deflektor vzduchu je uveden jako součást dodávky, nikoli volitelný.

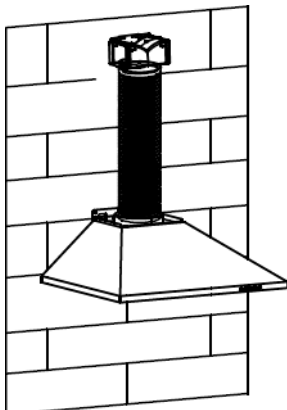
1. Připevněte konzolu k plastovému vývodu ve tvaru T pomocí 2 ks dodaných šroubů ST3,5 x 12 mm, jak je znázorněno níže:



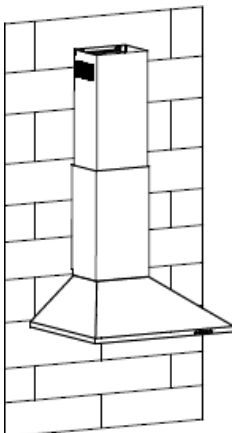
2. Vyvrtejte do zdi 2 otvory pro umístění hmoždinek, poté přišroubujte a utáhněte konzolu na zeď pomocí 2 ks dodaných šroubů ST4 x 30 mm.



3. Připojte odtahové potrubí k vývodu vzduchu z odsavače par, jak je znázorněno níže:



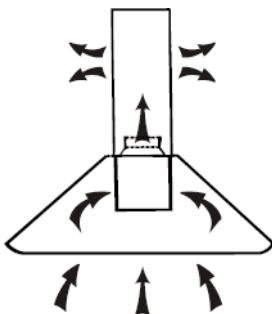
4. Namontujte komín na jednotku a upevněte ho.



- o “Vezměte prosím na vědomí: Plastový vývod ve tvaru T a klapky ve tvaru V nelze používat současně. Můžete je používat dvěma způsoby: 1) Přidejte klapku ve tvaru V na stávající vývod; 2) Použijte plastový vývod ve tvaru T, nepřidávejte klapku ve tvaru V.
- o “Poznámka: S výrobkem je jako příslušenství dodávána klapka ve tvaru V. Toto příslušenství není pro instalaci, provoz a používání výrobku povinné.

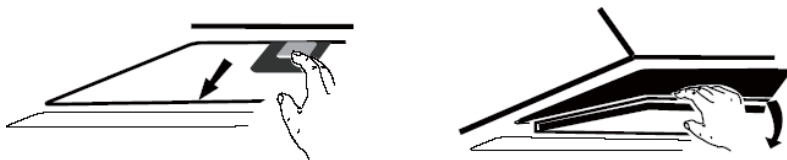
## INSTALACE (ODVĚTRÁVÁNÍ DOVNITŘ)

Pokud nemáte větrací otvor směrem ven, odtahové potrubí není nutné a instalace bude podobná jako na obrázku v části „INSTALACE (ODVĚTRÁVÁNÍ VEN)“.

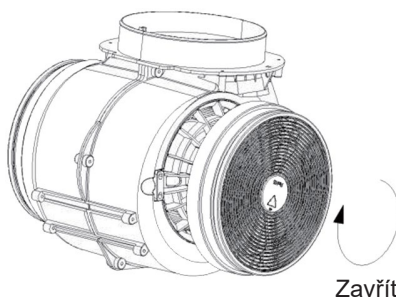


K zachycení pachů lze použít filtr s aktivním uhlím.

Při instalaci filtru s aktivním uhlím je třeba nejprve odmontovat tukový filtr. Stiskněte pojistku a stáhněte ho směrem dolů.



Vložte filtr s aktivním uhlím do odsavače a otočte jím ve směru hodinových ručiček. Stejný postup opakujte na druhé straně.



### **POZNÁMKA:**



- o *Ujistěte se, že je filtr pevně zajištěný. V opačném případě by se mohl uvolnit a představovat nebezpečí.*
- o *Když je osazen filtr s aktivním uhlím, sací výkon se sníží.*

# POPIS SOUČÁSTÍ

## KONFIGURACE 1

1      2      3      B      B<sup>+</sup>            

### PROVOZ

- 1 Tlačítko nízké rychlosti**  
Používá se na odvětrávání do kuchyně. Je vhodný pro dušení pokrmů a vaření, při kterém nevzniká velké množství páry.
- 2 Tlačítko střední rychlosti**  
Rychlost proudění vzduchu je ideální pro odvětrávání při standardním vaření.
- 3 Tlačítko vysoké rychlosti**  
Při vysoké hustotě kouře nebo páry stiskněte tlačítko vysoké rychlosti, které zajistí vysokou účinnost odvětrávání.
- B Boost 1 (rychlost 4)**  
Stiskněte tlačítko rychlosti b 1, rozsvítí se podsvícení tlačítka rychlosti B a odsavač par bude pracovat v intenzivním režimu.
- B<sup>+</sup> Boost 2 (rychlost 5)**  
Stiskněte tlačítko rychlosti b 2, rozsvítí se podsvícení tlačítka rychlosti B<sup>+</sup> a odsavač par bude pracovat v intenzivním režimu.
-  **Osvětlení**  
**Krátké stisknutí pro zapnutí a vypnutí osvětlení**  
**Rychlý časovač:** Dlouhé stisknutí tlačítka osvětlení po dobu 3 sekund, tlačítka otáček ventilátoru budou blikat a probíhá odpočet 5 minut, po 5 minutách se motor a osvětlení automaticky vypnou a bzučák třikrát zazní.
-  **Připojení Wi-Fi**  
Dlouhé stisknutí ikony Wi-Fi a přechod do režimu připojení: podsvícení ikony Wi-Fi stále bliká a indikuje, že probíhá připojení, podsvícení ikony Wi-Fi svítí a indikuje, že připojení je navázáno, to stejné platí pro pohotovostní režim; opětovně dlouhé stisknutí ikony Wi-Fi ukončí připojení.

## KONFIGURACE 2

1

2

3

B



### POHOTOVOSTNÍ REŽIM

Po zapojení vše svítí, systém je v **POHOTOVOSTNÍM REŽIMU**.

1

#### **Tlačítko nízké rychlosti**

Používá se na odvětrávání do kuchyně. Je vhodný pro dušení pokrmů a vaření, při kterém nevzniká velké množství páry.

2

#### **Tlačítko střední rychlosti**

Rychlost proudění vzduchu je ideální pro odvětrávání při standardním vaření.

3

#### **Tlačítko vysoké rychlosti**

Při vysoké hustotě kouře nebo páry stiskněte tlačítko vysoké rychlosti, které zajistí vysokou účinnost odvětrávání.

B

#### **Funkce posilovače**

Tento odsavač je vybavený funkcí zvýšení otáček na maximum. Chcete-li aktivovat posilovač, stiskněte **B** na rychlost 4, zadejte nejvyšší rychlost, když je odsavač v provozu, a rychlost se zvýší na dobu 5 minut, než se opět zpomalí.



#### **Osvětlení**

##### **Krátké stisknutí pro zapnutí a vypnutí osvětlení**

**Rychlý časovač:** Dlouhé stisknutí tlačítka osvětlení po dobu 3 sekund, tlačítka otáček ventilátoru budou blikat a probíhá odpočet 5 minut, po 5 minutách se motor a osvětlení automaticky vypnou a bzučák třikrát zazní.



#### **Připojení Wi-Fi**

Dlouhé stisknutí ikony Wi-Fi a přechod do režimu připojení: podsvícení ikony Wi-Fi stále bliká a indikuje, že probíhá připojení, podsvícení ikony Wi-Fi svítí a indikuje, že připojení je navázáno, to stejné platí pro pohotovostní režim; opětovné dlouhé stisknutí ikony Wi-Fi ukončí připojení.

## Stáhněte si aplikaci hOn

Nejprve je třeba, abyste si stáhli aplikaci hOn a nainstalovali ji do svého přenosného zařízení. Poté zaregistruje svůj odsavač.



### POZNÁMKA

#### Get ready to add your appliance

- 1 Stay close to your appliance
- 2 While in front of your appliance, ensure that your smartphone is connected to a 2.4GHz Wi-Fi network with a stronger signal

[CHANGE WI-FI SETTINGS](#)

- 3 Public networks are not allowed due to low security and reliability.
- 4 Prepare to enter your Home Wi-Fi password.

### REGISTRACE ODSAVAČE HAIER



*Jediným účelem obrázku je představení odsavače. Nemusí být zcela vypovídající.*



1 – Držte stisknuté tlačítko Wi-Fi, dokud ikona nezačne blikat. Po dokončení párování se ikona Wi-Fi rozsvítí.

## **ÚDRŽBA**

Před čištěním vypněte odsavač a vytáhněte zástrčku.

### **I. Pravidelné čištění**

Používejte měkký hadřík navlhčený vlažnou vodou s jemným saponátem nebo čisticím prostředkem pro domácnosti. Nikdy nepoužívejte k čištění spotřebiče kovové drátěnky, chemický či abrazivní prostředek nebo tuhý kartáček.

### **II. Měsíční čištění tukového filtru**

*ZÁSADNÍ: Vyčištění filtru jednou za měsíc může zabránit nebezpečí požáru.*

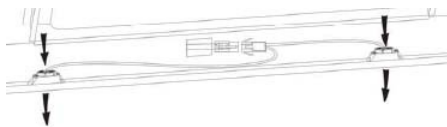
Filtr zachycuje tuk, kouř a prach... takže filtr přímo ovlivňuje účinnost odsavače par. Pokud ho nevyčistíte, budou zbytky tuku (potenciálně hořlavé) filtr zanášet. Vyčistěte ho čisticím prostředkem pro domácnosti.

### **III. Roční čištění filtru s aktivním uhlím**

Platí **POUZE** pro jednotku, která je instalovaná jako recirkulační jednotka (bez odvětrávání ven). Tento filtr zachycuje pachy a musí být vyměňován alespoň jednou ročně v závislosti na tom, jak často se odsavač par používá.

### **IV. Výměna žárovky**

Vyšroubujte šrouby a sejměte krycí sklo. Najděte žárovku, kterou je třeba vyměnit. Najdete ji v osvětlovacím tělese uvnitř odkryté části krytu odsavače.



Odpojte svorkovnici osvětlení a vytáhněte objímky žárovek včetně vodičů z odsavače. **Důležité:** Žárovky nelze měnit jednotlivě, bude nutné opatřit si žárovky, objímky žárovek a vodiče jako jeden celek. (LED žárovka: MAX 1,5 W)

Namontujte náhradní žárovky, objímky žárovek a vodiče na místa původních dílů. Poté znovu zapojte svorkovnici osvětlení.

Znovu nasadte sklo odsavače a upevněte skleněné šrouby. Ujistěte se, že šrouby jsou zcela utaženy.

## ŘEŠENÍ PROBLÉMŮ

Porucha	Příčina	Řešení
Osvětlení zapnuté, ale ventilátor nefunguje.	Lopatka ventilátoru je vzpříčená.	Vypněte jednotku a nechte ji opravit výhradně kvalifikovaným servisním personálem.
	Motor je poškozený.	
Osvětlení ani ventilátor nefungují.	Halogenová žárovka je spálená.	Vyměňte žárovku za stejný typ.
	Volný napájecí kabel.	Zastrčte ho znovu do síťové zásuvky.
Závažné vibrace odsavače.	Lopatka ventilátoru je poškozená.	Vypněte jednotku a nechte ji opravit výhradně kvalifikovaným servisním personálem.
	Motor ventilátoru není řádně upevněný.	Vypněte jednotku a nechte ji opravit výhradně kvalifikovaným servisním personálem.
	Odsavač není správně zavěšený na konzole.	Sundejte odsavač a zkontrolujte správné umístění konzoly.
Sací výkon je nízký.	Příliš velká vzdálenost mezi odsavačem a varnou plochou.	Nastavte vzdálenost na 65–75 cm.

Technologie	Wi-Fi
Norma	802.11 b/g/n
Frekvenční pásmo(-a) [MHz]	2400 MHz–2483,5 MHz
Maximální výkon [mW]	100 mW

Informace o produktu pro zařízení v síti	
Spotřeba elektrické energie výrobku v pohotovostním režimu při připojení k síti, pokud jsou všechny porty kabelové sítě připojeny a všechny porty bezdrátové sítě jsou aktivovány:	2 W
Jak aktivovat port bezdrátové sítě:	Pokud byl odsavač zaregistrován pomocí APLIKACE, aktivujete port bezdrátové sítě zapnutím odsavače.
Jak deaktivovat port bezdrátové sítě:	Pokud byl odsavač zaregistrován pomocí APLIKACE, deaktivujete port bezdrátové sítě vypnutím odsavače. Pokud nebyl odsavač zaregistrován pomocí APLIKACE, bude port bezdrátové sítě deaktivován i při zapnutém odsavači.

## ZÁKAZNICKÁ ASISTENČNÍ SLUŽBA

Pokud nemůžete zjistit příčinu provozní anomálie, vypněte spotřebič a obraťte se na asistenční službu.

**SÉRIOVÉ ČÍSLO PRODUKTU.** Kde ho najdu?

Je důležité, abyste asistenční službě podali informaci o kódu vašeho výrobku a jeho sériovém čísle (16místném kódu, který začíná číslem 3); ten naleznete na záručním listu nebo na štítku s údaji umístěném na spotřebiči.

Pomůže to vyhnout se zbytečným cestám techniků, čímž (což je nejdůležitější) ušetříte za související poplatky za přivolání.



Tento spotřebič je označen v souladu s evropskou směrnicí 2012/19/EU o odpadních elektrických a elektronických zařízeních (OEEZ).

OEEZ obsahuje jak znečišťující látky (které mohou mít negativní dopady na životní prostředí), tak základní složky (které lze znovu použít). Je nutné provést speciální zpracování OEEZ, aby se odstranily a správně zlikvidovaly všechny znečišťující látky a obnovily a zrecyklovaly všechny materiály.

Jednotlivci mohou hrát důležitou roli při zajišťování toho, aby se spotřebič podléhající OEEZ nestal zátěží pro životní prostředí. Je nezbytné dodržovat několik základních pravidel:

Spotřebič podléhající OEEZ se nesmí likvidovat jako domovní odpad;

Spotřebič podléhající OEEZ se musí předat na příslušné sběrné místo pod správou obce nebo autorizovaných společností. V mnoha zemích může být v případě velkých spotřebičů podléhajících OEEZ k dispozici domovní sběr.

V mnoha zemích, když si zakoupíte nový spotřebič, můžete starý spotřebič vrátit prodejci, který ho musí přijmout zdarma na základě výměny kus za kus, pokud je zařízení stejného typu a má stejné funkce jako dodané zařízení.

# NÁVOD NA INŠTALÁCIU A POUŽITIE

## **OBSAH**

ÚVOD.....	108
BEZPEČNOSTNÉ OPATRENIA.....	108
ELEKTRICKÁ INŠTALÁCIA .....	110
INŠTALÁCIA (MONTÁŽ NA STENU) .....	112
INŠTALÁCIA DIGESTORA.....	113
ZOZNAM ŠTANDARDNÉHO INŠTALAČNÉHO PRÍSLUŠENSTVA .....	118
INŠTALÁCIA(VZDUCHOVÝ DEFLEKTOR PRE MODELY TVARU T, ZAKRIVENÉ SKLO, PLOCHÉ SKLO) .....	119
INŠTALÁCIA (VNÚTORNÉ VETRANIE) .....	121
POPIS KOMPONENTOV .....	122
ÚDRŽBA .....	125
RIEŠENIE PROBLÉMOV .....	126
ASISTENČNÁ SLUŽBA PRE ZÁKAZNÍKOV.....	127

## **ÚVOD**

### **Ďakujeme, že ste si vybrali tento digestor.**

Tento návod vám má poskytnúť všetky potrebné pokyny ohľadne inštalácie, používania a údržby prístroja. Pre správu a bezpečnú prevádzku zariadenia si starostlivo prečítajte tento návod ešte pred inštaláciou a používaním.

Digestor je vyrobený z vysokokvalitných materiálov a má moderný dizajn. Je vybavený vysokovýkonným elektromotorom a odstredivým ventilátorom a poskytuje tiež silný sací výkon, prevádzku s nízkou hlučnosťou, nelepivý tukový filter a jednoduchú montáž.

Týmto Candy Hoover Group Srl vyhlasuje, že rádiové zariadenie je v súlade so smernicou 2014/53/EÚ a príslušnými zákonnými požiadavkami (pre trh UKCA). Úplné znenie vyhlásenia o zhode je k dispozícii na tejto internetovej adrese: [www.candy-group.com](http://www.candy-group.com)

## **BEZPEČNOSTNÉ OPATRENIA**

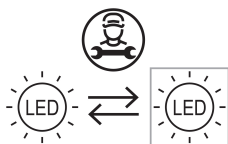
- Nikdy nedovoľte, aby zariadenie obsluhovali deti.
- Digestor je určený len na domáce použitie, nie je vhodný na grilovanie, opekanie či iné komerčné účely.
- Digestor aj príslušný filter sa musí pravidelne čistiť, aby boli v dobrom funkčnom stave.
- Vyčistíte digestor podľa návodu na použitie a dávajte pozor, aby zariadenie nebolo vystavené nebezpečenstvu ohňa.
- Priame pečenie pomocou plynového variča je zakázané. V kuchyni udržiajte dobré prúdenie vzduchu.
- Pred pripojením tohto zariadenia skontrolujte, či nie je poškodený napájací kábel. Poškodený napájací kábel môže vymeniť iba kvalifikovaný servisný pracovník.
- Počas používania digestora súčasne so zariadeniami, ktoré spaľujú plyn alebo iné palivá, treba mať dostatočné vetranie miestnosti.
- Vzduch sa nesmie odvádzať do komína, ktorý sa používa na odvádzanie výparov zo zariadení, ktoré spaľujú plyn alebo iné palivá.
- Musíte dodržiavať predpisy o odvádzaní vzduchu.
- Deti by mali byť pod dozorom, aby sa zaistilo, že sa nebudú hrať so zariadením.
- Pod digestorom nevlambujte.
- Digestor nie je určený na inštaláciu nad varnú dosku s viac

ako štyrmi varnými prvkami

- Počas používania digestora súčasne so zariadeniami, ktoré spaľujú plyn alebo iné palivá (neplatí pre spotrebiče, ktoré vzduch iba filtrujú a privádzajú ho späť do miestnosti), je potrebné mať dostatočné vetranie miestnosti;
- podrobnosti týkajúce sa metód a intervalov čistenia.
- ak sa čistenie nevykonáva v súlade s pokynmi, existuje riziko požiaru;
- pod digestorom neflambujte;
- **UPOZORNENIE:** Prístupné časti sa môžu zahriať pri používaní s varnými spotrebičmi.

### Nebezpečenstvo úrazu elektrickým prúdom

- Toto zariadenie zapojte iba do správne uzemnenej zásuvky. Ak máte pochybnosti, požiadajte o radu kvalifikovaného technika.
- Nedodržanie týchto pokynov môže spôsobiť smrť, požiar alebo zásah elektrickým prúdom.



Lampa použitá v tomto výrobku nie je vhodná na osvetlenie miestnosti.

Účelom tejto žiarovky je poskytnúť osvetlenie na používanie výrobku.

Všetky inštalačné práce musí vykonať kompetentná osoba alebo spôsobilý elektrikár. Pred pripojením sieťového napájania sa uistite, že sieťové napätie zodpovedá napätiu na typovom štítku.

### Priame pripojenie

Spotrebič musí byť pripojený priamo k sieti pomocou viacpólového ističa s minimálnou medzerou 3 mm medzi kontaktmi.

Inštalačný technik musí zabezpečiť vykonanie správneho elektrického pripojenia v súlade so schémou zapojenia.

Kábel sa nesmie ohýbať ani stláčať.

Pravidelne kontrolujte zástrčku a napájací kábel, či nie sú poškodené. Ak je napájací kábel poškodený, musí sa vymeniť za špeciálny kábel alebo sústavu od výrobcu alebo jeho servisného zástupcu.

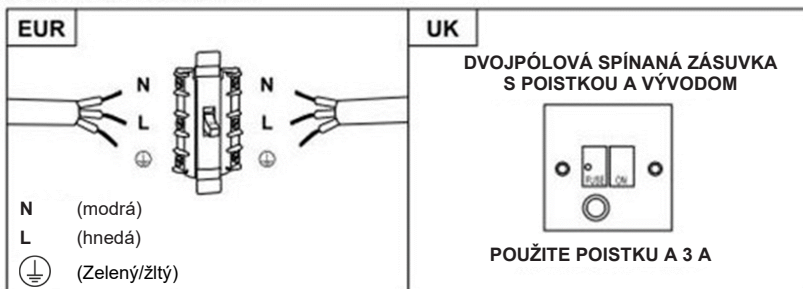
### VAROVANIE: Toto je zariadenie triedy I a MUSÍ byť uzemnené

Tento spotrebič je dodávaný so 3-žilovým sieťovým káblom s nasledujúcimi farbami:

hnedý = L alebo živý,

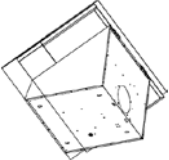










modrý = N alebo neutrálny,

zelený a žltý = E alebo uzemňovací 



Poistka musí mať menovitý výkon 3 A.

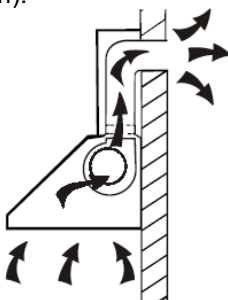
## Zoznam štandardného inštalačného príslušenstva

Špecifikácia	Ilustračný obrázok	Množstvo
Telo digestora		1
Spodný komín (500 mm)		1
Vrchný komín (500 mm)		1
Držiak vrchného komína		1
Držiak spodného komína		1
Konzola digestora		1
Ø8 hmoždinky Ø8×Ø6 biela farba		9
Skrutka (ST4 * 30 mm)		9
Skrutka (ST4 * 8 mm)		6
Vývod vzduchu		1
Uhlíkový filter		2

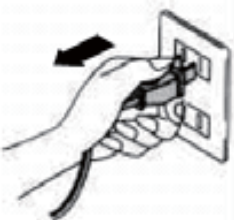


## **INŠTALÁCIA (montáž na stenu)**

Ak máte výstup na vonkajšiu stranu, digestor môžete pripojiť ako na obrázku nižšie pomocou extrakčného potrubia (smalt, hliník, ohybná rúra nehorľavá s vnútorným priemerom 150 mm).



1. Prístroj pred inštaláciou vypnite a odpojte od siete.



2. Digestor treba na dosiahnutie najlepšieho účinku umiestniť 65~75cm nad varnú dosku.



## **INŠTALÁCIA DIGESTORA**

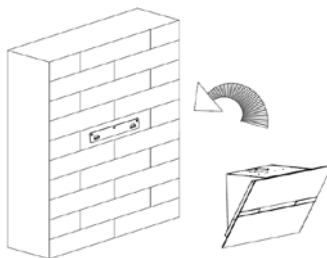
Umiestnite digestor do požadovanej výšky s ohľadom na minimálnu výšku nad varnou doskou.

Označte umiestnenie nástennej konzoly. (Umiestnite otvory 700 až 800 mm nad pracovnú dosku)

Odstráňte kryt a umiestnite nástennú konzolu tak, aby označovala umiestnenie otvorov na stene.

Vyvrátajte 3 otvory v stene a vložte príslušný upevňovací systém (skrutka ST4x30 mm).

Zaveďte kapucňu do zárezov nástennej konzoly.

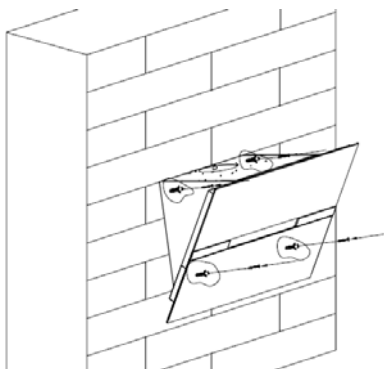


## INŠTALÁCIA DIGESTORA

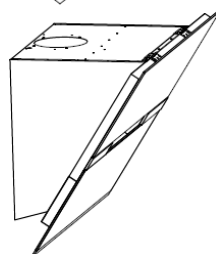
Keď je digestor na svojom mieste, nájdite umiestnenie 4 ďalších skrutiek na upevnenie na stenu, ako je znázornené na nasledujúcom diagrame.

Odstráňte kryt za účelom prepichnutia steny a nainštalujte do steny hmoždinky.

Telo kapoty zaistíte 4 skrutkami s priemerom 4 mm pomocou hmoždiniek prispôbených vašej stene.



Ak je zvolený režim odsávania, umiestnite kanál odsávania vzduchu na výstup vzduchu, ako je znázornené na obrázku.

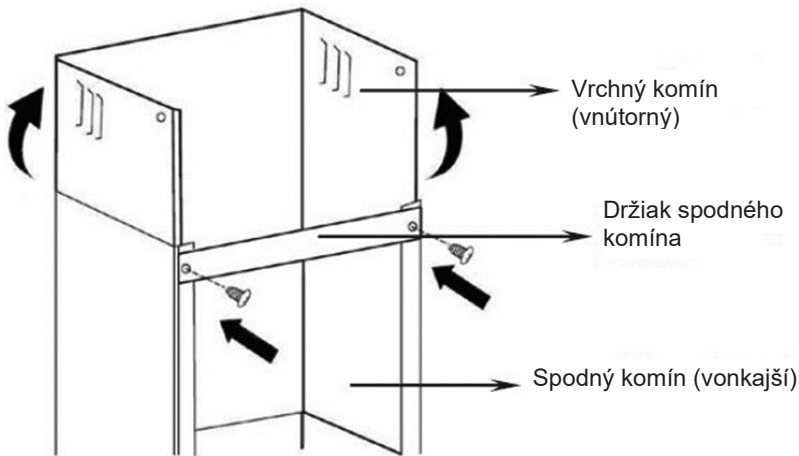


## INŠTALÁCIA DIGESTORA

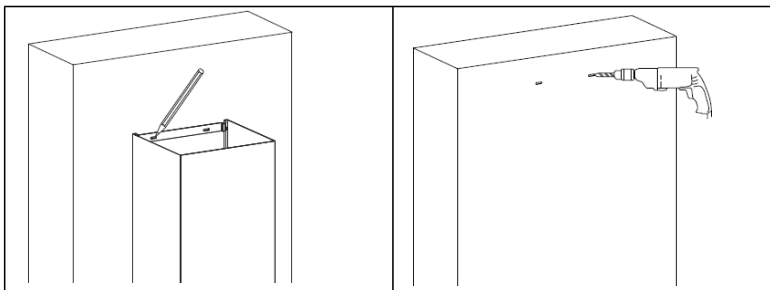
Pripojte oporu spodného komína k spodnému komínu, ako je znázornené na obrázku. Použite 2 skrutky ST4x8 mm.

(Neťahujte skrutky nadmerne, uistite sa, že vrchný komín sa dá ľahko zasunúť do spodného komína)

Vložte vrchný komín do spodného komína.



Umiestnite spodný komín do spotrebiča a potom označte otvory na stene.

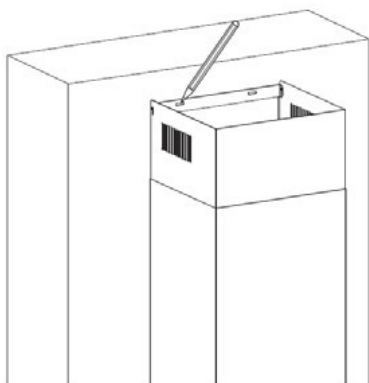
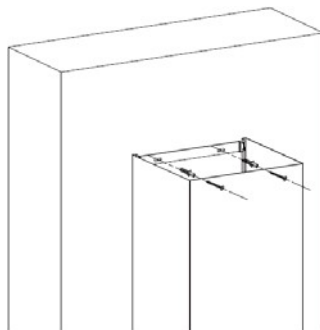


Odstráňte spodný komín, potom vyvrtajte otvory v stene: otvor pre skrutku s priemerom  $\varnothing$  8 mm

Použite hmoždinky prispôsobené vašej stene

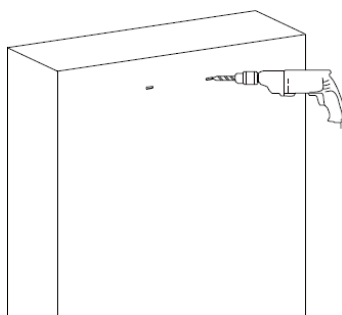
## INŠTALÁCIA DIGESTORA

Nasadíte spodný komín a potom ho priskrutkujete na stenu pomocou 2 skrutiek s priemerom  $\varnothing$  8 mm



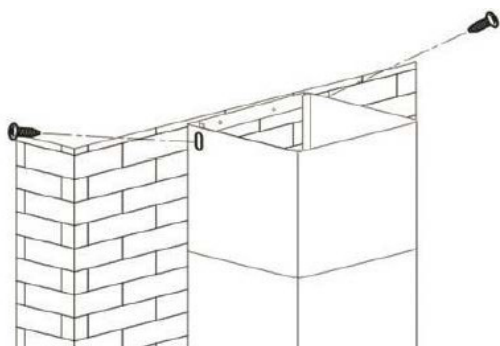
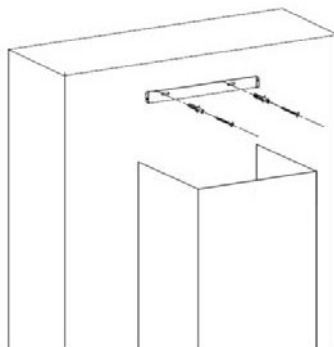
Potom vytiahnite vrchný komín nahor do požadovanej výšky. Označte umiestnenie montážnych otvorov opory vrchného komína.

Spustite vrchný komín a potom vyvrtajte otvory v stene.  
Vložte hmoždinky prispôsobené vašej stene.



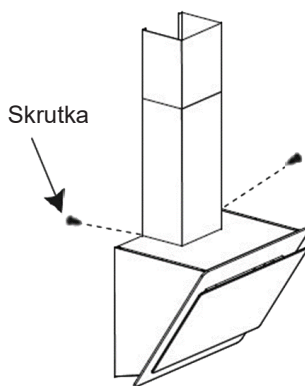
## INŠTALÁCIA DIGESTORA

Upevnite nástennú konzolu vrchného komína k stene pomocou vybraných hmoždiniek (odporúčame 8 mm skrutky).








Upevnite spodný komín k uchám kuchynského digestora pomocou 2 skrutiek ST4x8 mm.

Namontujte vrchný komín a upevnite ho na nástennú konzolu pomocou 2 skrutiek ST4x8 mm



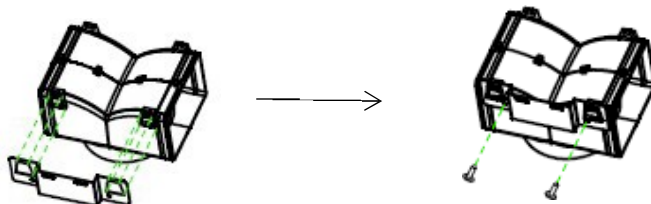
## Zoznam štandardného inštalačného príslušenstva

Špecifikácia	Ilustračný obrázok	Množstvo
Deflektor vzduchu		1
Konzola		1
Ø 8 hmoždinky Ø 8×Ø 6 biela farba		2
Skrutky ST4,0×30		2
Skrutky ST3,5×12 mm		2

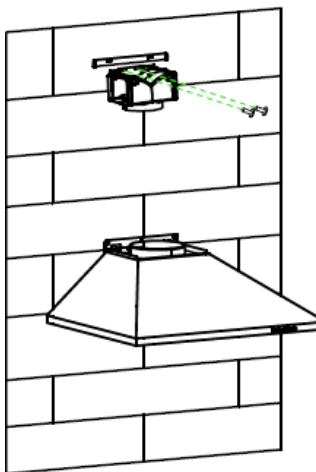
## INŠTALÁCIA (VZDUCHOVÝ DEFLEKTOR PRE MODELY TVARU T, ZAKRIVENÉ SKLO, PLOCHÉ SKLO)

Deflektor vzduchu je uvedený ako súčasť balenia a nie je dobrovoľný.

1. Upevnite konzolu k plastovému výstupu v tvare T pomocou 2 skrutiek ST3,5x12 mm, ako je uvedené nižšie:

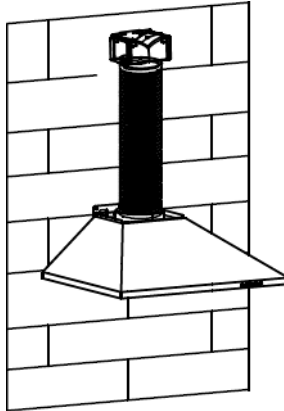


2. Vyvrtajte na stene 2 otvory na upevnenie zástrčiek do steny, potom priskrutkujte a utiahnite konzolu na stenu pomocou dodaných 2 ks skrutiek ST4x30 mm.

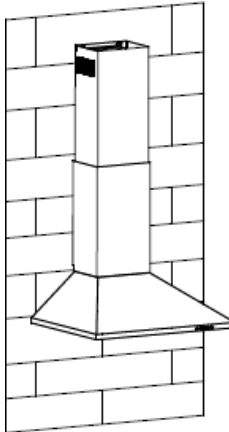


3. Pripojte výfukové potrubie na výstup vzduchu z digestora, ako je znázornené nižšie:





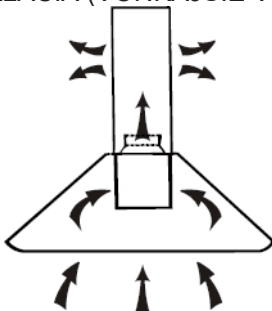
4. Nainštalujte komín na jednotku a upevnite ho.



- o “Upozorňujeme, že: Plastový výstup v tvare písmena T a v-klapky sa nemôžu používať súčasne. Môžete ich použiť dvoma spôsobmi: 1) Pridajte v- klapku na existujúci výstup; 2) Použite plastový výstup v tvare T, bez pridania v-klapky.”
- o „Berte na vedomie: Výrobok je dodávaný s príslušenstvom pre v-klapky. Toto príslušenstvo nie je povinné na inštaláciu, prevádzku a používanie výrobku.”

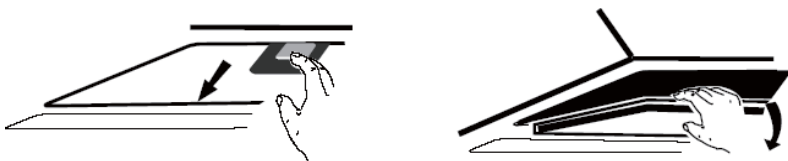
## INŠTALÁCIA (VNÚTORNÉ VETRANIE)

Ak nemáte vývod vonku, odsávacie potrubie nie je potrebné a inštalácia je podobná ako v časti „INŠTALÁCIA (VONKAJŠIE VETRANIE)“.

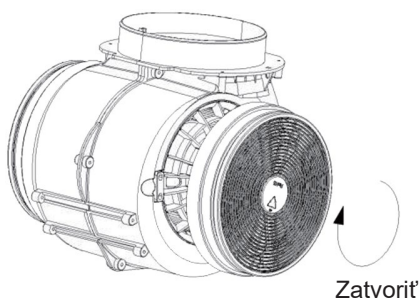


Filter s aktívnym uhlím sa dá používať na zachytávanie pachov.

Na inštaláciu filtra s aktívnym uhlím treba najprv odobrať tukový filter. Zatlačte zámok a potiahnite ho nadol.



Filter s aktívnym uhlím vložte do jednotky a upevnite ho otočením v smere hodinových ručičiek. Ten istý postup zopakujte na opačnej strane.



### **POZNÁMKA:**



- o *Presvedčte sa, že je filter bezpečne zaistený. Ináč by sa mohol uvoľniť a spôsobiť poškodenie.*
- o *Po pripojení filtra s aktívnym uhlím sa zníži sací výkon.*

## POPIS KOMPONENTOV

### KONFIGURÁCIA 1

1      2      3      B      B<sup>+</sup>            

## PREVÁDZKA

- 1 Tlačidlo pomalých otáčok**  
Používa sa na vetranie kuchyne. Je vhodný na dusenie a varenie, ktoré nevytvára veľa pary.
- 2 Tlačidlo stredných otáčok**  
Rýchlosť prúdenia vzduchu je ideálna pre vetranie pri štandardnom varení.
- 3 Tlačidlo vysokých otáčok**  
Ak vzniká vysoká hustota dymu alebo pary, stlačte tlačidlo vysokej rýchlosti pre vysokoúčinné vetranie.
- B Boost 1 (rýchlosť 4)**  
Stlačte tlačidlo rýchlosti b 1, podsvietenie tlačidla rýchlosti B je zapnuté a digestor pracuje v režime boost;
- B<sup>+</sup> Boost 2 (rýchlosť 5)**  
Stlačte tlačidlo rýchlosti b 2, podsvietenie tlačidla rýchlosti B+ je zapnuté a digestor pracuje v režime boost;
-  **Svetlo**  
**Krátke stlačenie pre zapnutie a vypnutie osvetlenia**  
**Rýchly časovač:** Dlhé stlačenie tlačidla svetla na 3 sekundy, tlačidlá rýchlosti ventilátora budú blikať a začne odpočítavanie 5 minút, po 5 minútach sa motor a svetlo vypnú automaticky s tromi zvukmi bzučania.
-  **Pripojenie Wi-Fi**  
Dlhé stlačenie ikony WiFi a prepnutie do režimu pripojenia: blikanie podsvietenia ikony WiFi indikuje, že pripojenie je v procese pripojenia, rozsvietené podsvietenie ikony WiFi indikuje, že je pripojené, rovnako ako v pohotovostnom režime; dlhé stlačenie ikony WiFi znova a pripojenie sa zastaví;

## KONFIGURÁCIA 2

1

2

3

B



### POHOTOVOST REŽIM.

Po zapojení, všetko osvetlenie, systém v **POHOTOVOSTNOM REŽIME**.

1

#### **Tlačidlo pomalých otáčok**

Používa sa na vetranie kuchyne. Je vhodný na dusenie a varenie, ktoré nevytvára veľa pary.

2

#### **Tlačidlo stredných otáčok**

Rýchlosť prúdenia vzduchu je ideálna pre vetranie pri štandardnom varení.

3

#### **Tlačidlo vysokých otáčok**

Ak vzniká vysoká hustota dymu alebo pary, stlačte tlačidlo vysokej rýchlosti pre vysokoúčinné vetranie.

B

#### **Funkcia zvýšenia výkonu**

Tento digestor má funkciu zvýšenia výkonu. Ak chcete aktivovať booster, stlačte **B** na rýchlosť 4 a prejdite na najvyššiu rýchlosť počas používania digestora a na 5 minút sa zvýši rýchlosť, potom sa znova zníži.



#### **Svetlo**

##### **Krátke stlačenie pre zapnutie a vypnutie osvetlenia**

**Rýchly časovač:** Dlhé stlačenie tlačidla svetla na 3 sekundy, tlačidlá rýchlosti ventilátora budú blikať a začne odpočítavanie 5 minút, po 5 minútach sa motor a svetlo vypnú automaticky s tromi zvukmi bzučania.



#### **Pripojenie Wi-Fi**

Dlhé stlačenie ikony WiFi a prepnutie do režimu pripojenia: blikanie podsvietenia ikony WiFi indikuje, že pripojenie je v procese pripojenia, rozsvietené podsvietenie ikony WiFi indikuje, že je pripojené, rovnako ako v pohotovostnom režime; dlhé stlačenie ikony WiFi znova a pripojenie sa zastaví;



## Stiahnite si aplikáciu hOn

Najprv by ste si mali stiahnuť aplikáciu hOn a nainštalovať ju do mobilného zariadenia. Potom registrujte váš digestor.



## POZNÁMKA

### Get ready to add your appliance

- 1 Stay close to your appliance
- 2 While in front of your appliance, ensure that your smartphone is connected to a 2.4GHz Wi-Fi network with a stronger signal

CHANGE WI-FI SETTINGS

- 3 Public networks are not allowed due to low security and reliability.
- 4 Prepare to enter your Home Wi-Fi password.

## REGISTRÁCIA DIGESTORA HAIER



*Jediným účelom obrázka je prezentovať digestor. Nemusí byť úplne reprezentatívny.*

1- Stlačte tlačidlo WiFi, kým ikona nezačne blikať. Po dokončení párovania bude ikona WiFi zapnutá.

## ÚDRŽBA

Jednotku pred čistením vypnite a vytiahnite zástrčku.

### **I. Bežné čistenie**

Použite jemnú handričku navlhčenú s vlažnou jemne mydlovou vodou alebo domácim čistiacim prostriedkom. Na čistenie jednotky nikdy nepoužívajte kovové podložky, abrazívny materiál ani pevné kefy.

### **II. Mesačné čistenie tukového filtra**

*DÔLEŽITÉ: Čistenie filtra raz za mesiac môže zabrániť riziku požiaru.*

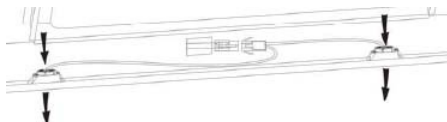
Filter zachytáva tuk, dym a prach... takže filter priamo ovplyvňuje účinnosť digestora. Ak ho nevyčistíte, nazbierajú sa na ňom masťné zvyšky (potenciálne horľavé). Vyčistite ho s domácim čistiacim prostriedkom.

### **III. Ročné čistenie filtra s aktívnym uhlím**

Používajte IBA na jednotku, ktorá je nainštalovaná ako obehová (nevyvedená von). Tento filter zachytáva pachy a musíte ho vymieňať aspoň raz ročne podľa toho ako často sa digestor používa.

### **IV. Výmena žiarovky**

Odskrutkujte skrutky na skle a vyberte sklo digestora. Nájdite žiarovku, ktorá sa musí vymeniť, nájdete ju umiestnenú v objímke, ktorá sa nachádza vo vnútri odkrytej časti ochranného krytu.



Odpojte bod vedenia svetla a vyberte držiaky žiaroviek a káble z digestora. Dôležité: Žiarovky nie je možné vymeniť jednotlivou, musíte použiť žiarovku, držiaky žiaroviek a vodiče ako kompletnú zostavu. (LED svetlo: MAX. 1,5 W)

Namontujte náhradné žiarovky, držiaky žiaroviek a vedenie rovnakým spôsobom ako pôvodné. Potom znova pripojte bod vedenia žiarovky.

Namontujte sklo digestora a upevnite skrutky skla. Uistite sa, že sú skrutky úplne utiahnuté.

## **RIEŠENIE PROBLÉMOV**

<b>Porucha</b>	<b>Príčina</b>	<b>Riešenie</b>
Svetlo svieti, ale nefunguje ventilátor	List ventilátora sa zasekol.	Vypnite zariadenie a nechajte ho opraviť kvalifikovanému servisnému personálu.
	Motor je poškodený.	
Nefunguje ani svetlo ani ventilátor	Vypálená halogénová žiarovka.	Vymeňte za žiarovku so správnym výkonom.
	Napájací kábel je uvoľnený.	Znova zapojte napájací zdroj.
Výrazné vibrácie zariadenia	List ventilátora je poškodený.	Vypnite zariadenie a nechajte ho opraviť kvalifikovanému servisnému personálu.
	Motor ventilátora nie je pevne upevnený.	Vypnite zariadenie a nechajte ho opraviť kvalifikovanému servisnému personálu.
	Zariadenie nie je správne zavesené na držiaku.	Zložte zariadenie a skontrolujte, či je držiak správne umiestnený.
Sací výkon nie je dobrý	Príliš veľká vzdialenosť medzi jednotkou a plochou na varenie	Znovu upravte vzdialenosť na 65 – 75 cm

Technológia	Wi-Fi
Norma	802.11 b/g/n
Frekvenčné pásmo(a)[MHz]	2400–2483,5 MHz
Maximálny výkon[mW]	100 mW

<b>Produktové informácie o prepojenom zariadení</b>	
spotreba elektrickej energie výrobku v pohotovostnom režime pri pripojení na sieť, ak sú všetky drôtové sieťové porty sú pripojené a všetky bezdrôtové sieťové porty sú aktivované:	2W
Ako aktivovať port bezdrôtovej siete:	Ak bol digestor zaregistrovaný v APLIKÁCII, zapnite digestor a aktivujte bezdrôtový sieťový port.
Ako deaktivovať port bezdrôtovej siete:	Ak bol digestor zaregistrovaný v APLIKÁCII, vypnite digestor a deaktivujte bezdrôtový sieťový port. Ak digestor nebol zaregistrovaný v APLIKÁCII, bezdrôtový sieťový port sa deaktivuje aj pri zapnutom digestore.

## **ASISTENČNÁ SLUŽBA PRE ZÁKAZNÍKOV**

Ak nedokážete identifikovať príčinu nesprávnej prevádzky, vypnite zariadenie a obráťte sa na asistenčnú službu.

**SÉRIOVÉ ČÍSLO VÝROBKU.** Kde ho môžem nájsť?

Je dôležité, aby ste pracovníkom asistenčnej služby oznámili kód produktu a jeho sériové číslo (16-miestny kód začínajúci číslom 3). Nachádza sa na záručnom liste alebo na štítku s údajmi na zariadení.

Pomôžete tým vyhnúť sa zbytočným výjazdom technikov, a tým (čo je najdôležitejšie) ušetriť príslušné poplatky za výjazdy.



Toto zariadenie je označené podľa európskej smernice 2012/19/EÚ o odpade z elektrických a elektronických zariadení (OEEZ).

OEEZ obsahuje aj znečisťujúce látky (ktoré môžu spôsobiť negatívne dôsledky na životné prostredie) aj základné zložky (ktoré

sa môžu opätovne použiť). Je dôležité, aby sa s OEEZ manipulovalo ako so špeciálnym odpadom, aby sa odstránili a správne zlikvidovali všetky znečisťujúce látky a aby sa zhodnotili a recyklovali všetky materiály.

Jednotlivci môžu zohrávať dôležitú rolu pri zabezpečovaní toho, aby sa z OEEZ nestal problém životného prostredia; potrebné je dodržiavať niekoľko základných pravidiel:

S OEEZ sa nesmie manipulovať ako s domovým odpadom;

OEEZ je potrebné odovzdať v príslušných zberných strediskách spravovaných obcou alebo registrovanými spoločnosťami. V mnohých krajinách sa vykonáva vyzdvihnutie veľkého OEEZ v domácnostiach.

V mnohých krajinách môžete pri kúpe nového spotrebiča vrátiť starý predajcovi, ktorý je povinný vyzdvihnúť ho bezplatne systémom jedného starého zariadenia za jedno nové zariadenie ekvivalentného typu a s rovnakými funkciami ako má odovzdávané zariadenie.



# MANUAL DO UTILIZADOR E DE INSTALAÇÃO

## **ÍNDICE**

INTRODUÇÃO	129
PRECAUÇÃO DE SEGURANÇA	129
INSTALAÇÃO ELÉTRICA	131
ESPECIFICAÇÃO	132
INSTALAÇÃO (VENTILAÇÃO EXTERIOR)	133
INSTALAÇÃO (VENTILAÇÃO INTERIOR)	142
DESCRIÇÃO DOS COMPONENTES	143
OPERAÇÃO	143
MANUTENÇÃO	146
RESOLUÇÃO DE PROBLEMAS	147
CONFORMIDADE COM AS DIRETIVAS	147
PROTEÇÃO DO AMBIENTE	147

## **INTRODUÇÃO**

### **Obrigado por escolher este exaustor.**

Este manual de instruções foi concebido para lhe fornecer todas as instruções necessárias para a instalação, utilização e manutenção do aparelho.

Para operar a unidade de forma correta e em segurança, leia este manual de instruções cuidadosamente antes da instalação e utilização do aparelho.

O exaustor usa materiais de alta qualidade, e foi concebido com um design dinâmico. Equipado com uma ventoinha centrífuga e um motor elétrico de grande potência, fornece igualmente uma grande potência de aspiração, uma operação de baixo ruído, filtro de gordura antiaderente e instalação de montagem fácil.

Por este motivo, a Candy Hoover Group Srl declara que o equipamento de rádio está em conformidade com a Diretiva 2014/53/UE e com os requisitos estatutários pertinentes (para o mercado do Reino Unido).

O texto integral da declaração de conformidade está disponível no seguinte endereço Internet: [www.candy-group.com](http://www.candy-group.com)

## **PRECAUÇÃO DE SEGURANÇA**

- Nunca permita que crianças operem o aparelho.
- O exaustor é apenas para uso doméstico, não é adequado para churrascos, churrasqueiras ou outros fins comerciais.
- O exaustor e os seus filtros devem ser limpos regularmente para serem mantidos em boas condições de funcionamento.
- Limpe o exaustor de acordo com o manual de instruções e proteja a unidade do perigo de incêndio.
- Proíba cozinhar diretamente a partir do fogão a gás. Mantenha uma boa ventilação na divisão da cozinha.
- Antes de ligar este aparelho verifique se o cabo de alimentação não está danificado. O cabo de alimentação deve ser substituído apenas por pessoal de serviço qualificado.
- Deverá existir uma ventilação adequada da divisão quando o exaustor estiver a ser usado ao mesmo tempo que aparelhos a gás ou outros combustíveis;
- O ar não deve ser descarregado num tubo de chaminé utilizado para evacuar fumos de aparelhos que utilizem gás ou outros combustíveis;
- Os regulamentos referentes à descarga de ar têm de ser cumpridos.

- As crianças devem ser supervisionadas para garantir que não brinquem com o aparelho.
- Não prepare receitas flambadas por baixo do exaustor.
- O exaustor não se destina a ser instalado sobre uma placa com mais de quatro elementos
- Deve haver ventilação adequada na divisão onde o exaustor será utilizado em conjunto com aparelhos que utilizem gás ou outros combustíveis (não aplicável a aparelhos que apenas descarregam ar para a divisão);
- os detalhes relativos ao método e à frequência de limpeza.
- existe o risco de incêndio se a limpeza não for realizada de acordo com as instruções;
- não prepare receitas flambadas por baixo do exaustor;
- CUIDADO: As peças acessíveis podem tornar-se quentes quando usadas com aparelhos para cozinhar.

### Perigo de choque elétrico

- Ligue esta unidade a uma tomada com devida ligação de terra. Em caso de dúvida, informe-se junto de um técnico qualificado.
- No caso de incumprimento destas instruções, isso pode resultar em morte, incêndio ou choque elétrico.



A lâmpada usada neste produto não é adequada para uso na iluminação de uma sala.

O objetivo desta lâmpada é fornecer iluminação para uso do produto.

## Instalação elétrica

Todo a instalação tem de ser realizada por uma pessoa competente ou por um electricista qualificado. Antes de ligar a alimentação da rede, certifique-se de que a tensão da rede corresponde à tensão na placa de classificação.

### Ligação direta

O aparelho deve ser ligado diretamente à rede elétrica utilizando um disjuntor omnipolar com uma abertura mínima de 3 mm entre os contactos.

O instalador deve certificar-se de que foi efetuada a ligação elétrica correta e que está em conformidade com o diagrama de cablagem.


O cabo não deve estar dobrado nem comprimido.

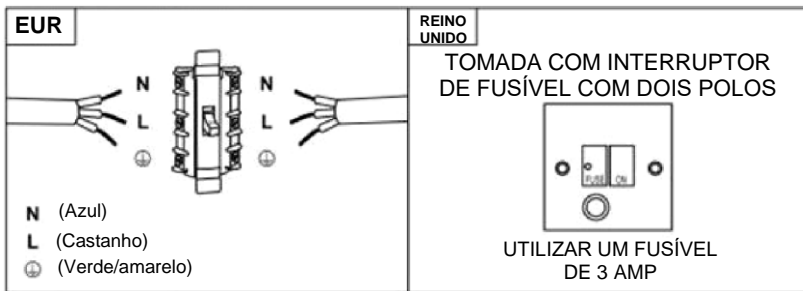
Verifique regularmente a ficha de alimentação e o cabo de alimentação quanto a danos. Se o cabo de alimentação estiver danificado, este deve ser substituído por um cabo ou conjunto especial disponíveis pelo fabricante ou pelo seu agente de serviço.

**AVISO:** Este é um aparelho de classe I e TEM DE ser ligado à terra. Este aparelho é fornecido com um cabo de rede 3 núcleos colorido do seguinte modo:

Castanho = L ou vivo

Azul = N ou Neutro

Verde e Amarelo = E ou Terra 



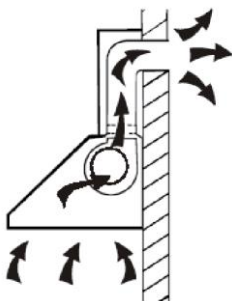
O fusível deve ter a classificação de 3 Amps.

## Lista de acessórios de instalação padrão

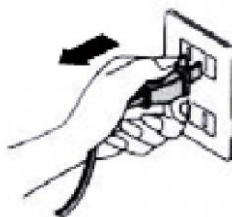
Especificações.	Imagem de ilustração	Qtde
Corpo do exaustor		1
Chaminé inferior (500mm)		1
Chaminé superior (500mm)		1
Suporte de chaminé superior		1
Suporte de chaminé inferior		1
Suporte do exaustor		1
Ø8 fichas rawl Ø8×Ø6 de cor branca		9
Parafuso (ST4 * 30 mm)		9
Parafuso (ST4 * 8 mm)		6
Saída de ar		1
Filtro de carvão		2

## **INSTALAÇÃO (montagem na parede)**

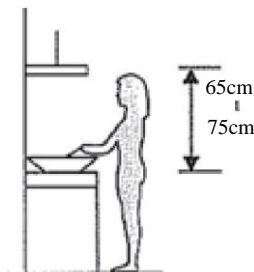
Se tiver uma saída para o exterior, o seu exaustor pode ser ligado como apresentado na imagem a seguir através de um tubo de extração (tubo flexível de esmalte ou alumínio, não inflamável com um diâmetro interior de 150 mm)



1. Antes de realizar a instalação, desligue a unidade e retire a ficha da tomada.



2. O exaustor deve ser colocado a uma distância de 65~75 cm da superfície onde se cozinha para obter um melhor resultado.

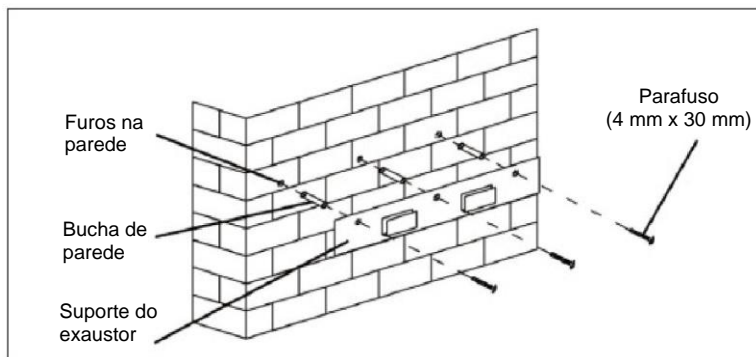


## **INSTALAÇÃO DO EXAUSTOR**

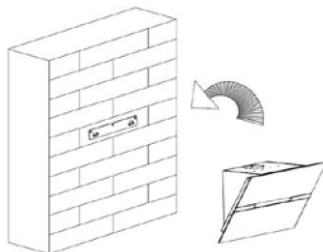
Posicione o exaustor na altura desejada respeitando a altura mínima acima da placa.

Marque a localização do suporte de parede. (Colocou os furos entre 700 e 800 mm acima da superfície de trabalho). Retire o exaustor e posicione o suporte de parede para marcar as localizações dos furos na parede.

Faça os 3 furos na parede para inserir o sistema de fixação apropriado (parafuso St4x30 mm).



Pendure o exaustor nos entalhes do suporte da parede.

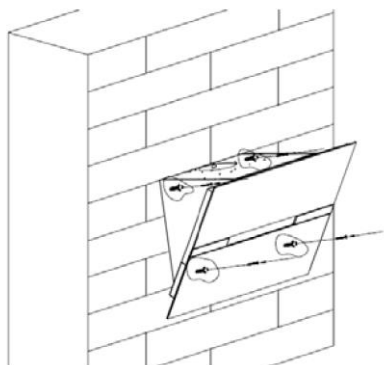


## **INSTALAÇÃO DO EXAUSTOR**

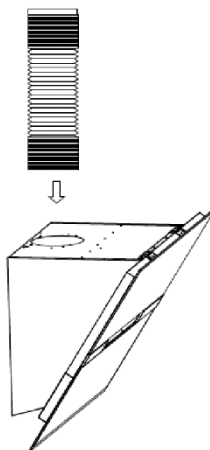
Logo que o exaustor esteja no lugar, localize o local dos 4 parafusos de montagem de parede adicionais como mostrado no seguinte diagrama.

Remova o exaustor para furar a parede e instale as tomadas de parede.

Fixe o corpo do exaustor com 4 parafusos de 4 mm de diâmetro com cavilhas adaptadas à sua parede.



Se o modo de extração for selecionado, coloque a conduta de ar de escape na saída de ar, conforme indicado.





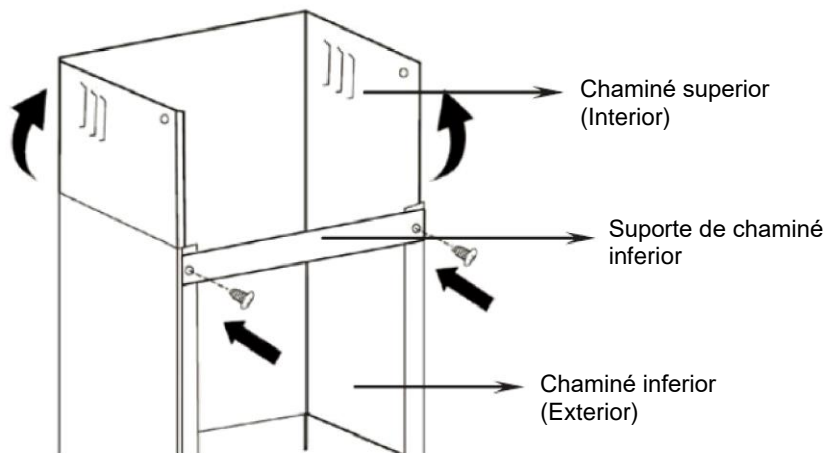
## INSTALAÇÃO DO EXAUSTOR

Prender o apoio da chaminé inferior à chaminé inferior, como mostrado.

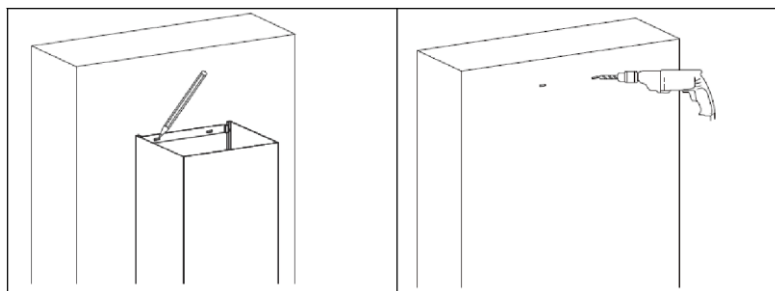
Utilize 2 parafusos ST4x8mm.

(Não apertar os parafusos, certifique-se que a chaminé superior consegue deslizar facilmente na chaminé inferior)

Insira a chaminé superior na chaminé inferior.



Posicione a chaminé inferior no aparelho e, em seguida, marque os furos na parede.

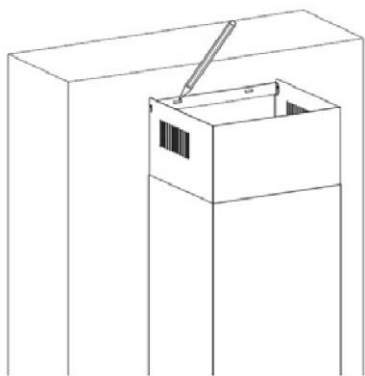
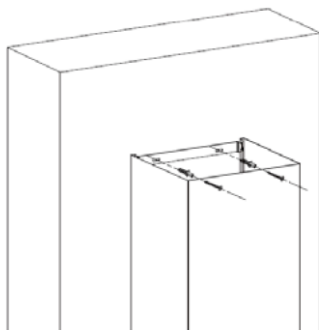


Retire a chaminé inferior e, em seguida, faça furos na parede: furo para o diâmetro do parafuso  $\varnothing 8$  mm

Use as buchas adaptadas à sua parede

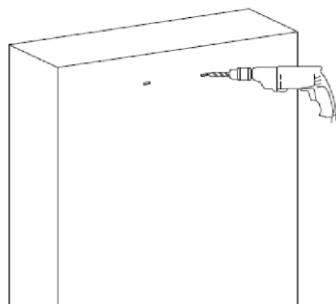
## INSTALAÇÃO DO EXAUSTOR

Instale a chaminé inferior e, em seguida, enrosque-a na parede com 2 parafusos de diâmetro  $\varnothing$  8 mm



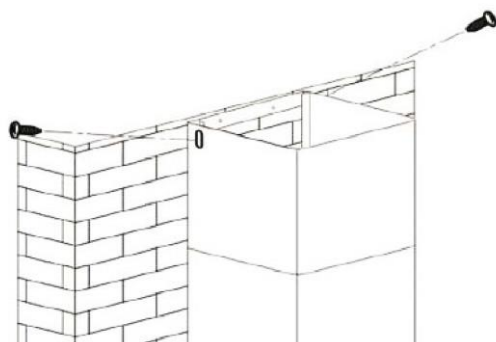
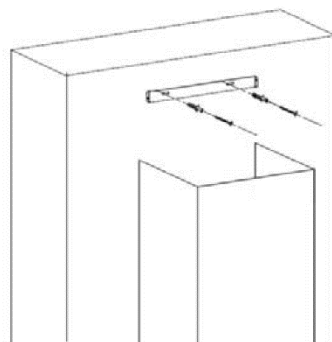
Em seguida, puxe a chaminé superior para cima até à altura desejada. Marque os locais dos orifícios de montagem do suporte da chaminé superior.

Baixe a chaminé superior e depois faça furos na parede.  
Insira as cavilhas adaptadas à sua parede



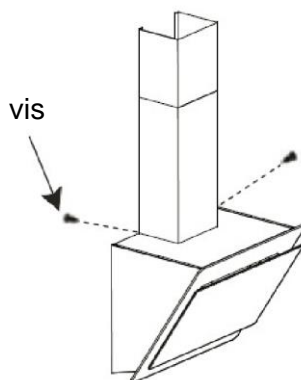
## INSTALAÇÃO DO EXAUSTOR

Fixe o suporte de parede da chaminé superior na parede utilizando as buchas selecionadas (parafusos de 8 mm recomendados).








Volte a montar a chaminé superior e fixe-a ao suporte da parede com 2 parafusos ST4x8mm

Aperte a chaminé inferior nos pernes do exaustor usando 2 parafusos ST4x8mm.



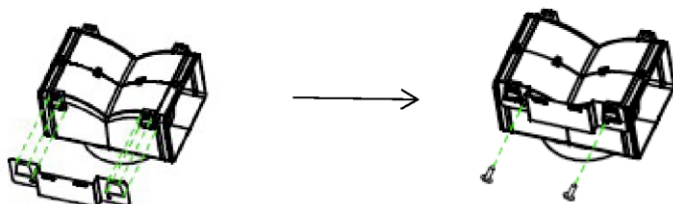
## Lista de acessórios de instalação padrão

Especificações.	Imagem de ilustração	Qtde
Deflector de ar		1
Suporte		1
φ8 buchas φ8xφ6 cor branca		2
Parafusos ST4.0×30		2
Parafusos ST3.5×12		2

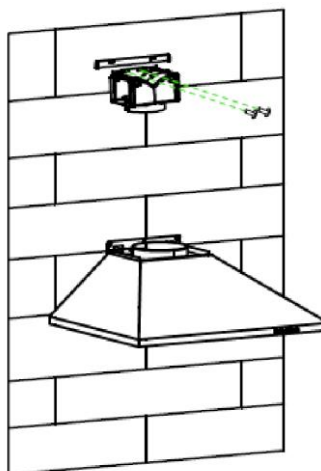
## **INSTALAÇÃO (DEFLETOR DE AR PARA FORMA EM T, VIDRO CURVO, MODELOS PLANOS DE VIDRO):**

O defletor do ar é mencionado como incluído e não opcional.

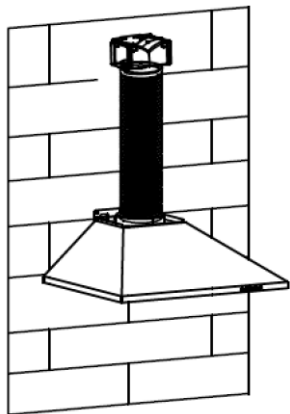
1. Fixe o suporte na saída de plástico em forma de T com 2 parafusos St3.5x12 mm fornecidos conforme exibido em baixo:



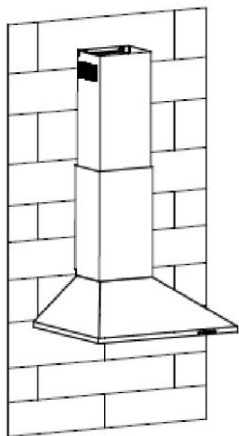
2. Faça 2 furos na parede para acomodar as buchas de parede, em seguida, enrosque e aperte o suporte na parede com 2 parafusos St4x30 mm fornecidos.



3. Encaixe o tubo de escape na saída de ar do exaustor, como mostrado abaixo:



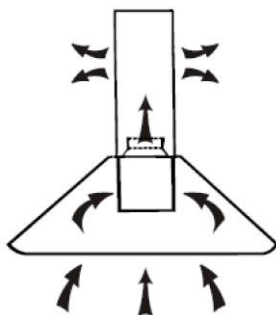
4. Instale a chaminé na unidade e fixe-a.



- “Por favor, tome nota: A tomada de plástico em forma de T e as abas em v não pode ser utilizadas ao mesmo tempo. Pode usá-las de duas maneiras: 1) Adicionar a aba em v na saída existente; 2) Use a tomada de plástico em forma de T, sem adicionar a aba em v.”
- “Nota: O produto é fornecido com um acessório de aba em v. Este acessório não é obrigatório para instalação, operação e uso do produto.”

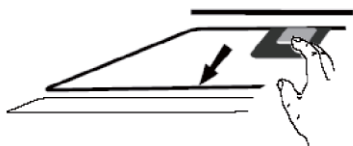
## INSTALAÇÃO (VENTILAÇÃO INTERIOR)

Se não tiver uma saída para o exterior, o tubo de escape não é necessário e a instalação é semelhante ao que aparece na seção "INSTALAÇÃO (VENTILAÇÃO EXTERIOR)".

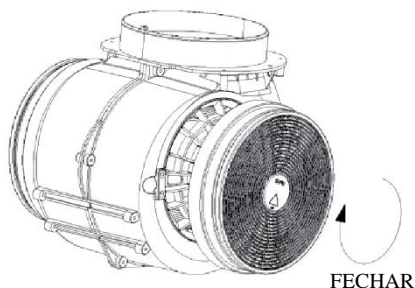


É possível usar um filtro de carvão ativado para captar odores.

Para instalar o filtro de carvão ativado, primeiro é necessário desprender o filtro de gordura. Pressione o fecho e puxe-o para baixo.



Encaixe o filtro de carvão ativado à unidade e rode-o na direção dos ponteiros do relógio. Repita a mesma operação do outro lado.



### NOTA:

- *Certifique-se de que o filtro está bem preso. Caso contrário, este pode soltar-se e pode constituir um perigo.*
- *Com um filtro de carvão ativado instalado, o poder de aspiração será reduzido.*

## DESCRIÇÃO DOS COMPONENTES

### CONFIGURAÇÃO 1

1

2

3

B

B<sup>+</sup>



### FUNCIONAMENTO

1

#### **Botão de baixa velocidade**

É utilizado para ventilação na cozinha. É usado para cozinhar em lume brando e cozinhados que não libertem muito vapor.

2

#### **Botão de velocidade média**

A velocidade do fluxo de ar é ideal para ventilação em cozinha normal.

3

#### **Botão de velocidade alta**

Quando é produzida uma elevada densidade de fumo ou vapor, pressione o botão de velocidade alta para ventilação mais eficaz.

B

#### **Boost 1 (velocidade 4)**

Prima o botão da velocidade b 1, a retroiluminação do botão B de velocidade está acesa, e o exaustor está a funcionar em modo boost;

B<sup>+</sup>

#### **Boost 2 (velocidade 5)**

Prima o botão da velocidade 2, a retroiluminação do botão B<sup>+</sup> de velocidade B está acesa, e o exaustor está a funcionar em modo boost;



#### **Luz**

#### **Premir brevemente para acender e apagar a luz**

**Temporizador rápido:** Mantenha o botão de luz premido durante 3 segundos, os botões de velocidade do ventilador piscam numa contagem decrescente de 5 minutos e após 5 minutos o motor e a luz desligam automaticamente com três sinais sonoros.



#### **Conexão Wi-Fi**

Mantenha premido o ícone Wi-Fi e entre no modo de conexão: a retroiluminação do ícone WiFi continua a piscar indicando que a conexão está em curso, a retroiluminação do ícone WiFi fica acesa para indicar que está conectado e o mesmo para o modo de espera; prima o ícone Wi-Fi novamente e a conexão será interrompida;



## CONFIGURAÇÃO 2

1

2

3

B



### MODO STANDBY.

Depois de ligar, toda a iluminação, o sistema fica em **MODO STANDBY**.

1

#### **Botão de baixa velocidade**

É utilizado para ventilação na cozinha. É usado para cozinhar em lume brando e cozinhados que não libertem muito vapor.

2

#### **Botão de velocidade média**

A velocidade do fluxo de ar é ideal para ventilação em cozinha normal.

3

#### **Botão de velocidade alta**

Quando é produzida uma elevada densidade de fumo ou vapor, pressione o botão de velocidade alta para ventilação mais eficaz.

B

#### **Função booster**

Este exaustor tem uma função booster. Para ativar o booster, Prima B para a velocidade 4, entre na velocidade mais alta enquanto o exaustor está em uso e aumente a velocidade durante 5 minutos, antes de desacelerar novamente.



#### **Luz**

##### **Premir brevemente para acender e apagar a luz**

**Temporizador rápido:** Mantenha o botão de luz premido durante 3 segundos, os botões de velocidade do ventilador piscam numa contagem decrescente de 5 minutos e após 5 minutos o motor e a luz desligam automaticamente com três sinais sonoros.



#### **Conexão Wi-Fi**

Mantenha premido o ícone Wi-Fi e entre no modo de conexão: a retroiluminação do ícone WiFi continua a piscar indicando que a conexão está em curso, a retroiluminação do ícone WiFi fica acesa para indicar que está conectado e o mesmo para o modo de espera; prima o ícone Wi-Fi novamente e a conexão será interrompida;

## Descarregar a aplicação hOn



Descarregue primeiro a aplicação hOn e instale-a no seu dispositivo móvel. Em seguida, registre o seu exaustor.



### NOTA

Get ready to add your appliance

- 1 Stay close to your appliance
- 2 While in front of your appliance, ensure that your smartphone is connected to a 2.4GHz Wi-Fi network with a stronger signal  
[CHANGE WI-FI SETTINGS](#)
- 3 Public networks are not allowed due to low security and reliability.
- 4 Prepare to enter your Home Wi-Fi password.

### REGISTO DO EXAUSTOR HAIER



*A imagem do exaustor tem o único propósito de o apresentar. Pode não ser perfeitamente representativa.*

1- Prima o botão WiFi até o ícone começar a piscar. Quando o emparelhamento estiver concluído, o ícone WiFi fica aceso.

## **MANUTENÇÃO**

Antes de limpar desligue o aparelho e retire a ficha da tomada.

### **I. Limpeza regular**

Utilize um pano macio humedecido com água com sabão ligeiramente morna ou com detergente de limpeza doméstico. Nunca utilize peças metálicas, químicos, materiais ou escovas abrasivos para limpar a unidade.

### **II. Limpeza mensal do filtro de gordura**

*ESSENCIAL: Limpe o filtro todos os meses para evitar qualquer risco de incêndio.*

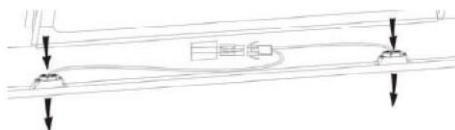
O filtro recolhe gordura, fumo e pó por isso o filtro afeta diretamente a eficiência do exaustor. Se não for limpo, os resíduos de gordura (potencialmente inflamáveis) saturarão o filtro. Limpe-o com um produto detergente de limpeza doméstico.

### **III. Limpeza anual do filtro de carvão ativado**

Aplique APENAS na unidade instalada como uma unidade de recirculação (não ventilada para o exterior). Este filtro captura odores e tem de ser substituído pelo menos uma vez por ano consoante a frequência com que utiliza o exaustor.

### **IV. Substituir uma lâmpada**

Remova os parafusos do vidro, retire o vidro do exaustor. Procure a lâmpada que precisa de ser substituída, vai encontrá-la localizada no candeeiro que está dentro da seção exposta da pala.



Desconecte o ponto da cablagem de luz e remova os casquilhos e a cablagem do exaustor. Importante: Não é possível substituir as lâmpadas individualmente, será necessário obter as lâmpadas, suportes e cabos como uma peça completa. (Luz LED: MÁX 1.5W)

Ajuste as lâmpadas de substituição, os suportes das lâmpadas e a cablagem da mesma forma que os originais. Em seguida, volte a ligar o ponto de cablagem de luz.

Volte a colocar o vidro do exaustor e prenda os parafusos de vidro. Certifique-se de que os parafusos estão apertados completamente.

## **RESOLUÇÃO DE PROBLEMAS**

<b>Problema</b>	<b>Causa</b>	<b>Solução</b>
Luz acesa, mas a ventoinha não funciona	A lâmina da ventoinha está bloqueada.	Desligue a unidade e deixe a reparação do aparelho apenas a cargo de pessoal de serviço qualificado.
	O motor está danificado.	
A luz e a ventoinha não trabalham	Lâmpada de halógeno fundida.	Substitua a lâmpada por uma de classificação correta.
	O cabo de alimentação está solto.	Volte a ligá-lo à fonte de alimentação.
Vibração acentuada da unidade	A lâmina da ventoinha está danificada.	Desligue a unidade e deixe a reparação do aparelho apenas a cargo de pessoal de serviço qualificado.
	O motor da ventoinha não está bem preso.	Desligue a unidade e deixe a reparação do aparelho apenas a cargo de pessoal de serviço qualificado.
	A unidade não está pendurada corretamente no suporte.	Retire a unidade e verifique se o suporte está no local correto.
O desempenho de sucção não é bom	Existe uma distância demasiado longa entre a unidade e a superfície para cozinhar	Reajuste a distância para 65 a 75 cm

Tecnologia	Wi-Fi
Standard	802.11 b/g/n
Banda(s) de frequência [MHz]	2400 MHz - 2483.5 MHz
Potência máxima [mW]	100 mW

<b>Informação sobre o produto para equipamentos em rede</b>	
o consumo de potência do produto com a rede em standby, se todas as portas de rede estiverem ligadas e todas as portas de rede wireless estiverem ativadas:	2 W
Como ativar a porta de rede wireless:	Se o exaustor tiver sido registado na APP, ligue o exaustor para ativar a porta de rede wireless.
Como desativar a porta de rede wireless:	Se o exaustor tiver sido registado na aplicação, ligue o exaustor para desativar a porta de rede wireless. Se o exaustor não tiver sido registado na aplicação, a porta da rede wireless ficará desativada, mesmo que o exaustor esteja ligado.

## **SERVIÇO DE ASSISTÊNCIA AO CLIENTE**

Se não conseguir identificar a causa da anomalia de operação, desligue o aparelho e contacte o Serviço de Assistência.

**NÚMERO DE SÉRIE DO PRODUTO.** Onde posso encontrá-lo?

É importante que informe o Serviço de Assistência do seu código de produto e o seu número de série (um código de 16 caracteres que começa com o número 3); este pode ser encontrado no certificado de garantia ou na placa de dados localizada no aparelho.

Ajuda a evitar viagens deslocações desnecessárias dos técnicos, poupando assim as taxas de chamada correspondentes.

Este aparelho está marcado de acordo com a Diretiva europeia 2012/19/CE sobre resíduos de equipamentos elétricos e eletrónicos (REEE).



Os REEE contêm substâncias poluentes (que podem causar consequências negativas para o ambiente) e componentes básicos (que podem ser reutilizados). É importante que os REEE sejam submetidos a tratamentos específicos, de maneira a remover e eliminar adequadamente todos os poluentes, e recuperar e reciclar todos os materiais. Os indivíduos têm um papel importante ao assegurar que os REEE não se tornam num problema ambiental, sendo essencial seguir algumas regras básicas:

Os REEE não devem ser tratados como resíduos domésticos;

Os REEE devem ser entregues nos pontos de recolha relevantes geridos pelo município ou por companhias registadas. Em muitos países pode estar disponível a recolha casa-a-casa, para REEE de grandes dimensões.

Em muitos países, ao comprar um novo aparelho, o antigo pode ser devolvido ao comerciante que tem de o recolher sem qualquer custo, um-para-um, desde que o equipamento seja de tipo equivalente e tenha as mesmas funções que o equipamento fornecido.

# EINBAU- UND BEDIENUNGSANLEITUNG

## **INHALT**

EINLEITUNG	150
SICHERHEITSVORKEHRUNG	150
ELEKTRISCHER ANSCHLUSS	152
SPEZIFIKATION	153
INSTALLATION (ABLUFT NACH DRAUSSEN)	154
INSTALLATION (ABLUFT NACH INNEN)	163
BESCHREIBUNG DER KOMPONENTEN	164
BETRIEB	164
WARTUNG	167
FEHLERSUCHE	168
VEREINBARKEIT MIT DEN RICHTLINIEN	169
UMWELTSCHUTZ	169

## **EINLEITUNG**

**Vielen Dank, dass Sie sich für diese Abzugshaube entschieden haben.**

Diese Bedienungsanleitung enthält notwendigen Anleitungen für die Installation, die Bedienung und die Wartung des Gerätes.

Lesen Sie diese Bedienungsanleitung vor der Installation und Benutzung bitte durch, damit das Gerät richtig und sicher bedient werden kann.

Diese Abzugshaube ist auch hochwertigen Werkstoffen und in einer schlanken Bauweise gefertigt. Ausgestattet mit einem großen, starken Elektromotor und einem Zentrifugalgebläse bietet sie starke Saugleistung, geräuscharmen Betrieb, einen austauschbaren Fettfilter sowie die einfache Montage.

Hiermit erklärt die Candy Hoover Group Srl, dass die Funkausstattung der Richtlinie 2014/53/EU und den einschlägigen gesetzlichen Anforderungen (für den UKCA-Markt) entspricht.

Der vollständige Text der Konformitätserklärung ist unter der folgenden Internet-Adresse verfügbar: [www.candy-group.com](http://www.candy-group.com)

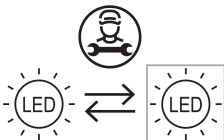
## **SICHERHEITSVORKEHRUNGEN**

- Kinder dürfen das Gerät niemals bedienen.
- Die Abzugshaube ist für den Hausgebrauch und nicht für Grill-Restaurants, Großküchen oder sonstigen gewerblichen Gebrauch geeignet.
- Die Abzugshaube und ihr Filter sollten regelmäßig gereinigt werden, damit sie in einem guten Zustand bleibt.
- Reinigen Sie die Abzugshaube gemäß den Angaben in dieser Bedienungsanleitung und vermeiden Sie Brandgefahr für das Gerät.
- Direktes Backen auf dem Gasherd ist untersagt. Für gute Be- und Entlüftung der Küche sorgen.
- Vergewissern Sie sich, dass das Stromkabel nicht beschädigt ist, bevor Sie das Gerät anschließen. Der Austausch eines defekten Stromkabels muss qualifiziertem Kundendienstpersonal vorbehalten sein.
- Für ausreichende Belüftung sorgen, wenn die Abzugshaube zusammen mit Geräten betrieben wird, die Gas oder Benzin verbrennen.
- Die Abluft sollte nicht in einen Rauchfang geleitet werden, der auch für die Abgase einer Gas- oder Ölheizung verwendet wird.
- Vorschriften zur Abluft müssen befolgt werden.

- Kinder sollten beaufsichtigt werden, um sicherzustellen, dass sie nicht mit dem Gerät spielen.
- Keine Gerichte unter der Abzugshaube flambieren.
- Die Dunstabzugshaube ist nicht für die Montage über einem Herd mit mehr als vier Kochfeldern ausgelegt.
- Für ausreichende Belüftung sorgen, wenn die Abzugshaube zusammen mit Geräten betrieben wird, die Gas oder Benzin verbrennen (gilt nicht für Geräte, die die abgesaugte Luft zurück in den Raum leiten).
- Eine detaillierte Anweisung zur Reinigung und deren Häufigkeit.
- Es besteht ein Brandrisiko, wenn die Reinigung nicht entsprechend dieser Anweisungen durchgeführt wird.
- Keine Gerichte unter der Abzugshaube flambieren;
- **VORSICHT:** Es kann sein, dass bestimmte Teile der Abzugshaube beim Kochen heiß werden.

### **Gefahr von Stromschlägen**

- Dieses Gerät nur mit einer richtig geerdeten Steckdose verbinden. Wenden Sie sich im Zweifel an einen Fachelektriker.
- Bei Zuwiderhandlung besteht Lebensgefahr, Brandgefahr oder Elektroschlaggefahr.



Die in diesem Produkt verwendete Lampe ist nicht für die Beleuchtung eines Raumes geeignet.

Der Zweck dieser Lampe ist die Beleuchtung für die Verwendung des Produkts.



# ELEKTRISCHER ANSCHLUSS

Sämtliche Anschlüsse müssen durch einen Fachmann oder qualifizierten Elektriker vorgenommen werden. Vergewissern Sie sich vor dem Anschluss an das Stromnetz, dass die Netzspannung mit der auf dem Typenschild angegebenen Spannung übereinstimmt.

## Direkter Anschluss

Das Gerät muss mit einem allpoligen Leistungsschalter mit einer Mindestöffnung von 3 mm zwischen den Kontakten direkt an das Stromnetz angeschlossen werden.

Der Installateur muss sicherstellen, dass der Stromanschluss korrekt hergestellt wurde und dem Verdrahtungsplan und den Sicherheitsvorschriften entspricht.

Das Netzkabel darf nicht geknickt oder gequetscht werden.


Überprüfen Sie den Netzstecker und das Netzkabel regelmäßig auf Beschädigungen. Wenn das Netzkabel beschädigt ist, muss es durch ein vom Hersteller oder von seinem Service-Mitarbeiter empfohlenes ausgetauscht werden.

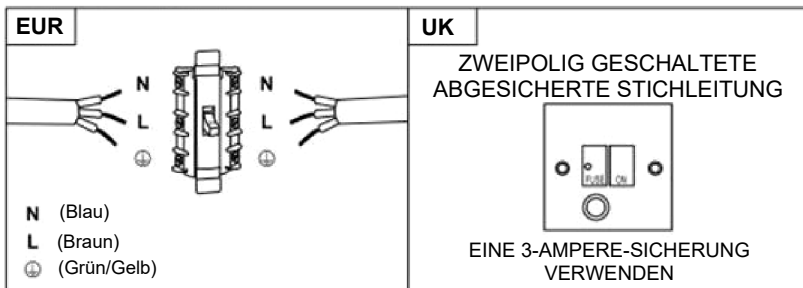
**WARNUNG:** Dies ist ein Gerät der Klasse I und MUSS geerdet werden.

Dieses Gerät wird mit einem 3-adrigen Netzkabel geliefert, das wie folgt gefärbt ist:

Braun = L oder Spannungsführender Draht

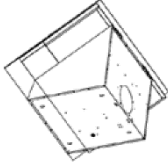
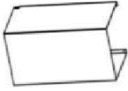





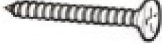



Blau = N oder Neutraleiter

Grün und Gelb = E oder Erdung 



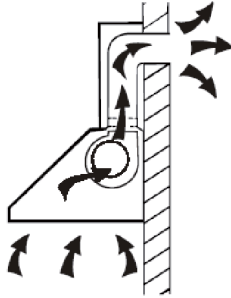
Die Sicherung muss für 3 Ampere ausgelegt sein.

## Standardmäßiges Montagezubehör

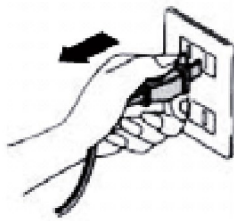
Spez.	Abbildung	Menge
Dunstabzugsgehäuse		1
Unterer Abzug (500 mm)		1
Oberer Abzug (500 mm)		1
Obere Abzugshalterung		1
Untere Abzugshalterung		1
Klemme der Abzugshaube		1
Ø8 Dübel Ø8xØ6 weiße Farbe		9
Schraube (ST4 * 30 mm)		9
Schraube (ST4 * 8 mm)		6
Luftauslass		1
Kohlefilter		2

## **INSTALLATION (Wandmontage)**

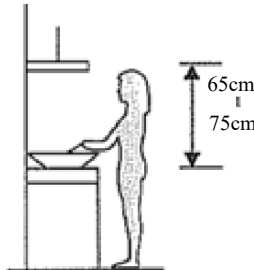
Wenn eine Maueröffnung nach draußen vorhanden ist, kann die Abzugshaube wie unten gezeigt über einen Abluftkanal (Emaille, Aluminium, flexibles Rohr aus unbrennbarem Material mit einem Innendurchmesser von 150 mm) an diese angeschlossen werden.



1. Schalten Sie vor der Installation das Gerät aus und ziehen Sie den Netzstecker.



2. Die Abzugshaube sollte für eine optimale Leistung 65-75 cm über der Kochfläche aufgehängt werden.



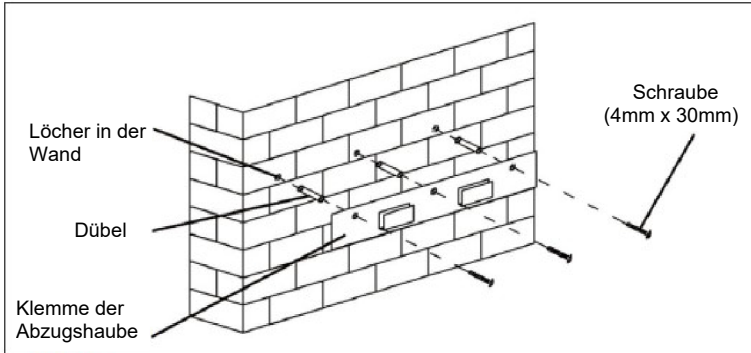
## MONTAGE DER DUNSTABZUGSHAUBE

Halten Sie die Haube in der gewünschten Höhe an die Wand, wobei die Mindesthöhe über dem Kochfeld einzuhalten ist.

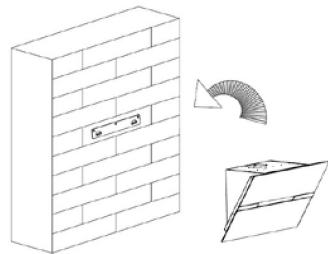
Markieren Sie die Stelle, an der die Wandhalterung angebracht werden soll. (Bohren Sie die Löcher zwischen 700 und 800 mm über der Arbeitsplatte)

Nehmen Sie die Haube ab und halten Sie die Wandhalterung an die Wand, um die Positionen der Löcher zu markieren.

Bohren Sie die 3 Löcher in die Wand, um das entsprechende Befestigungssystem (Schraube ST4x30mm) zu montieren.



Hängen Sie die Haube in die Aussparungen der Wandhalterung ein.

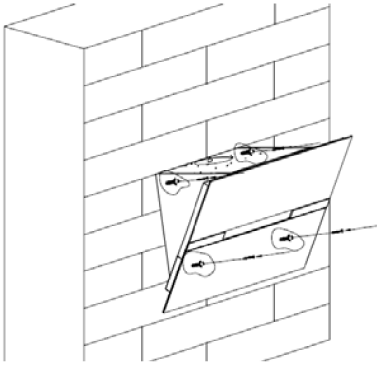


## **MONTAGE DER DUNSTABZUGSHAUBE**

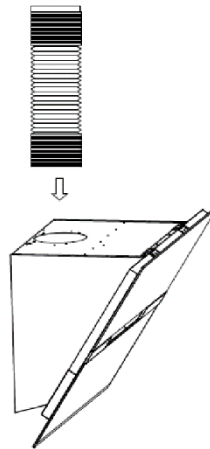
Sobald die Haube ausgerichtet ist, suchen Sie die Stelle der vier zusätzlichen Wandbefestigungsschrauben wie in der folgenden Abbildung gezeigt.

Nehmen Sie die Haube wieder ab, um die Löcher in die Wand zu bohren und setzen Sie Dübel ein.

Befestigen Sie das Gehäuse der Abzugshaube mit vier Schrauben mit einem Durchmesser von 4 mm mit Dübeln an der Wand.



Wenn der Abluftbetrieb gewählt ist, platzieren Sie den Abluftkanal wie abgebildet am Luftauslass.



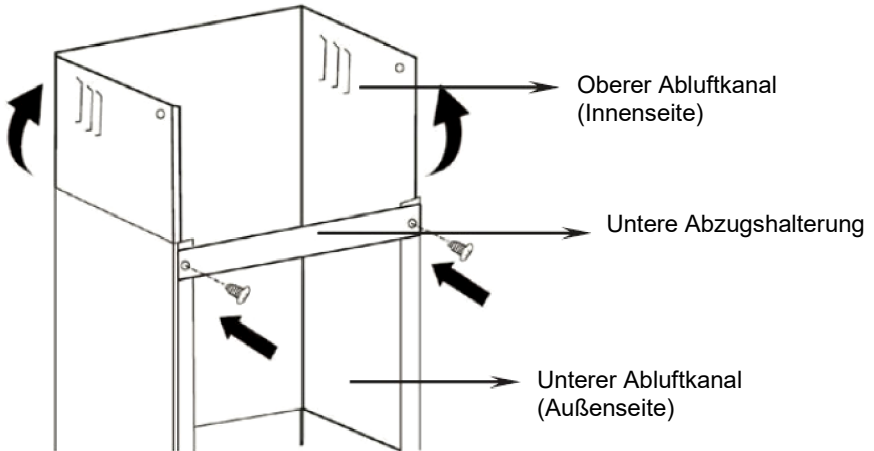
## **MONTAGE DER DUNSTABZUGSHAUBE**

Befestigen Sie die untere Abluftkanalhalterung wie gezeigt am unteren Kanal.

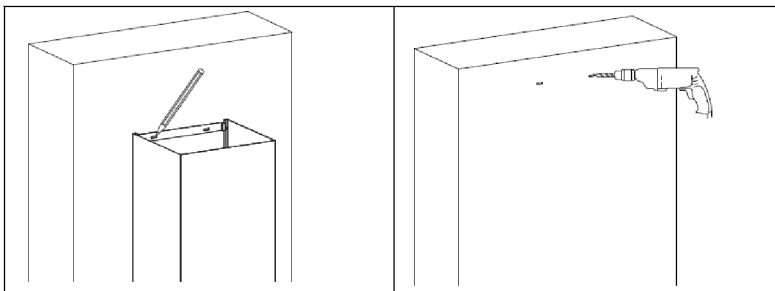
Verwenden Sie 2 Schrauben ST4x8mm.

(Ziehen Sie die Schrauben nicht zu fest an, und achten Sie darauf, dass der obere Abluftkanal leicht in den unteren gleiten kann.)

Setzen Sie den oberen Abluftkanal in den unteren ein.



Setzen Sie den unteren Abluftkanal in das Gerät ein, und markieren Sie dann die Löcher an der Wand.



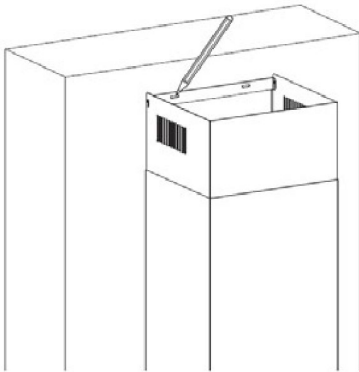
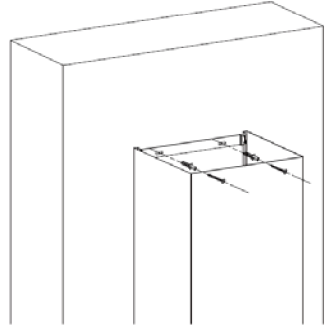
Entfernen Sie den unteren Abluftkanal und bohren Sie Löcher in die Wand:

Loch für Schraube mit Durchmesser Ø8 mm

Verwenden Sie passende Dübel für Ihre Wand.

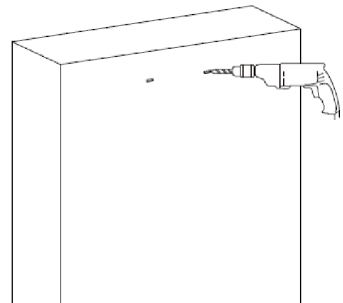
## MONTAGE DER DUNSTABZUGSHAUBE

Montieren Sie den unteren Abluftkanal und schrauben Sie ihn mit 2 Schrauben mit einem Durchmesser von 8 mm an die Wand.



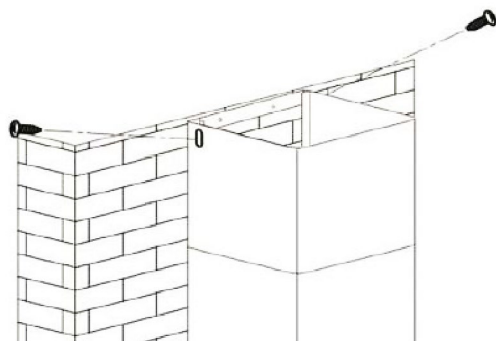
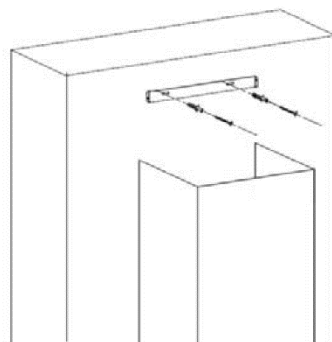
Ziehen Sie dann den oberen Abzug bis zur gewünschten Höhe nach oben. Markieren Sie die Stellen der Befestigungslöcher der oberen Abzugshalterung.

Senken Sie den oberen Abzug ab, und bohren Sie dann Löcher in die Wand. Setzen Sie die zu Ihrer Wand passenden Dübel ein



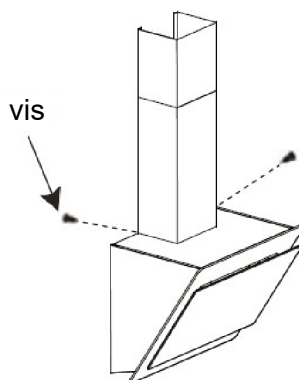
## MONTAGE DER DUNSTABZUGSHAUBE

Befestigen Sie die Wandhalterung des oberen Abzugs mit den ausgewählten Dübeln (8 mm-Schrauben empfohlen) an der Wand.



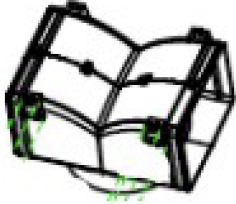




Montieren Sie den oberen Abzug wieder mit 2 Schrauben ST4x8mm an der Wandhalterung.

Befestigen Sie den unteren Abzug mit 2 Schrauben ST4x8mm an den Laschen der Abzugshaube.





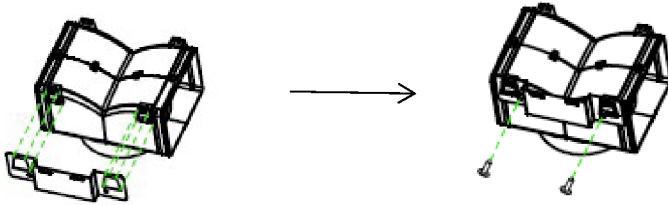
## Standardmäßiges Montagezubehör

Spez.	Abbildung	Menge
Windabweiser		1
Halterung		1
φ8 Dübel φ8xφ6 weiß		2
Schrauben ST4,0x30		2
Schrauben ST3,5x12		2

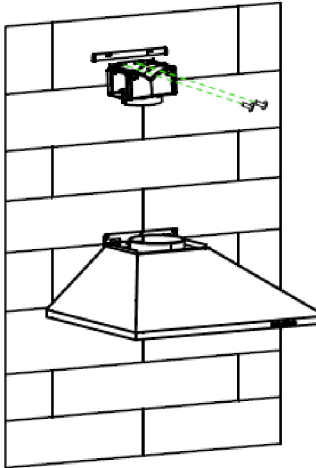
## **EINBAU (WINDABWEISER FÜR MODELLE IN T-FORM, MIT GEBOGENEM GLAS, FLACHGLASMODELLE):**

Der Windabweiser gilt als im Lieferumfang enthalten und nicht als optional.

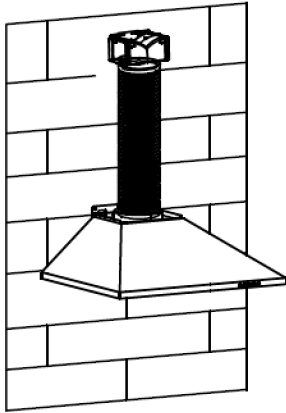
1. Befestigen Sie die Halterung mit 2 mitgelieferten Schrauben (ST3,5x12 mm) wie unten gezeigt am T-förmigen Kunststoffabzug.



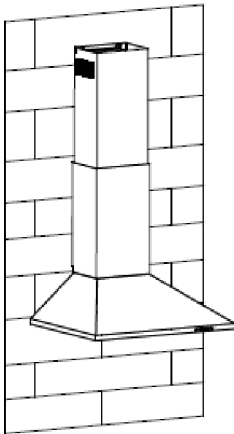
2. Bohren Sie 2 Löcher für die Dübel in die Wand, und schrauben Sie die Halterung mit 2 mitgelieferten Schrauben (ST4x30 mm) an der Wand fest.



3. Befestigen Sie das Abluftrohr wie unten gezeigt am Luftauslass der Dunstabzugshaube:



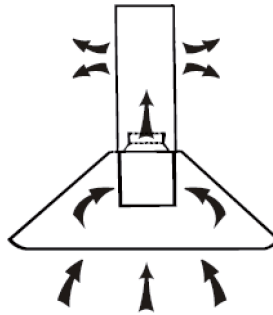
4. Montieren Sie den Abzug an der Haube und befestigen Sie ihn.



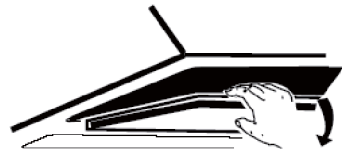
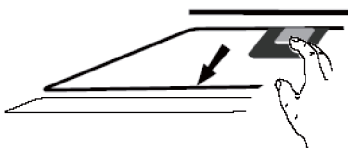
- „Bitte beachten Sie: Der T-förmige Kunststoffauslass und die V-Klappen können nicht gleichzeitig verwendet werden. Sie können sie auf zwei verschiedene Arten nutzen: 1) V-Klappe am vorhandenen Auslass anbringen; 2) T-förmigen Kunststoffauslass verwenden und keine V-Klappe anbringen.“
- „Hinweis: Das Produkt ist mit einem V-Klappen-Zubehör ausgestattet. Dieses Zubehör ist für die Installation, den Betrieb und die Verwendung des Produkts nicht zwingend erforderlich.“

## INSTALLATION (ABLUFT NACH INNEN)

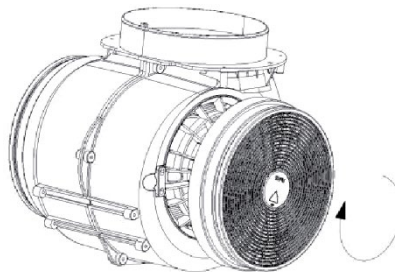
Wenn Sie keinen Abzug ins Freie haben, wird das Abluftrohr nicht benötigt. Die Montage ist der im Abschnitt „INSTALLATION (ABLUFT NACH DRAUSSEN)“ beschriebenen vergleichbar.



Aktivkohlefilter schließen unangenehme Gerüche ein. Bevor der Aktivkohlefilter installiert wird, muss zuerst der Fettfilter abgenommen werden. Die Sperre drücken und nach unten ziehen.



Den Aktivkohlefilter in das Gerät einstecken und im Uhrzeigersinn drehen. Den Vorgang auf der anderen Seite wiederholen.



SCHLIESSEN

### **HINWEIS:**

- Prüfen Sie, ob der Filter sicher verankert ist. Anderenfalls kann er herausfallen und gefährliche Unfälle verursachen.
- Bei Verwendung eines Aktivkohlefilters wird die Absaugkraft herabgesetzt.

# BESCHREIBUNG DER KOMPONENTEN

## KONFIGURATION 1

1

2

3

B

B<sup>+</sup>



### BETRIEB

1

#### **Taste „Niedrige Geschwindigkeit“**

Für die Belüftung der Küche. Geeignet für das Sieden und Garen mit geringer Dunstentwicklung.

2

#### **Taste „Mittlere Geschwindigkeit“**

Die ideale Luftstromgeschwindigkeit während normalem Kochen/Garen.

3

#### **Taste „Hohe Geschwindigkeit“**

Wenn viel Dampf oder dichter Dunst erzeugt wird, drücken Sie die Taste „Hohe Geschwindigkeit“ für die höchste Abluftleistung.

B

#### **Boost 1 (Geschwindigkeit 4)**

Drücken Sie die Geschwindigkeitstaste B 1, die Hintergrundbeleuchtung der Taste leuchtet auf, und die Dunstabzugshaube arbeitet im Boost-Modus.

B<sup>+</sup>

#### **Boost 2 (Geschwindigkeit 5)**

Drücken Sie die Geschwindigkeitstaste B 2, die Hintergrundbeleuchtung der Taste leuchtet auf, und die Dunstabzugshaube arbeitet im Boost-Modus.



#### **Beleuchtung**

**Kurzes Drücken, um Beleuchtung an- und auszuschalten**

**Schnell-Timer:** Drücken Sie die Lichttaste 3 Sekunden lang. Die Tasten für die Gebläsegeschwindigkeit blinken und zählen bis zu 5 Minuten herunter, nach 5 Minuten schalten sich der Motor und das Licht automatisch aus und es ertönt ein dreimaliger Signalton.



#### **Verbindung mit dem WLAN**

Drücken Sie lange das WLAN-Symbol und öffnen Sie in den Verbindungsmodus: Die Hintergrundbeleuchtung des WLAN-Symbols blinkt und zeigt an, dass die Verbindung hergestellt wird. Wenn die Hintergrundbeleuchtung des WLAN-Symbols leuchtet, wurde die Verbindung hergestellt. Dasselbe gilt für den Standby-Modus; drücken Sie erneut lange auf das WLAN-Symbol und die Verbindung wird beendet.

## KONFIGURATION 2

1

2

3

B



### STANDBY-MODUS.

Nach der Verbindung mit der Stromquelle ist das Gerät im **STANDBY-MODUS**.

1

#### **Taste „Niedrige Geschwindigkeit“**

Für die Belüftung der Küche. Geeignet für das Sieden und Garen mit geringer Dunstentwicklung.

2

#### **Taste „Mittlere Geschwindigkeit“**

Die ideale Luftstromgeschwindigkeit während normalem Kochen/Garen.

3

#### **Taste „Hohe Geschwindigkeit“**

Wenn viel Dampf oder dichter Dunst erzeugt wird, drücken Sie die Taste „Hohe Geschwindigkeit“ für die höchste Abluftleistung.

B

#### **Booster-Funktion**

Diese Haube hat eine Booster-Funktion. Um den Booster zu aktivieren, drücken Sie B bis zur höchsten Geschwindigkeit 4. Während die Haube in Betrieb ist, wird die Geschwindigkeit 5 Minuten lang erhöht, bevor sie sich wieder verlangsamt wird.



#### **Beleuchtung**

**Kurzes Drücken, um Beleuchtung an- und auszuschalten**

**Schnell-Timer:** Drücken Sie die Lichttaste 3 Sekunden lang. Die Tasten für die Gebläsegeschwindigkeit blinken und zählen bis zu 5 Minuten herunter, nach 5 Minuten schalten sich der Motor und das Licht automatisch aus und es ertönt ein dreimaliger Signalton.



#### **Verbindung mit dem WLAN**

Drücken Sie lange das WLAN-Symbol und öffnen Sie in den Verbindungsmodus: Die Hintergrundbeleuchtung des WLAN-Symbols blinkt und zeigt an, dass die Verbindung hergestellt wird. Wenn die Hintergrundbeleuchtung des WLAN-Symbols leuchtet, wurde die Verbindung hergestellt. Dasselbe gilt für den Standby-Modus; drücken Sie erneut lange auf das WLAN-Symbol und die Verbindung wird beendet.

Laden Sie die hOn-App herunter



Laden Sie zunächst die hOn-APP herunter und installieren Sie sie auf Ihrem Handy oder Tablet. Dann melden Sie Ihre Dunstabzugshaube an.



## HINWEIS

Get ready to add your appliance

- 1 Stay close to your appliance
- 2 While in front of your appliance, ensure that your smartphone is connected to a 2.4GHz Wi-Fi network with a stronger signal  
[CHANGE WI-FI SETTINGS](#)
- 3 Public networks are not allowed due to low security and reliability.
- 4 Prepare to enter your Home Wi-Fi password.

## REGISTRIERUNG DER HAIER-DUNSTABZUGSHAUBE



Die Abbildung der Dunstabzugshaube dient nur zu Illustrationszwecken. Sie weicht möglicherweise vom gekauften Produkt ab.

1- Drücken Sie die WLAN-Taste, bis das Symbol zu blinken beginnt.

Wenn die Kopplung abgeschlossen ist, leuchtet das WLAN-Symbol.

## **WARTUNG**

Vor der Reinigung muss das Gerät ausgeschaltet und der Stecker gezogen werden.

### **I. Regelmäßige Reinigung**

Verwenden Sie ein weiches Tuch, angefeuchtet mit handwarmem, milden Seifenwasser oder einem Haushaltsreiniger. Das Gerät niemals mit Metallpads, Chemikalien, Scheuermitteln oder einer harten Bürste reinigen.

### **II. Monatliche Reinigung des Fettfilters**

*WICHTIG: Um Brandgefahr zu vermeiden, sollte der Filter monatlich gereinigt werden.*

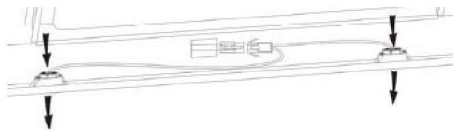
Im Filter sammeln sich Fett, Rauch und Staub somit wirkt der Filter sich direkt auf die Leistung der Abzugshaube aus. Wenn er nicht gereinigt wird, verstopfen (möglicherweise entzündliche) Fettrückstände den Filter. Reinigen Sie ihn mit Haushaltsreiniger.

### **III. Jährliche Reinigung des Aktivkohlefilters**

AUSSCHLIESSLICH für Geräte, die als Umlufthauben montiert sind (keine Entlüftung ins Freie). Der Filter beseitigt Gerüche und muss, abhängig von der Häufigkeit der Verwendung des Herds, mindestens einmal jährlich ausgetauscht werden.

### **IV. Wechseln der Glühbirne**

Die Schrauben am Glas lösen und das Glas abnehmen. Ermitteln Sie die Glühbirne, die ausgetauscht werden muss. Sie befindet sich in dem Beleuchtungskörper im freigelegten Bereich des Abzugs.



Lösen Sie die Verkabelung und nehmen Sie die Leuchtenhalter und das Kabel aus der Haube. Wichtig: Die Glühbirnen können nicht einzeln ausgetauscht werden, das heißt, Glühbirnen, Halter und Verkabelung müssen als kompletter Satz ausgetauscht werden. (LED-Beleuchtung: MAX. 1,5 W).

Montieren Sie die Ersatzbirnen, Halter und Verkabelung entsprechend den Originalteilen. Schließen Sie die Verkabelung dann wieder an.



Die Glashaube wieder einsetzen und mit den Glasschrauben verschrauben.  
Die Schrauben müssen vollständig angezogen sein.

## **FEHLERSUCHE**

<b>Fehler</b>	<b>Ursache</b>	<b>Lösung</b>
Licht an, aber Gebläse läuft nicht.	Gebläseschaufel blockiert.	Das Gerät ausschalten; die Reparatur muss qualifiziertem Kundendienstpersonal vorbehalten sein.
	Der Motor ist beschädigt.	
Beide Lichter an, aber Gebläse läuft nicht.	Halogenbirne durchgebrannt.	Gegen eine Birne mit identischer Leistung austauschen.
	Stromkabel lose.	In die Steckdose einstecken.
Starke Vibrationen des Gerätes.	Gebläseschaufel beschädigt.	Das Gerät ausschalten; die Reparatur muss qualifiziertem Kundendienstpersonal vorbehalten sein.
	Gebläsemotor nicht richtig befestigt.	Das Gerät ausschalten; die Reparatur muss qualifiziertem Kundendienstpersonal vorbehalten sein.
	Die Haube ist nicht richtig in die Halterung eingehängt.	Die Haube abnehmen und die Position der Halterung überprüfen.
Schlechte Absaugleistung.	Distanz zwischen Gerät und Kochfeld zu groß.	Distanz neu anpassen: 65 bis 75 cm.

Technologie	WLAN
Standard	802.11 b/g/n
Frequenzbandbereich(e) [MHz]	2400 MHz - 2483,5 MHz
Maximale Leistung [mW]	100 mW

<b>Produktinformationen für vernetzte Geräte</b>	
Stromverbrauch des Produkts im vernetzten Standby-Modus, wenn alle verkabelten Netzwerkanschlüsse verbunden und alle drahtlosen Netzwerkanschlüsse aktiviert sind:	2 W
So aktivieren Sie einen drahtlosen Netzwerkanschluss:	Wenn die Haube mit der APP angemeldet wurde, schalten Sie sie ein, um den drahtlosen Netzwerkanschluss zu aktivieren.
So deaktivieren Sie einen drahtlosen Netzwerkanschluss:	Wenn die Haube mit der APP angemeldet wurde, schalten Sie sie aus, um den drahtlosen Netzwerkanschluss zu deaktivieren. Wenn die Haube nicht mit der APP angemeldet wurde, wird der drahtlose Netzwerkanschluss deaktiviert, auch wenn die Haube eingeschaltet ist.

## **KUNDENDIENST**

Falls Sie die Ursache des Fehlers nicht ermitteln können, schalten Sie das Gerät bitte aus und wenden Sie sich an den Kundendienst.

**PRODUKT-SERIENNUMMER** Wo finde ich sie?

Es ist wichtig, dass Sie dem Kundendienst Ihren Produktcode und die Seriennummer nennen (ein 16-stelliger Code, der mit „3“ beginnt).

Diese Angaben können Sie der Garantiekarte oder dem Typenschild am Gerät entnehmen.

Auf diese Weise werden unnötiger Aufwand für die Techniker und (am Wichtigsten) unnötige Telefon-/Kommunikationskosten vermieden.

Dieses Elektrohaushaltsgerät ist entsprechend der EU-Richtlinie 2012/19/CE über Elektro- und Elektronik-Altgeräte (WEEE) gekennzeichnet.



Elektro- und Elektronik-Altgeräte enthalten umweltschädigende Substanzen, aber auch Grundkomponenten, die wiederverwendet werden können. Daher ist es wichtig, Elektro- und Elektronik-Altgeräte spezifisch zu entsorgen, um alle schädlichen Substanzen zu entfernen und wiederverwendbare Teile zu recyceln.

Verbraucher leisten einen wichtigen Beitrag zur Gewährleistung, dass Elektro- und Elektronik-Altgeräte nicht zu einem Umweltproblem werden. Halten Sie sich daher bitte an die folgenden Grundregeln:

Elektro- und Elektronik-Altgeräte dürfen nicht mit dem normalen Hausmüll entsorgt werden.

Elektro- und Elektronik-Altgeräte müssen bei zugelassenen Sammelstellen abgegeben werden, die von der Stadtverwaltung oder anderen zuständigen Stellen verwaltet werden. In vielen Ländern wird für die Entsorgung großer Elektro- und Elektronik-Altgeräte ein Abholservice angeboten.

Beim Kauf eines neuen Geräts wird das alte möglicherweise vom Händler zurückgenommen, der es kostenfrei entsorgt, sofern das neue Gerät von einem ähnlichen Typ ist und die gleiche Funktion erfüllt wie das Altgerät.

# INSTRUKCJA MONTAŻU I OBSŁUGI

## **SPIS TREŚCI**

WSTĘP	170
ŚRODKI OSTROŻNOŚCI	170
INSTALACJA ELEKTRYCZNA	172
SPECYFIKACJA	173
INSTALACJA (WENTYLACJA ZEWNĘTRZNA)	174
INSTALACJA (WENTYLACJA WEWNĘTRZNA)	183
OPIS ELEMENTÓW	184
OBSŁUGA	184
KONSERWACJA	187
ROZWIĄZYWANIE PROBLEMÓW	188
ZGODNOŚĆ Z DYREKTYWAMI	189
OCHRONA ŚRODOWISKA	189

## **WSTĘP**

### **Dziękujemy za wybranie naszego okapu kuchennego.**

Niniejsza instrukcja obsługi zawiera wszystkie wymagane instrukcje dotyczące montażu, użytkowania i konserwacji urządzenia.

Aby zapewnić prawidłową i bezpieczną obsługę urządzenia, przed jego instalacją i użytkowaniem należy dokładnie zapoznać się z niniejszą instrukcją obsługi.

Okap wykonany jest z wysokiej jakości materiałów i cechuje się opływowym wzornictwem. Wyposażony w silnik elektryczny o dużej mocy i wentylator odśrodkowy, zapewnia również dużą siłę ssania, cichą pracę, filtr tłuszczu zapobiegający przywieraniu i łatwy montaż.

Niniejszym Candy Hoover Group Srl oświadcza, że sprzęt radiowy jest zgodny z Dyrektywą 2014/53/UE oraz z odpowiednimi wymogami ustawowymi (dla rynku UKCA).

Pełny tekst deklaracji zgodności dostępny jest na stronie internetowej pod następującym adresem: [www.candy-group.com](http://www.candy-group.com)

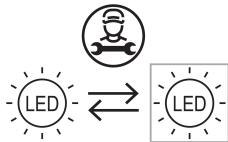
## **ŚRODKI OSTROŻNOŚCI**

- Nigdy nie pozwalać dzieciom obsługiwać urządzenia.
- Okap kuchenny jest przeznaczony wyłącznie do użytku domowego, nie nadaje się do grillowania, punktu gastronomicznego z daniami pieczonymi i innych celów komercyjnych.
- Aby utrzymać okap kuchenny w dobrym stanie technicznym, należy regularnie czyścić okap i filtr.
- Oczyszczyć okap zgodnie z instrukcją obsługi i chronić urządzenie przed niebezpieczeństwem przypalenia.
- Zabrania się bezpośredniego pieczenia na kuchence gazowej. W kuchni należy zapewnić odpowiednią wentylację.
- Przed podłączeniem urządzenia należy sprawdzić, czy przewód zasilający nie jest uszkodzony. Uszkodzony przewód zasilający może być wymieniany wyłącznie przez wykwalifikowany personel serwisowy.
- W przypadku gdy okap kuchenny jest używany w tym samym czasie co urządzenia spalające gaz lub inne paliwa, musi być zapewniona odpowiednia wentylacja pomieszczenia;
- Nie wolno odprowadzać powietrza do przewodu kominowego wykorzystywanego do odprowadzania spalin z urządzeń spalających gazy lub inne paliwa;
- Należy zachować zgodność z przepisami dotyczącymi odprowadzania powietrza.

- Należy pilnować dzieci, aby nie bawiły się urządzeniem.
- Nie należy zbliżać płomienia do okapu kuchennego.
- Okap kuchenny nie jest przeznaczony do montażu nad płytą grzewczą posiadającą więcej niż cztery elementy płyty grzewczej
- W przypadku gdy okapy używane są w tym samym czasie co urządzenia spalające gaz lub inne paliwa, musi być zapewniona odpowiednia wentylacja pomieszczenia (nie dotyczy urządzeń, które wyłącznie odprowadzają powietrze do pomieszczenia);
- szczegółowe informacje na temat metody i częstotliwości czyszczenia.
- jeżeli czyszczenie nie odbywa się zgodnie z instrukcjami, istnieje zagrożenie pożarowe;
- Nie zbliżać płomienia do okapu nadkuchennego;
- **OSTROŻNIE:** Dostępne części mogą się nagrzewać podczas używania z urządzeniami do gotowania.

### **Zagrożenie porażeniem prądem elektrycznym**

- Urządzenie należy podłączać wyłącznie do odpowiednio uziemionego gniazdka. W razie wątpliwości należy skonsultować się z odpowiednio wykwalifikowanym technikiem.
- Nieprzestrzeganie tych instrukcji może spowodować śmierć, pożar lub porażenie prądem elektrycznym.



Lampa zastosowana w tym produkcie nie nadaje się do oświetlenia pomieszczenia.

Zadaniem tej lampy jest zapewnienie oświetlenia podczas użytkowania produktu.

## INSTALACJA ELEKTRYCZNA

Wszelkie instalacje muszą być wykonane przez kompetentną osobę lub wykwalifikowanego elektryka. Przed podłączeniem zasilania sieciowego upewnij się, że napięcie sieciowe odpowiada napięciu na tabliczce znamionowej.

### Bezpośrednie połączenie

Urządzenie musi być podłączone bezpośrednio do sieci za pomocą wyłącznika wielobiegunowego z minimalnym otwarciem 3 mm między stykami.

Instalator musi upewnić się, że wykonano prawidłowe połączenie elektryczne i jest ono zgodne ze schematem elektrycznym.


Przewód nie może być zgięty ani ściśnięty.

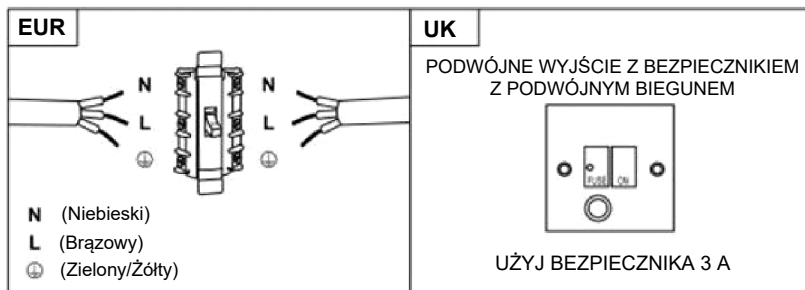
Regularnie sprawdzaj wtyczkę i przewód zasilający pod kątem uszkodzeń. Jeśli przewód zasilający jest uszkodzony, należy go wymienić na specjalny przewód lub zestaw dostępny u producenta lub jego przedstawiciela serwisowego.

**OSTRZEŻENIE:** Jest to urządzenie klasy I i **MUSI** być uziemione. To urządzenie jest dostarczane z 3-żyłowym kablem zasilającym w następującym kolorze:

Brązowy = L lub Żywy

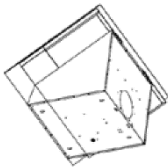
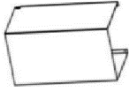









Niebieski = N lub Neutralny

Zielony i Żółty = E lub Ziemia 



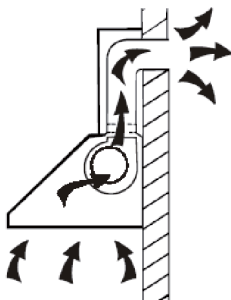
Bezpiecznik musi mieć wartość znamionową 3 A.

## Lista standardowych akcesoriów instalacyjnych

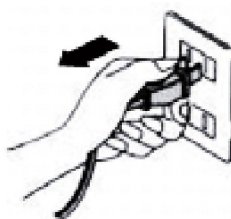
Spec.	Zdjęcie ilustracji	Ilość
Korpus kaptura		1
Dolny komin (500mm)		1
Górny komin (500mm)		1
Uchwyt górnego komina		1
Uchwyt dolnego komina		1
Wspornik okapu kuchennego		1
Ø8 kołki rozporowe Ø8xØ6 kolor biały		9
Śruby (ST4 * 30 mm)		9
Śruby (ST4 * 8 mm)		6
Wylot powietrza		1
Filtr węglowy		2

## **INSTALACJA (Montaż naścienny)**

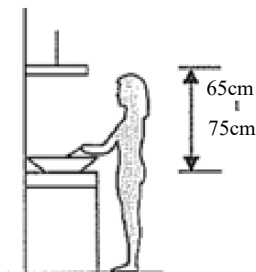
Jeśli dostępny jest wylot na zewnątrz, okap można połączyć przewodem odpływowym (emalia, aluminium, elastyczna rura materiał niepalny średnicy wewnętrznej 150 mm)



1. Przed montażem należy wyłączyć urządzenie i odłączyć je od źródła zasilania.



2. Aby uzyskać optymalny efekt, okap należy umieścić w odległości 65~75 cm nad płaszczyzną gotowania.



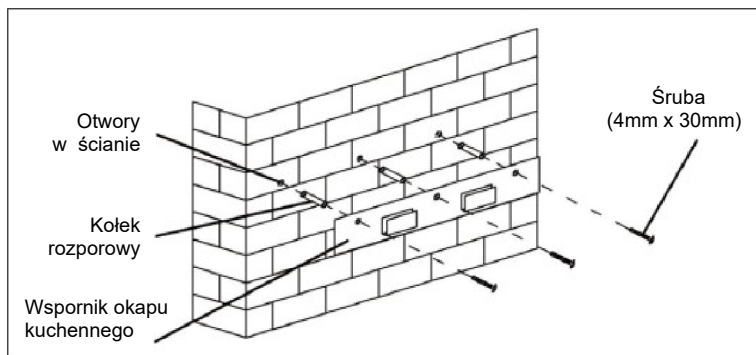


## MONTAŻ OKAPU

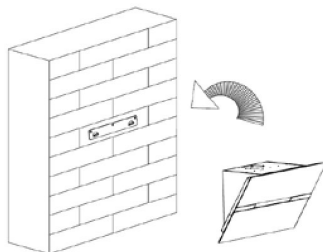
Ustaw okap na żądanej wysokości, przestrzegając minimalnej wysokości nad płytą grzejną.

Zaznacz położenie wspornika ściennego. (Umieść otwory między 700 a 800 mm nad blatem) Zdejmij okap i umieść wspornik ścienny, aby zaznaczyć położenie otworów na ścianie.

Wywierć 3 otwory w ścianie, aby wstawić odpowiedni system mocowania (śruba ST4x30mm).



Zawieś okap w wycięciach wspornika ściennego.

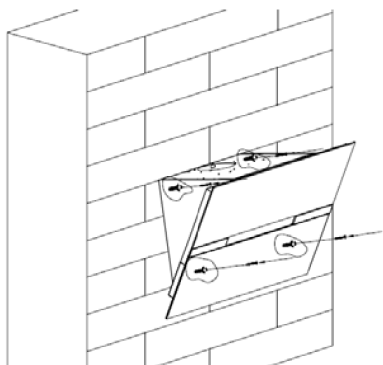


## **MONTAŻ OKAPU**

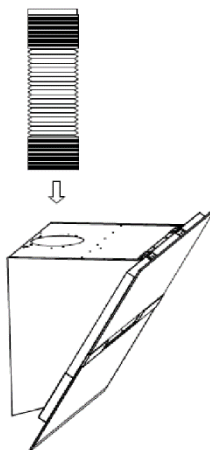
Po założeniu okapu zlokalizuj położenie 4 dodatkowych śrub do montażu na ścianie, jak pokazano na poniższym schemacie.

Zdejmij kaptur, aby przebić ścianę i zainstaluj kołki.

Przymocuj korpus okapu 4 śrubami o średnicy 4 mm za pomocą kołków dopasowanych do Twojej ściany.



Jeśli wybrano tryb wyciągu, umieść przewód powietrza wylotowego na wylocie powietrza, jak pokazano na rysunku.



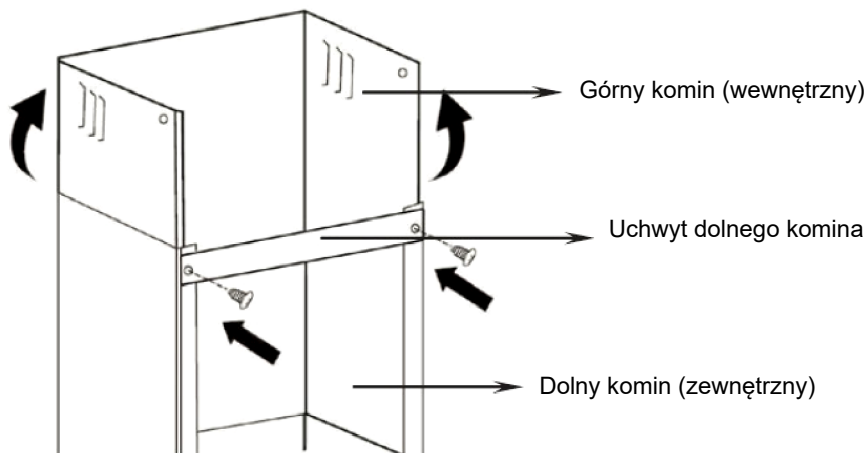
## MONTAŻ OKAPU

Przymocuj dolny wspornik komina do dolnego komina, jak pokazano na rysunku.

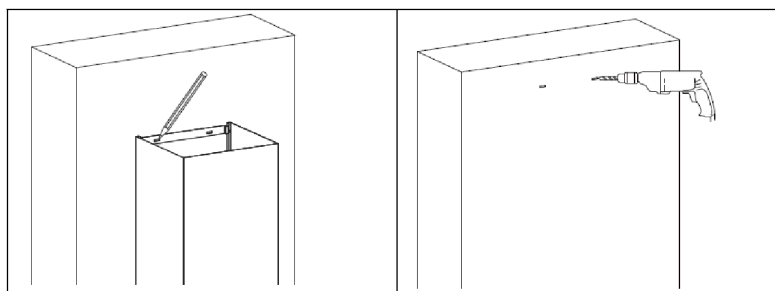
Użyj 2 śrub ST4x8mm.

(Nie dokręcaj zbyt mocno śrub, upewnij się, że górny komin może łatwo wsunąć się w dolny komin)

Włóż górny komin do dolnego komina.



Umieść dolny komin w urządzeniu, a następnie zaznacz otwory na ścianie.

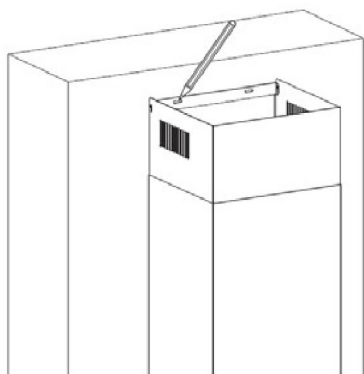
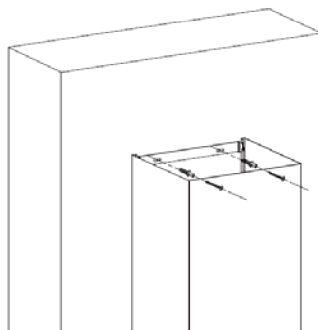


Zdejmij dolny komin, a następnie wywierć otwory w ścianie: otwór na śrubę Ø8 mm

Użyj kołków dostosowanych do Twojej ściany

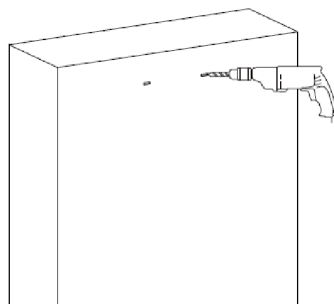
## MONTAŻ OKAPU

Zamontuj dolny komin, a następnie przykręć go do ściany 2 śrubami o średnicy  $\varnothing$  8 mm



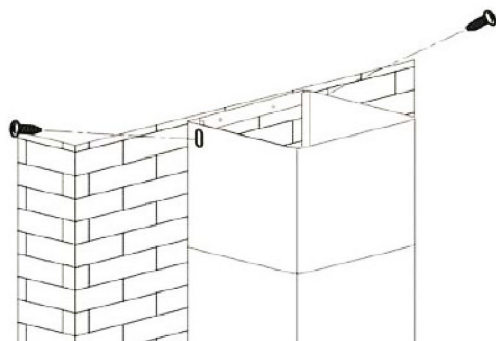
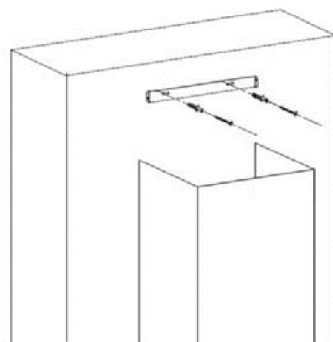
Następnie pociągnij górny komin do góry na żadaną wysokość. Zaznacz położenie otworów montażowych górnej podpory kominu.

Opuść górny komin, a następnie wywierć otwory w ścianie. Włóż kołki dopasowane do Twojej ściany



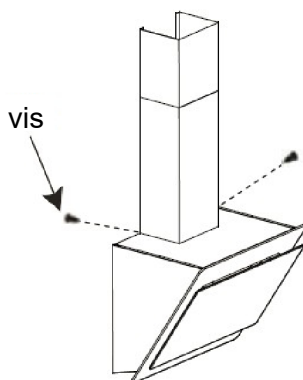
## MONTAŻ OKAPU

Przymocuj wspornik ścienny górnego komina do ściany za pomocą wybranych kołków (zalecane wkręty 8 mm).

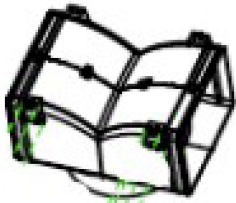






Zamontuj górny komin i przymocuj go do wspornika ściennego za pomocą 2 śrub ST4x8mm

Przymocuj dolny komin do uch okapu kuchennego za pomocą 2 wkrętów ST4x8mm.



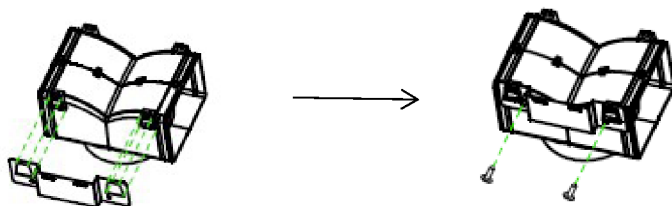
## Lista standardowych akcesoriów instalacyjnych

Spec.	Zdjęcie ilustracji	Ilość
Deflektor powietrza		1
Wspornik		1
$\varnothing 8$ kołków rozporowych $\varnothing 8 \times \varnothing 6$ kolor biały		2
Śruby ST4.0x30		2
Śruby ST3,5x12		2

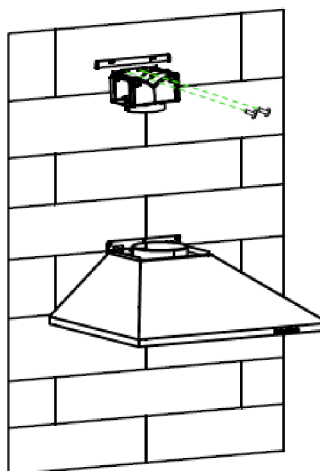
## **MONTAŻ (ODWIEWKA POWIETRZA DO MODELI W KSZTAŁCIE T, SZKŁA GIĘTEGO, SZKŁA PŁASKIEGO):**

Deflektor powietrza jest wymieniony jako dołączony, a nie opcjonalny.

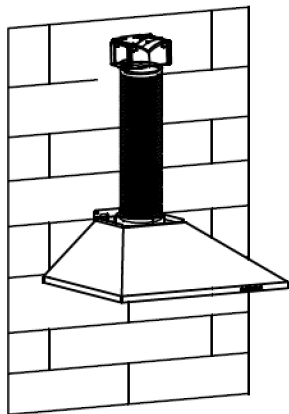
1. Zamocuj wspornik do plastikowego wylotu w kształcie litery T za pomocą 2 szt. śrub ST3,5x12mm dostarczonych, jak pokazano poniżej:



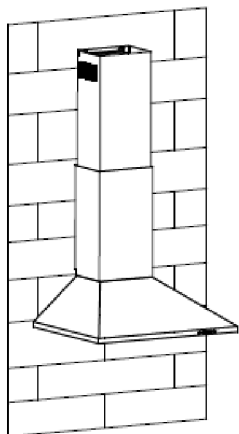
2. Wywierć 2 otwory w ścianie, aby umieścić kołki rozporowe, a następnie przykręć i dokręć wspornik do ściany za pomocą dołączonych 2 szt. wkrętów ST4x30mm.



3. Przymocuj rurę wydechową do wylotu powietrza okapu kuchennego, jak pokazano poniżej:



4. Zamontuj komin do urządzenia i zamocuj go.

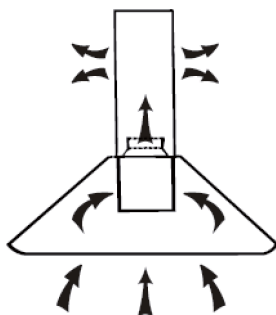


- „Proszę zauważyć: Wylot plastikowy w kształcie litery T i klapki w kształcie litery V nie mogą być używane jednocześnie. Możesz ich użyć na dwa różne sposoby: 1) Dodaj klapkę w kształcie litery V na istniejącym wylocie; 2) Użyj plastikowego wylotu w kształcie litery T, bez dodawania klapki w kształcie litery V.”
- „Uwaga: Produkt jest dostarczany z akcesorium V-flap. To akcesorium nie jest obowiązkowe do instalacji, obsługi i użytkowania produktu.”

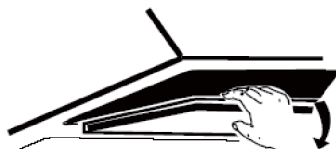
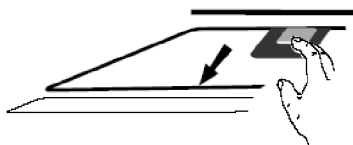


## INSTALACJA (WENTYLACJA WEWNĘTRZNA)

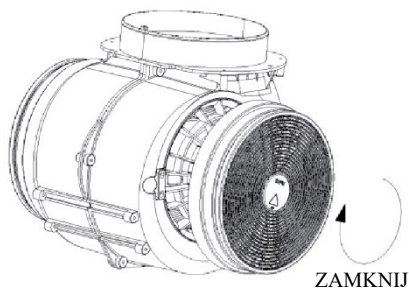
Jeśli nie ma wyprowadzenia na zewnątrz, rura odprowadzająca nie jest wymagana, a instalacja jest podobna do tej pokazanej w rozdziale „INSTALACJA (WENTYLACJA ZEWNĘTRZNA)”.



Filtr z węglem aktywnym służy do neutralizowania zapachów. Aby zainstalować filtr z węglem aktywnym, należy najpierw wymontować filtr tłuszczu. Nacisnąć blokadę i pociągnąć w dół.



Włożyć filtr z węglem aktywnym do systemu i obrócić zgodnie z ruchem wskazówek zegara. Powtórzyć czynności z drugiej strony.



**UWAGA;**

- Upewnij się, że filtr jest bezpiecznie zablokowany. W przeciwnym razie może się obluźnić i wywołać zagrożenie.
- Po podłączeniu filtra z węglem aktywnym, moc ssania będzie mniejsza

## OPIS ELEMENTÓW

### KONFIGURACJA 1

1

2

3

B

B<sup>+</sup>



#### OBŚLUGA

1

##### **Przycisk niskich obrotów**

Służy do wentylacji kuchni. Odpowiedni do gotowania na wolnym ogniu i innych czynności wytwarzających niewielką ilość pary.

2

##### **Przycisk średnich obrotów**

Ta prędkość zasysania powietrza jest idealna do wentylacji przy standardowym gotowaniu.

3

##### **Przycisk wysokich obrotów**

Jeżeli wydobywa się gęsty dym lub para, naciśnięcie przycisku wysokich obrotów, aby zapewnić skuteczną wentylację.

B

##### **Boost 1 (prędkość 4)**

Naciśnij przycisk prędkości b 1, podświetlenie przycisku prędkości B jest włączone, a okap pracuje w trybie doładowania;

B<sup>+</sup>

##### **Boost 2 (prędkość 5)**

Naciśnij przycisk prędkości b 2, podświetlenie przycisku prędkości B+ zaświeci się, a okap pracuje w trybie doładowania;



##### **Oświetlenie**

##### **Krótkie naciśnięcie do włączania i wyłączenia oświetlenia**

**Minutnik:** Przytrzymaj przycisk światła przez 3 sekundy, przyciski prędkości wentylatora będą migać i odliczają 5 minut, po 5 minutach silnik i światło wyłączą się automatycznie z trzema dźwiękami brzęczyka.



##### **Połączenie Wi-Fi**

Długie naciśnięcie ikony Wi-Fi i wejście w tryb połączenia: podświetlenie ikony Wi-Fi miga, co wskazuje, że połączenie jest w trakcie łączenia, podświetlenie ikony Wi-Fi świeci, co oznacza, że jest podłączone, tak samo w trybie gotowości; ponownie długo naciśnij ikonę WiFi, a połączenie zostanie zatrzymane;

## KONFIGURACJA 2

1

2

3

B



### TRYB CZUWANIA.

Po podłączeniu oświetlenie, system w **TRYBIE CZUWANIA**

1

#### **Przycisk niskich obrotów**

Służy do wentylacji kuchni. Odpowiedni do gotowania na wolnym ogniu i innych czynności wytwarzających niewielką ilość pary.

2

#### **Przycisk średnich obrotów**

Ta prędkość zasysania powietrza jest idealna do wentylacji przy standardowym gotowaniu.

3

#### **Przycisk wysokich obrotów**

Jeżeli wydobywa się gęsty dym lub para, nacisnąć przycisk wysokich obrotów, aby zapewnić skuteczną wentylację.

B

#### **Funkcja wzmocnienia**

Ten okap ma funkcję wzmocnienia. Aby ją aktywować, naciśnij B do prędkości 4; ustaw najwyższą moc działania okapu. Okap będzie pracować z najwyższą mocą przez 5 minut zanim ponownie zwolni.



#### **Oświetlenie**

##### **Krótkie naciśnięcie do włączania i wyłączenia oświetlenia**

**Minutnik:** Przytrzymaj przycisk światła przez 3 sekundy, przyciski prędkości wentylatora będą migać i odliczają 5 minut, po 5 minutach silnik i światło wyłączą się automatycznie z trzema dźwiękami brzęczyka.



#### **Połączenie Wi-Fi**

Długie naciśnięcie ikony Wi-Fi i wejście w tryb połączenia: podświetlenie ikony Wi-Fi miga, co wskazuje, że połączenie jest w trakcie łączenia, podświetlenie ikony Wi-Fi świeci, co oznacza, że jest podłączone, tak samo w trybie gotowości; ponownie długo naciśnij ikonę WiFi, a połączenie zostanie zatrzymane;

Pobierz aplikację hOn



Przed wszystkim należy pobrać APLIKACJĘ hOn i zainstalować ją na swoim urządzeniu przenośnym. Następnie zarejestruj swój okap.



## UWAGA

Get ready to add your appliance

- 1 Stay close to your appliance
- 2 While in front of your appliance, ensure that your smartphone is connected to a 2.4GHz Wi-Fi network with a stronger signal  
[CHANGE WI-FI SETTINGS](#)
- 3 Public networks are not allowed due to low security and reliability.
- 4 Prepare to enter your Home Wi-Fi password.

## REJESTRACJA OKAPU HAIER



*Obraz okapu ma na celu jedynie jego przedstawienie. Może nie być idealnie reprezentatywny.*

1- Naciśnij przycisk WiFi, aż ikona zacznie migać. Po zakończeniu parowania ikona WiFi będzie włączona.

## **KONSERWACJA**

Przed czyszczeniem wyłączyć urządzenie i wyjąć wtyczkę z gniazdka.

### **I. Regularne czyszczenie**

Używać miękkiej ściereczki zwilżonej ciepłą wodą z mydłem lub domowego środka czyszczącego. Nigdy nie używać do czyszczenia metalowych łopatek, materiałów ściernych ani sztywnej szczotki.

### **II. Comiesięczne czyszczenie filtra tłuszczu**

*WAŻNE: Czyszczenie filtra co miesiąc zapobiega ryzyku pożaru.*

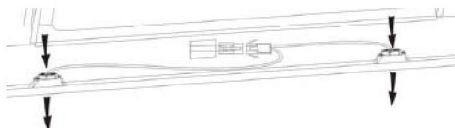
Filtr zbiera tłuszcz, dym i kurz, dzięki czemu filtr bezpośrednio wpływa na sprawność okapu kuchennego. Jeśli nie zostanie oczyszczony, resztki smaru (potencjalnie łatwopalne) nasycą filtr. Filtr należy oczyścić domowym detergentem.

### **III. Coroczne czyszczenie filtra z węglem aktywnym**

Dotyczy WYŁĄCZNIE urządzenia instalowanego jako urządzenie recyrkulacyjne (bez odprowadzenia na zewnątrz). Filtr ten zatrzymuje nieprzyjemne zapachy i należy go wymieniać co najmniej raz w roku, w zależności od częstości używania okapu.

### **IV. Wymiana żarówki w lampce**

Odkręć śruby na szybie, zdejmij szybę okapu kuchennego. Znajdź żarówkę, która wymaga wymiany, znajdziesz ją w oprawie oświetleniowej, która znajduje się wewnątrz odsłoniętej części okapu.



Odłącz punkt okablowania światła i wyjmij oprawki żarówki oraz okablowanie z okapu. Ważne: Nie jest możliwa tylko wymiana samych żarówek, konieczna będzie wymiana żarówek, oprawek do żarówek i okablowania jako całości. (Oświetlenie diodowe: MAKS. 1,5 W)

Wymienne żarówki, oprawki do żarówek i okablowanie należy montować w taki sam sposób jak oryginalne części. Następnie podłącz ponownie punkt okablowania światła.

Ponownie zamontuj szybę okapu i dokręć śruby. Upewnij się, że śruby są w pełni dokręcone.

## **ROZWIĄZYWANIE PROBLEMÓW**

<b>Usterka</b>	<b>Przyczyna</b>	<b>Rozwiązanie</b>
Żarówka włączona, ale wentylator nie działa	Łopatką wentylatora jest zaklinowana.	Wyłącz urządzenie i powierz naprawę wyłącznie wykwalifikowanej osobie.
	Silnik jest uszkodzony.	
Zarówno lampa, jak i wentylator nie działają	Przepalona żarówka halogenowa.	Wymienić żarówkę na odpowiednik.
	Poluzowany przewód zasilający.	Ponownie prawidłowo włożyć do gniazdka.
Silne wibracje urządzenia	Łopatką wentylatora jest uszkodzona.	Wyłączyć urządzenie i powierzyć naprawę wyłącznie wykwalifikowanej osobie.
	Silnik wentylatora nie jest stabilnie przymocowany.	Wyłącz urządzenie i powierz naprawę wyłącznie wykwalifikowanej osobie.
	Urządzenie nie jest prawidłowo podwieszane na wsporniku.	Wymontować urządzenie i sprawdzić czy wspornik znajduje się w prawidłowym położeniu.
Wydajność ssania nie jest wystarczająca	Zbyt duża odległość między urządzeniem i powierzchnią gotowania	Wyregulować odległość na 65-75 cm

Technologia	Wi-Fi
Standard	802.11 b/g/n
Pasma(-a) częstotliwości [MHz]	2400 MHz - 2483.5 MHz
Moc maksymalna [mW]	100 mW

<b>Informacje o produkcie dot. urządzeń sieciowych</b>	
Pobór mocy piekarnika w trybie czuwania w sieci, jeśli wszystkie przewodowe porty sieciowe są podłączone i włączone są wszystkie porty sieci bezprzewodowej:	2 W
Sposób aktywowania portu sieci bezprzewodowej:	Jeśli okap został zarejestrowany w aplikacji, włącz go, aby aktywować port sieci bezprzewodowej.
Sposób dezaktywowania portu sieci bezprzewodowej:	Jeśli okap został zarejestrowany w aplikacji, wyłącz go, aby dezaktywować port sieci bezprzewodowej. Jeśli okap nie został zarejestrowany w aplikacji, port sieci bezprzewodowej zostanie dezaktywowany, nawet jeśli okap jest włączony.

## **SERWIS OBSŁUGI KLIENTA**

Jeśli nie można zidentyfikować przyczyny nieprawidłowości w działaniu, należy wyłączyć urządzenie i skontaktować się z serwisem obsługi.

**NUMER SERYJNY PRODUKTU.** Gdzie go znaleźć?

Ważne jest, abyś poinformował serwis obsługi o swoim kodzie produktu i jego numerze seryjnym (kod 16 znaków, który zaczyna się od cyfry 3); można go znaleźć na certyfikacie gwarancyjnym lub na tabliczce znamionowej umieszczonej na urządzeniu.

Pomoże to uniknąć niepotrzebnego wysłania techników do naprawy, a tym samym (i co najważniejsze) zaoszczędzić opłaty za taką usługę.



To urządzenie jest oznakowane zgodnie z Dyrektywą Europejską 2012/19/UE w sprawie przepisów dotyczących zużytego sprzętu elektrycznego i elektronicznego z 2013 r. dotyczących urządzeń elektrycznych i elektronicznych (WEEE). Zużyty sprzęt elektryczny i elektroniczny zawiera substancje zanieczyszczające (które mogą wywierać negatywny wpływ na środowisko) oraz elementy podstawowe (które nadają się do ponownego wykorzystania).

Ważne jest właściwe przetwarzanie zużytego sprzętu elektrycznego i elektronicznego w celu prawidłowego usunięcia i utylizacji wszystkich substancji zanieczyszczających oraz odzyskania pozostałych materiałów. Każdy może odegrać ważną rolę w zadbaniu o to, by zużyty sprzęt elektryczny i elektroniczny nie zagrażał środowisku. Zasadnicze znaczenie ma przestrzeganie kilku podstawowych zasad:

- Zużytego sprzętu elektrycznego i elektronicznego nie należy traktować jak odpadów z gospodarstwa domowego
- Zużyty sprzęt elektryczny i elektroniczny powinien być odwożony do wyznaczonych punktów zbiórki odpadów zarządzanych przez radę miasta lub zarejestrowaną firmę.

W wielu krajach organizowane są lokalne zbiórki dużego zużytego sprzętu elektrycznego i elektronicznego. Po zakupie nowego urządzenia, stare można oddać dostawcy, który musi je bezpłatnie przyjąć w ramach wymiany, jeśli to urządzenie jest podobnego typu i ma takie same funkcje jak urządzenie zakupione.

## ΕΓΚΑΤΑΣΤΑΣΗ ΚΑΙ ΕΓΧΕΙΡΙΔΙΟ ΧΡΗΣΤΗ

### **ΠΕΡΙΕΧΟΜΕΝΑ**

ΕΙΣΑΓΩΓΗ	191
ΠΡΟΦΥΛΑΞΕΙΣ ΑΣΦΑΛΕΙΑΣ	191
ΗΛΕΚΤΡΙΚΗ ΕΓΚΑΤΑΣΤΑΣΗ	193
ΠΡΟΔΙΑΓΡΑΦΕΣ	194
ΕΓΚΑΤΑΣΤΑΣΗ (ΕΞΩΤΕΡΙΚΟΣ ΑΕΡΙΣΜΟΣ)	195
ΕΓΚΑΤΑΣΤΑΣΗ (ΕΣΩΤΕΡΙΚΟΣ ΑΕΡΙΣΜΟΣ)	204
ΠΕΡΙΓΡΑΦΗ ΕΞΑΡΤΗΜΑΤΩΝ	205
ΛΕΙΤΟΥΡΓΙΑ	205
ΣΥΝΤΗΡΗΣΗ	208
ΑΝΤΙΜΕΤΩΠΙΣΗ ΠΡΟΒΛΗΜΑΤΩΝ	209
ΣΥΜΜΟΡΦΩΣΗ ΜΕ ΤΙΣ ΟΔΗΓΙΕΣ	209
ΠΡΟΣΤΑΣΙΑ ΤΟΥ ΠΕΡΙΒΑΛΛΟΝΤΟΣ	210



## **ΕΙΣΑΓΩΓΗ**

### **Σας ευχαριστούμε που επιλέξατε αυτόν τον απορροφητήρα.**

Αυτό το εγχειρίδιο οδηγιών έχει σχεδιαστεί για να σας παρέχει όλες τις απαιτούμενες οδηγίες σχετικά με την εγκατάσταση, τη χρήση και τη συντήρηση της συσκευής.

Για τη σωστή λειτουργία και την ασφάλεια της μονάδας, διαβάστε προσεκτικά αυτό το εγχειρίδιο οδηγιών πριν από την εγκατάσταση και τη χρήση.

Ο απορροφητήρας χρησιμοποιεί υλικά υψηλής ποιότητας και είναι κατασκευασμένος με βελτιωμένο σχεδιασμό. Εξοπλισμένος με ηλεκτρικό μοτέρ μεγάλης ισχύος και φυγοκεντρικό ανεμιστήρα, παρέχει επίσης ισχυρή ισχύ αναρρόφησης, λειτουργία χαμηλού θορύβου, αντικολλητικό φίλτρο λίπους και εύκολη συναρμολόγηση.

Δια του παρόντος, η Candy Hoover Group Srl δηλώνει ότι ο ραδιοεξοπλισμός συμμορφώνεται με την Οδηγία 2014/53/EE και με τις σχετικές Νομοθετικές Απαιτήσεις (για την αγορά UKCA). Το πλήρες κείμενο της δήλωσης συμμόρφωσης είναι διαθέσιμο στο διαδίκτυο στην ακόλουθη διεύθυνση: [www.candy-group.com](http://www.candy-group.com).

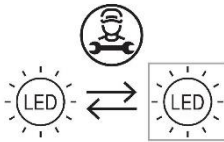
## **ΠΡΟΦΥΛΑΞΕΙΣ ΑΣΦΑΛΕΙΑΣ**

- Μην αφήνετε ποτέ τα παιδιά να χειρίζονται το μηχάνημα.
- Ο απορροφητήρας είναι μόνο για οικιακή χρήση, δεν είναι κατάλληλος για μπάρμπεκιου, ψητοπωλεία και άλλους εμπορικούς σκοπούς.
- Ο απορροφητήρας και το φίλτρο του πρέπει να καθαρίζονται τακτικά για να διατηρούνται σε καλή κατάσταση.
- Καθαρίστε τον απορροφητήρα σύμφωνα με το εγχειρίδιο οδηγιών και προφυλάξτε τη μονάδα από τον κίνδυνο καύσης.
- Απαγορεύεται το άμεσο ψήσιμο από κουζίνα υγραερίου. Φροντίστε για τον καλό αερισμό της κουζίνας.
- Πριν συνδέσετε αυτή τη συσκευή, ελέγξτε ότι το καλώδιο τροφοδοσίας δεν έχει υποστεί ζημιά. Ένα κατεστραμμένο καλώδιο τροφοδοσίας πρέπει να αντικαθίσταται μόνο από εξειδικευμένο προσωπικό σέρβις.
- Θα πρέπει να υπάρχει επαρκής εξαερισμός του χώρου όταν χρησιμοποιείται ο απορροφητήρας ταυτόχρονα με τις συσκευές που καίνε υγραέριο ή άλλα καύσιμα,
- Ο αέρας δεν πρέπει να εκκενώνεται σε μια καπνοδόχο που χρησιμοποιείται για την εξαγωγή καπνών από συσκευές καύσης υγραερίου ή άλλων καυσίμων,
- Οι κανόνες που αφορούν την εκκένωση του αέρα πρέπει να πληρούνται.
- Τα παιδιά πρέπει να εποπτεύονται συνεχώς ώστε να διασφαλιστεί ότι δεν παίζουν με τη συσκευή.
- Μην ανάβετε φωτιά με φλόγες κάτω από τον απορροφητήρα.
- Ο απορροφητήρας δεν προορίζεται για εγκατάσταση πάνω από εστία με περισσότερα από τέσσερα στοιχεία εστίας.

- Θα πρέπει να υπάρχει επαρκής εξαερισμός του δωματίου όταν ο απορροφητήρας χρησιμοποιείται ταυτόχρονα με συσκευές που καίνε υγραέριο ή άλλα καύσιμα (δεν ισχύει για συσκευές που εκκενώνουν μόνο τον αέρα πίσω στο δωμάτιο),
- τις λεπτομέρειες σχετικά με τη μέθοδο και τη συχνότητα καθαρισμού.
- υπάρχει κίνδυνος πυρκαγιάς εάν ο καθαρισμός δεν πραγματοποιείται σύμφωνα με τις οδηγίες,
- μην ανάβετε φωτιά με φλόγες κάτω από τον απορροφητήρα.
- ΠΡΟΣΟΧΗ: Τα προσβάσιμα εξαρτήματα ενδέχεται να ζεσταθούν όταν χρησιμοποιούνται μαζί με συσκευές μαγειρέματος.

### Κίνδυνος ηλεκτροπληξίας

- Συνδέστε αυτή τη μονάδα μόνο σε μια σωστά γειωμένη πρίζα. Εάν έχετε αμφιβολίες, ζητήστε συμβουλές από έναν κατάλληλα καταρτισμένο μηχανικό.
- Η μη τήρηση αυτών των οδηγιών μπορεί να οδηγήσει σε θάνατο, πυρκαγιά ή ηλεκτροπληξία.



Η λάμπα που χρησιμοποιείται σε αυτό το προϊόν δεν είναι κατάλληλη για χρήση για το φωτισμό ενός δωματίου.

Ο σκοπός αυτής της λάμπας είναι να παρέχει φωτισμό για τη χρήση του προϊόντος.

## Ηλεκτρική εγκατάσταση

Όλες οι εργασίες εγκατάστασης πρέπει να εκτελούνται από αρμόδιο άτομο ή εξειδικευμένο ηλεκτρολόγο. Πριν συνδέσετε την παροχή ρεύματος, βεβαιωθείτε ότι η τάση δικτύου αντιστοιχεί στην τάση στην πινακίδα τεχνικών χαρακτηριστικών.

### Απευθείας σύνδεση

Η συσκευή πρέπει να συνδέεται απευθείας με την παροχή ρεύματος, στην οποία πρέπει να εγκατασταθεί ένας παντοπολικός διακόπτης με ελάχιστο διάκενο 3 mm μεταξύ των επαφών.

Ο εγκαταστάτης πρέπει να διασφαλίσει ότι έχει γίνει η σωστή ηλεκτρική σύνδεση και ότι συμμορφώνεται με το διάγραμμα τοποθέτησης των καλωδίων και συνδέσεων.


Το καλώδιο δεν πρέπει να λυγίσει ή να συμπιεστεί.

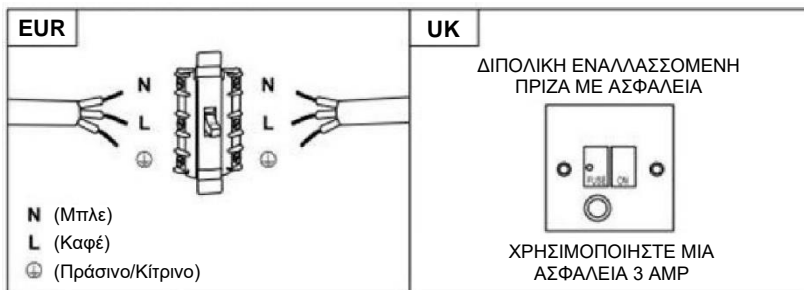
Να ελέγχετε τακτικά το βύσμα τροφοδοσίας και το καλώδιο τροφοδοσίας για ζημιές. Εάν το καλώδιο τροφοδοσίας είναι κατεστραμμένο, πρέπει να αντικατασταθεί από ένα ειδικό καλώδιο ή συγκρότημα που διατίθεται από τον κατασκευαστή ή τον αντιπρόσωπο σέρβις του.

**ΠΡΟΕΙΔΟΠΟΙΗΣΗ:** Αυτή είναι μια συσκευή Κατηγορίας I και ΠΡΕΠΕΙ να είναι γειωμένη. Αυτή η συσκευή παρέχεται με καλώδιο τροφοδοσίας 3 πυρήνων, με το εξής χρώμα:

Καφέ = L ή Φάση με ρεύμα

Μπλε = N ή Ουδέτερο

Πράσινο και Κίτρινο = E ή Γείωση 



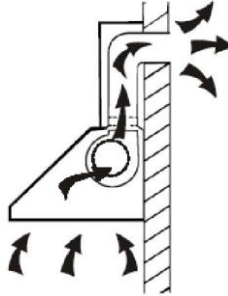
Η ασφάλεια πρέπει να έχει ονομαστική τιμή 3 Amps.

## Λίστα εξαρτημάτων τυπικής εγκατάστασης

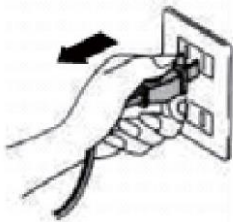
Προδ.	Εικονογραφημένη εικόνα	Ποσότητα
Σώμα ανεμιστήρα		1
Κάτω καμινάδα (500 mm)		1
Άνω καμινάδα (500 mm)		1
Στήριγμα άνω καμινάδας		1
Στήριγμα κάτω καμινάδας		1
Στήριγμα απορροφητήρα κουζίνας		1
φ8 βύσματα rawl φ8xφ6 λευκό χρώμα		9
Βίδα (ST4 * 30 mm)		9
Βίδα (ST4 * 8 mm)		6
Έξοδος αέρα		1
Φίλτρο άνθρακα		2

## **ΕΓΚΑΤΑΣΤΑΣΗ (τοποθέτηση σε τοίχο)**

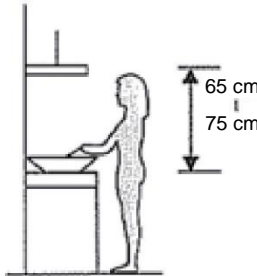
Εάν υπάρχει μια έξοδος προς τα έξω, ο απορροφητήρας σας μπορεί να συνδεθεί όπως φαίνεται στην παρακάτω εικόνα μέσω ενός αγωγού εξαγωγής (από σμάλτο, αλουμίνιο, μη εύφλεκτο εύκαμπτο σωλήνα, με εσωτερική διάμετρο 150 mm)



1. Πριν από την εγκατάσταση, απενεργοποιήστε τη συσκευή και αποσυνδέστε την από την πρίζα.



2. Ο απορροφητήρας πρέπει να τοποθετηθεί σε απόσταση 65~75 cm πάνω από την επιφάνεια μαγειρέματος για καλύτερο αποτέλεσμα.

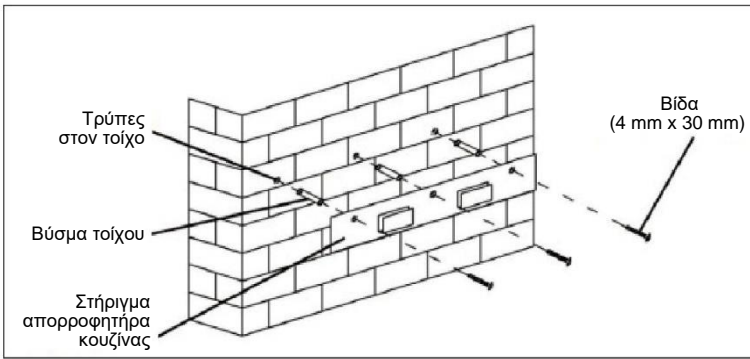


## **ΕΓΚΑΤΑΣΤΑΣΗ ΤΟΥ ΑΠΟΡΡΟΦΗΤΗΡΑ**

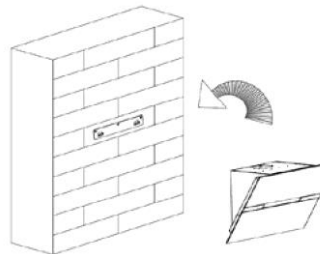
Τοποθετήστε τον απορροφητήρα στο επιθυμητό ύψος τηρώντας το ελάχιστο ύψος πάνω από την εστία.

Σημειώστε τη θέση του στηρίγματος τοίχου (Τοποθετήστε τις οπές μεταξύ 700 και 800 mm πάνω από τον πάγκο εργασίας). Αφαιρέστε τον απορροφητήρα και τοποθετήστε το στήριγμα τοίχου για να σημειώσετε τις θέσεις των οπών στον τοίχο.

Ανοίξτε τις 3 τρύπες στον τοίχο για να τοποθετήσετε το κατάλληλο σύστημα στερέωσης (βίδα ST4 x 30 mm).



Κρεμάστε τον απορροφητήρα στις εγκοπές του στηρίγματος τοίχου.

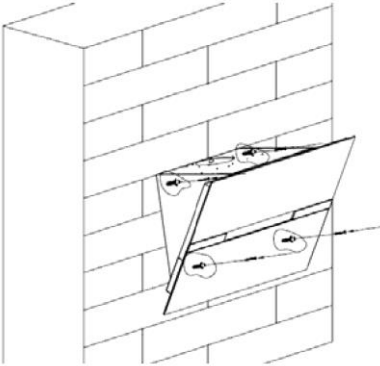


## ΕΓΚΑΤΑΣΤΑΣΗ ΤΟΥ ΑΠΟΡΡΟΦΗΤΗΡΑ

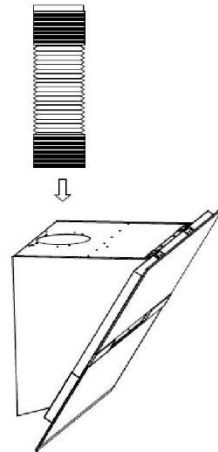
Μόλις τοποθετηθεί ο απορροφητήρας, εντοπίστε τη θέση των 4 πρόσθετων βιδών επιτοίχιας στήριξης όπως φαίνεται στο παρακάτω διάγραμμα.

Αφαιρέστε τον απορροφητήρα για να τρυπήσετε τον τοίχο και τοποθετήστε βύσματα τοίχου.

Στερεώστε το σώμα του απορροφητήρα με 4 βίδες διαμέτρου 4 mm χρησιμοποιώντας πείρους προσαρμοσμένους στον τοίχο σας.



Εάν έχει επιλεγεί η λειτουργία εξαγωγής, τοποθετήστε τον αγωγό εξαγωγής αέρα στην έξοδο αέρα όπως φαίνεται στην εικόνα.



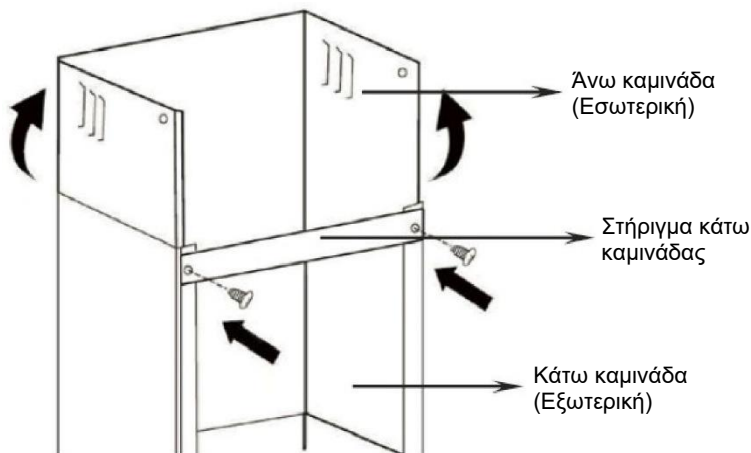
## ΕΓΚΑΤΑΣΤΑΣΗ ΤΟΥ ΑΠΟΡΡΟΦΗΤΗΡΑ

Στερεώστε το στήριγμα της κάτω καμινάδας στην κάτω καμινάδα όπως φαίνεται.

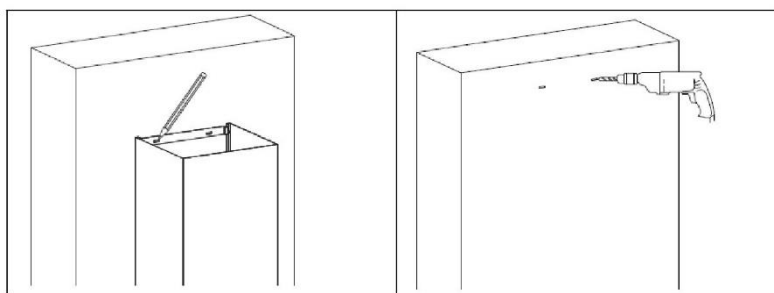
Χρησιμοποιήστε 2 βίδες ST4 x 8 mm.

(Μην σφίγγετε υπερβολικά τις βίδες, βεβαιωθείτε ότι η επάνω καμινάδα μπορεί να γλιστρήσει εύκολα στην κάτω καμινάδα)

Εισαγάγετε την επάνω καμινάδα στην κάτω καμινάδα.



Τοποθετήστε την κάτω καμινάδα στη συσκευή και, στη συνέχεια, μαρκάρετε τις οπές στον τοίχο.



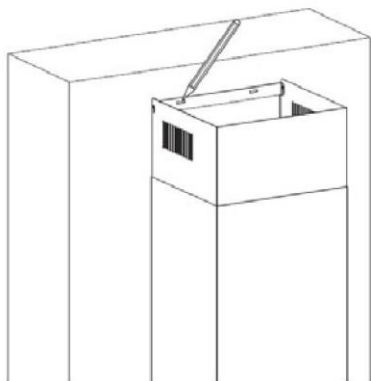
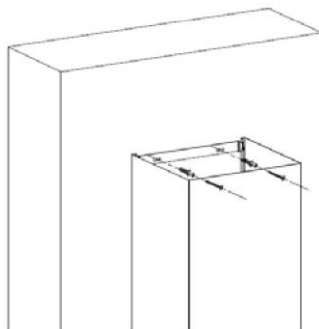
Αφαιρέστε την κάτω καμινάδα και, στη συνέχεια, ανοίξτε τρύπες στον τοίχο: οπή για βίδα διαμέτρου Φ8 mm

Χρησιμοποιήστε τους πείρους προσαρμοσμένους στον τοίχο σας



## ΕΓΚΑΤΑΣΤΑΣΗ ΤΟΥ ΑΠΟΡΡΟΦΗΤΗΡΑ

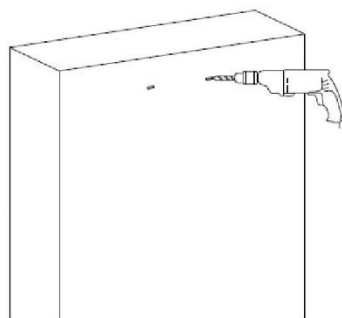
Τοποθετήστε την κάτω καμινάδα και, στη συνέχεια, βιδώστε την στον τοίχο με 2 βίδες διαμέτρου  $\Phi$  8 mm



Στη συνέχεια, τραβήξτε την άνω καμινάδα προς τα πάνω στο επιθυμητό ύψος. Σημειώστε τις θέσεις των οπών στερέωσης του στηρίγματος της άνω καμινάδας.

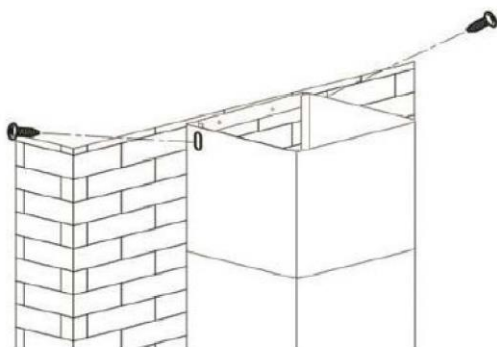
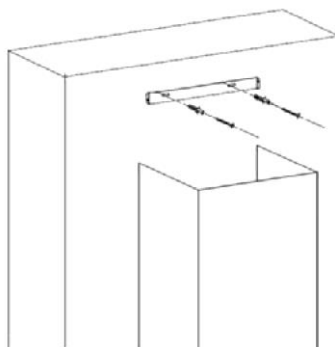
Κατεβάστε την άνω καμινάδα και, στη συνέχεια, ανοίξτε τρύπες στον τοίχο.

Τοποθετήστε τους πείρους προσαρμοσμένους στον τοίχο σας



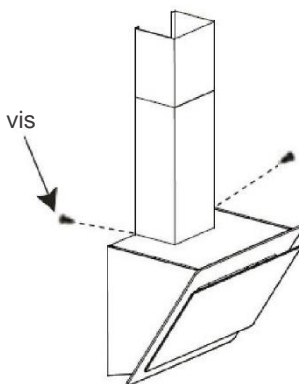
## ΕΓΚΑΤΑΣΤΑΣΗ ΤΟΥ ΑΠΟΡΡΟΦΗΤΗΡΑ

Στερεώστε το στήριγμα τοίχου της άνω καμινάδας στον τοίχο χρησιμοποιώντας τους επιλεγμένους πείρους (συνιστώνται βίδες 8 mm).

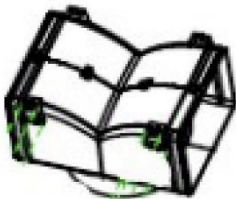






Συναρμολογήστε ξανά την άνω καμινάδα και στερεώστε την στο στήριγμα τοίχου με 2 βίδες ST4 x 8 mm

Στερεώστε την κάτω καμινάδα στις γλωτίδες του απορροφητήρα κουζίνας χρησιμοποιώντας 2 βίδες ST4 x 8 mm.



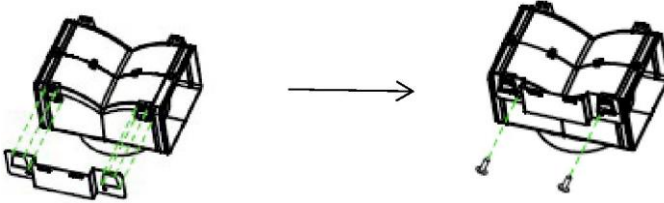
## Λίστα εξαρτημάτων τυπικής εγκατάστασης

Προδ.	Εικονογραφημένη εικόνα	Ποσότητα
Εκτροπέας αέρα		1
Στήριγμα		1
φ8 βύσματα rawl φ8xφ6 λευκό χρώμα		2
Βίδες ST4.0 x 30		2
Βίδες ST3.5 x 12		2

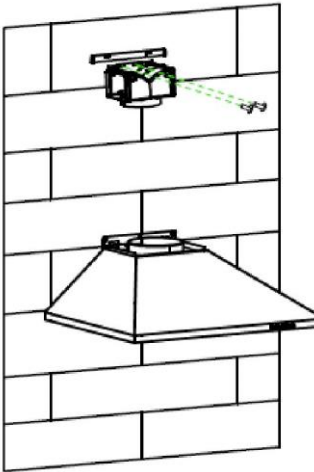
## **ΕΓΚΑΤΑΣΤΑΣΗ (ΕΚΤΡΟΠΕΑΣ ΑΕΡΑ ΓΙΑ ΜΟΝΤΕΛΑ ΣΧΗΜΑΤΟΣ T, ΚΥΡΤΟ ΓΥΑΛΙ, ΕΠΙΠΕΔΟ ΓΥΑΛΙ):**

Ο εκτροπέας αέρα αναφέρεται ως περιλαμβανόμενος και όχι προαιρετικός.

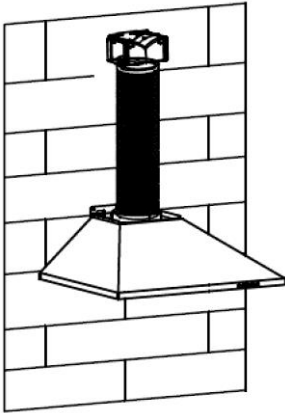
1. Στερεώστε το στήριγμα στην πλαστική έξοδο σχήματος T με 2 βίδες ST3,5 x 12 mm που παρέχονται όπως φαίνεται παρακάτω:



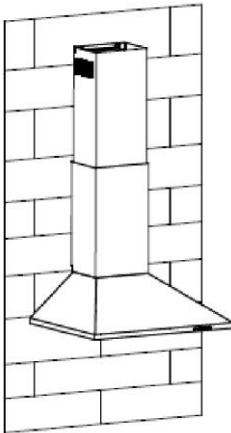
2. Ανοίξτε 2 τρύπες στον τοίχο για να χωρέσετε τα βύσματα τοίχου και, στη συνέχεια, βιδώστε και σφίξτε το στήριγμα στον τοίχο με 2 τμχ βίδες ST4 x 30 mm που παρέχονται.



3. Συνδέστε τον σωλήνα εξαγωγής στην έξοδο αέρα του απορροφητήρα όπως φαίνεται παρακάτω:



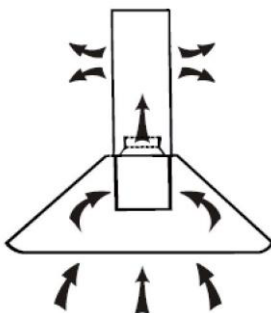
4. Τοποθετήστε την καμινάδα στη μονάδα και στερεώστε την.



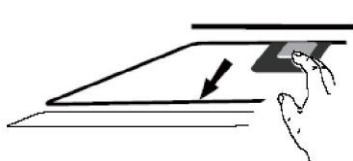
- «Σημειώστε: Η πλαστική έξοδος σε σχήμα T και τα πτερύγια σχήματος V δεν μπορούν να χρησιμοποιηθούν ταυτόχρονα. Μπορείτε να τα χρησιμοποιήσετε με δύο τρόπους: 1) Προσθέστε ένα πτερύγιο σχήματος V στην υπάρχουσα έξοδο ο. 2) Χρησιμοποιήστε την πλαστική έξοδο σε σχήμα T, χωρίς πρόσθετο πτερύγιο V.»
- «Σημείωση: Το προϊόν παρέχεται με αξεσουάρ πτερύγια σχήματος V. Αυτό το αξεσουάρ δεν είναι υποχρεωτικό για την εγκατάσταση, τη λειτουργία και τη χρήση του προϊόντος.»

## ΕΓΚΑΤΑΣΤΑΣΗ (ΕΞΩΤΕΡΙΚΟΣ ΑΕΡΙΣΜΟΣ)

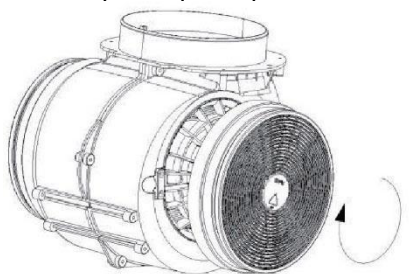
Εάν δεν υπάρχει έξοδος προς τα έξω, δεν απαιτείται σωλήνας εξαγωγής και η εγκατάσταση είναι παρόμοια με αυτή που εμφανίζεται στην ενότητα «ΕΓΚΑΤΑΣΤΑΣΗ (ΕΞΩΤΕΡΙΚΟΣ ΑΕΡΙΣΜΟΣ)».



Το φίλτρο ενεργού άνθρακα μπορεί να χρησιμοποιηθεί για την παγίδευση οσμών. Για να εγκαταστήσετε το φίλτρο ενεργού άνθρακα, πρέπει πρώτα να αφαιρέσετε το φίλτρο λίπους. Πιέστε την ασφάλεια και τραβήξτε την προς τα κάτω.



Συνδέστε το φίλτρο ενεργού άνθρακα στη μονάδα και γυρίστε το δεξιόστροφα. Επαναλάβετε το ίδιο και από την άλλη πλευρά.



ΚΛΕΙΣΤΟ

### **ΣΗΜΕΙΩΣΗ:**

- Βεβαιωθείτε ότι το φίλτρο είναι καλά ασφαλισμένο. Διαφορετικά, θα χαλαρώσει και θα προκαλέσει επικίνδυνες καταστάσεις.
- Όταν τοποθετηθεί φίλτρο ενεργού άνθρακα, η ισχύς αναρρόφησης θα μειωθεί

## ΠΕΡΙΓΡΑΦΗ ΕΞΑΡΤΗΜΑΤΩΝ

### ΔΙΑΜΟΡΦΩΣΗ 1

1

2

3

B

B<sup>+</sup>

### ΛΕΙΤΟΥΡΓΙΑ

1

#### **Κουμπί χαμηλής ταχύτητας**

Χρησιμοποιείται για τον εξαερισμό της κουζίνας. Είναι κατάλληλο για βράσιμο και μαγείρεμα που δεν παράγουν πολύ ατμό.

2

#### **Κουμπί μεσαίας ταχύτητας**

Η ταχύτητα ροής αέρα είναι ιδανική για εξαερισμό σε τυπική λειτουργία μαγειρέματος.

3

#### **Κουμπί υψηλής ταχύτητας**

Όταν παράγεται υψηλής πυκνότητας καπνός ή ατμός, πατήστε το κουμπί υψηλής ταχύτητας για πιο υψηλό αποτελεσματικό εξαερισμό.

B

#### **Ενίσχυση 1 (ταχύτητα 4)**

Πατήστε το κουμπί 1 ταχύτητας b, ο οπίσθιος φωτισμός του κουμπιού ταχύτητας B είναι αναμμένος και ο απορροφητήρας λειτουργεί σε λειτουργία ενίσχυσης.

B<sup>+</sup>

#### **Ενίσχυση 2 (ταχύτητα 5)**

Πατήστε το κουμπί 2 ταχύτητας b, ο οπίσθιος φωτισμός του κουμπιού ταχύτητας B<sup>+</sup> είναι ενεργοποιημένος και ο απορροφητήρας λειτουργεί σε λειτουργία ενίσχυσης.



#### **Φωτισμός**

**Σύντομο πάτημα για ενεργοποίηση και απενεργοποίηση του φωτισμού**

**Γρήγορο χρονόμετρο:** Πατήστε παρατεταμένα το κουμπί του φωτισμού για 3 δευτερόλεπτα, τα κουμπιά ταχύτητας του ανεμιστήρα θα αναβοσβήνουν και θα μετρήσουν αντίστροφα για διάστημα 5 λεπτών, μετά από 5 λεπτά το μοτέρ και ο φωτισμός θα σβήσουν αυτόματα με τρεις ήχους του βομβητή.



#### **Σύνδεση Wi-Fi**

Πατήστε παρατεταμένα το εικονίδιο WiFi και εισέλθετε σε λειτουργία σύνδεσης: ο οπίσθιος φωτισμός του εικονιδίου WiFi συνεχίζει να αναβοσβήνει υποδεικνύοντας ότι η σύνδεση είναι υπό διαδικασία σύνδεσης, ο οπίσθιος φωτισμός του εικονιδίου WiFi είναι αναμμένος υποδεικνύοντας ότι είναι συνδεδεμένο, το ίδιο και για την κατάσταση αναμονής. Πατήστε ξανά παρατεταμένα το εικονίδιο WiFi και η σύνδεση θα διακοπεί.

## ΔΙΑΜΟΡΦΩΣΗ 2

1

2

3

B



### ΚΑΤΑΣΤΑΣΗ ΑΝΑΜΟΝΗΣ.

Μετά τη σύνδεση με την παροχή ρεύματος, όλος ο φωτισμός και το σύστημα μεταβαίνουν σε **ΛΕΙΤΟΥΡΓΙΑ ΑΝΑΜΟΝΗΣ**.

1

#### Κουμπί χαμηλής ταχύτητας

Χρησιμοποιείται για τον εξαερισμό της κουζίνας. Είναι κατάλληλο για βράσιμο και μαγείρεμα που δεν παράγουν πολύ ατμό.

2

#### Κουμπί μεσαίας ταχύτητας

Η ταχύτητα ροής αέρα είναι ιδανική για εξαερισμό σε τυπική λειτουργία μαγειρέματος.

3

#### Κουμπί υψηλής ταχύτητας

Όταν παράγεται υψηλής πυκνότητας καπνός ή ατμός, πατήστε το κουμπί υψηλής ταχύτητας για πιο υψηλό αποτελεσματικό εξαερισμό.

B

#### Λειτουργία ενίσχυσης

Αυτός ο απορροφητήρας διαθέτει λειτουργία ενίσχυσης. Για να ενεργοποιήσετε τη λειτουργία ενίσχυσης, πιέστε το B για την ταχύτητα 4, ενεργοποιείται η υψηλότερη ταχύτητα ενώ χρησιμοποιείται ο απορροφητήρας και θα αυξηθεί η ταχύτητα για 5 λεπτά, πριν μειωθεί ξανά.



#### Φωτισμός

#### Σύντομο πάτημα για ενεργοποίηση και απενεργοποίηση του φωτισμού

**Γρήγορο χρονόμετρο:** Πατήστε παρατεταμένα το κουμπί του φωτισμού για 3 δευτερόλεπτα, τα κουμπιά ταχύτητας του ανεμιστήρα θα αναβοσβήνουν και θα μετρήσουν αντίστροφα για διάστημα 5 λεπτών, μετά από 5 λεπτά το μοτέρ και ο φωτισμός θα σβήσουν αυτόματα με τρεις ήχους του βομβητή.



#### Σύνδεση Wi-Fi

Πατήστε παρατεταμένα το εικονίδιο WiFi και εισέλθετε σε λειτουργία σύνδεσης: ο οπίσθιος φωτισμός του εικονιδίου WiFi συνεχίζει να αναβοσβήνει υποδεικνύοντας ότι η σύνδεση είναι υπό διαδικασία σύνδεσης, ο οπίσθιος φωτισμός του εικονιδίου WiFi είναι αναμμένος υποδεικνύοντας ότι είναι συνδεδεμένο, το ίδιο και για την κατάσταση αναμονής. Πατήστε ξανά παρατεταμένα το εικονίδιο WiFi και η σύνδεση θα διακοπεί.



## Λήψη της εφαρμογής hOn



Πρώτα απ' όλα, θα πρέπει να κατεβάσετε την εφαρμογή hOn και να την εγκαταστήσετε στη φορητή συσκευή σας. Στη συνέχεια, καταχωρήστε τον απορροφητήρα σας.



### ΣΗΜΕΙΩΣΗ

Get ready to add your appliance

- 1 Stay close to your appliance
- 2 While in front of your appliance, ensure that your smartphone is connected to a 2.4GHz Wi-Fi network with a stronger signal  
[CHANGE WI-FI SETTINGS](#)
- 3 Public networks are not allowed due to low security and reliability.
- 4 Prepare to enter your Home Wi-Fi password.

### ΚΑΤΑΧΩΡΗΣΗ ΤΟΥ ΑΠΟΡΡΟΦΗΤΗΡΑ ΗΑΙΕΡ



*Η εικόνα του απορροφητήρα έχει σαν σκοπό μόνο να τον απεικονίσει. Μπορεί να μην είναι απόλυτα αντιπροσωπευτική.*

1- Πατήστε το κουμπί WiFi μέχρι να αρχίσει να αναβοσβήνει το εικονίδιο - όταν ολοκληρωθεί η σύζευξη, το εικονίδιο WiFi θα είναι πλέον ενεργοποιημένο.

## **ΣΥΝΤΗΡΗΣΗ**

Πριν από τον καθαρισμό, απενεργοποιήστε τη μονάδα και βγάλτε την πρίζα.

### **I. Τακτικός καθαρισμός**

Χρησιμοποιήστε ένα μαλακό πανί εμποτισμένο με ζεστό νερό με σαπούνι ή απορροπταντικό οικιακού καθαρισμού. Μην χρησιμοποιείτε ποτέ μεταλλικά σφουγγαράκια, χημικά, λειαντικά υλικά ή σκληρή βούρτσα για να καθαρίσετε τη μονάδα.

### **II. Μηνιαίος καθαρισμός του φίλτρου λίπους**

*ΣΗΜΑΝΤΙΚΟ: Ο καθαρισμός του φίλτρου σε μηνιαία βάση μπορεί να αποτρέψει κάθε κίνδυνο πυρκαγιάς.*

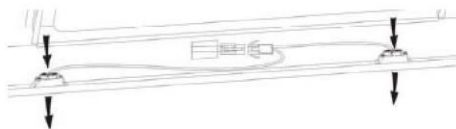
Το φίλτρο συλλέγει λίπος, καπνό και σκόνη, για τον λόγο αυτό το φίλτρο επηρεάζει άμεσα την απόδοση του απορροφητήρα. Εάν δεν καθαριστεί, τα υπολείμματα λίπους (δυσνητικά εύφλεκτα) θα κορεστούν στο φίλτρο. Καθαρίστε το με οικιακό απορροπταντικό καθαρισμού.

### **III. Ετήσιος καθαρισμός για το φίλτρο ενεργού άνθρακα**

Εφαρμόστε ΜΟΝΟ σε μονάδα που έχει εγκατασταθεί ως μονάδα ανακυκλοφορίας (δεν εξαερίζεται προς τα έξω). Αυτό το φίλτρο παγιδεύει τις οσμές και πρέπει να αντικαθίσταται τουλάχιστον μία φορά το χρόνο ανάλογα με τη συχνότητα χρήσης του απορροφητήρα.

### **IV. Αλλαγή του λαμπτήρα**

Αφαιρέστε τις βίδες στο γυαλί, αφαιρέστε το γυαλί του απορροφητήρα. Βρείτε τον λαμπτήρα που χρειάζεται αντικατάσταση, θα τον βρείτε στο φωτιστικό που βρίσκεται μέσα στο εκτεθειμένο τμήμα του θόλου.



Αποσυνδέστε το σημείο καλωδίωσης του φωτός και αφαιρέστε τις βάσεις του λαμπτήρα και την καλωδίωση από τον απορροφητήρα. Σημαντικό: Δεν είναι δυνατή η μεμονωμένη αντικατάσταση των λαμπτήρων, θα χρειαστεί να προμηθευτείτε τους λαμπτήρες, τις βάσεις των λαμπτήρων και την καλωδίωση ως πλήρες εξάρτημα. (Φωτισμός LED: ΜΕΓ. 1,5W)

Τοποθετήστε τους ανταλλακτικούς λαμπτήρες, τις βάσεις των λαμπτήρων και την καλωδίωση με τους ίδιους τρόπους με τους πρωτότυπους. Στη συνέχεια, επανασυνδέστε το σημείο καλωδίωσης του φωτός.

Τοποθετήστε ξανά το γυαλί του απορροφητήρα και στερεώστε τις βίδες του γυαλιού. Βεβαιωθείτε ότι οι βίδες είναι πλήρως σφικμένες.

## **ΑΝΤΙΜΕΤΩΠΙΣΗ ΠΡΟΒΛΗΜΑΤΩΝ**

<b>Σφάλμα</b>	<b>Αιτία</b>	<b>Λύση</b>
Αναμμένο φως, αλλά ο ανεμιστήρας δεν λειτουργεί	Η λεπίδα του ανεμιστήρα είναι μπλοκαρισμένη.	Απενεργοποιήστε τη μονάδα και προχωρήστε σε επίσκευή μόνο από εξειδικευμένο προσωπικό σέρβις.
	Το μοτέρ είναι κατεστραμμένο.	
Ο φωτισμός και ο ανεμιστήρας δεν λειτουργούν	Καμένος λαμπτήρας αλογόνου.	Αντικαταστήστε τον λαμπτήρα με τον κατάλληλο λαμπτήρα.
	Το καλώδιο ρεύματος έχει χαλαρώσει.	Συνδέστε ξανά στην τροφοδοσία ρεύματος.
Σοβαρή δόνηση της μονάδας	Η λεπίδα του ανεμιστήρα είναι κατεστραμμένη.	Απενεργοποιήστε τη μονάδα και προχωρήστε σε επίσκευή μόνο από εξειδικευμένο προσωπικό σέρβις.
	Το μοτέρ του ανεμιστήρα δεν είναι σφικτά στερεωμένο.	Απενεργοποιήστε τη μονάδα και προχωρήστε σε επίσκευή μόνο από εξειδικευμένο προσωπικό σέρβις.
	Η μονάδα δεν είναι αναρτημένη σωστά στο στήριγμα.	Κατεβάστε τη μονάδα και ελέγξτε εάν το στήριγμα βρίσκεται στη σωστή θέση.
Η απόδοση αναρρόφησης δεν είναι καλή	Πολύ μεγάλη απόσταση μεταξύ της μονάδας και του επιπέδου μαγειρέματος	Προσαρμόστε ξανά την απόσταση στα 65-75 cm

Τεχνολογία	Wi-Fi
Βασικό	802,11 b/g/n
Ζώνη (-ες) συχνοτήτων [MHz]	2400 MHz - 2483.5 MHz
Μέγιστη ισχύς [mW]	100 mW

## **ΥΠΗΡΕΣΙΑ ΥΠΟΣΤΗΡΙΞΗΣ ΠΕΛΑΤΩΝ**

Εάν δεν μπορείτε να προσδιορίσετε την αιτία της ανωμαλίας λειτουργίας, απενεργοποιήστε τη συσκευή και επικοινωνήστε με την υπηρεσία υποστήριξης.

**ΣΕΙΡΙΑΚΟΣ ΑΡΙΘΜΟΣ ΠΡΟΪΟΝΤΟΣ.** Που μπορώ να τον βρω;  
Είναι σημαντικό να ενημερώσετε την Υπηρεσία Υποστήριξης για τον κωδικό του προϊόντος σας και τον σειριακό του αριθμό (ένας κωδικός 16 χαρακτήρων που αρχίζει με τον αριθμό 3). Αυτός μπορεί να βρεθεί στο πιστοποιητικό εγγύησης ή στην πινακίδα χαρακτηριστικών που βρίσκεται στη συσκευή.  
Αυτό θα βοηθήσει στην αποφυγή χαμένων διαδρομών των τεχνικών, εξοικονομώντας έτσι (και το πιο σημαντικό) τις αντίστοιχες χρεώσεις κλήσης.

Αυτή η συσκευή φέρει σήμανση σύμφωνα με την ευρωπαϊκή οδηγία 2012/19/ΕΕ σχετικά με τα απόβλητα ηλεκτρικού και ηλεκτρονικού εξοπλισμού (WEEE).



Η Οδηγία περί Απορριμμάτων Ηλεκτρικών και Ηλεκτρονικών Συσκευών (WEEE) περιλαμβάνει ρυπογόνες ουσίες (που μπορούν να έχουν αρνητικές συνέπειες για το περιβάλλον) και βασικά εξαρτήματα (για επαναχρησιμοποίηση).

Είναι σημαντικό, σύμφωνα με την WEEE, να υπάρχουν ειδικές μέθοδοι επεξεργασίας, για την αφαίρεση και κατάλληλη επεξεργασία όλων των ρύπων, και ανάκτηση των ανακυκλώσιμων υλικών.

Τα φυσικά πρόσωπα μπορούν να παίξουν σημαντικό ρόλο και να εξασφαλίσουν ότι τα απορρίμματα ηλεκτρικών και ηλεκτρονικών συσκευών δεν προκαλεί περιβαλλοντικά θέματα. Γι' αυτό, είναι απαραίτητο να ακολουθήσουν ορισμένους βασικούς κανόνες:

Τα (αναφερόμενα στη λίστα) WEEE δεν πρέπει να αντιμετωπίζονται ως οικιακά απορρίμματα.

Τα (αναφερόμενα στη λίστα) WEEE πρέπει να παραδοθούν στα σχετικά σημεία συλλογής που διαχειρίζεται ο δήμος ή οι ειδικά εξουσιοδοτημένες σχετικά εταιρείες. Σε πολλές χώρες, πιθανόν να υπάρχουν ειδικές υπηρεσίες αποκομιδής απορριμμάτων ηλεκτρικών και ηλεκτρονικών συσκευών.

Σε πολλές χώρες, όταν αγοράζετε μια νέα συσκευή, η παλαιά μπορεί να επιστραφεί στον έμπορο λιανικής ο οποίος πρέπει να την παραλάβει δωρεάν με βάση την αρχή "ένα προς ένα", αρκεί ο εξοπλισμός να είναι ισοδύναμου τύπου και να έχει την ίδια λειτουργία με τον παρεχόμενο εξοπλισμό.

# KURULUM VE KULLANIM KILAVUZU

## **İÇİNDEKİLER**

GİRİŞ	212
GÜVENLİK ÖNLEMİ	212
ELEKTRİK TESİSATI	214
TEKNİK ÖZELLİKLER	215
KURULUM (DIŞ HAVALANDIRMA)	216
KURULUM (İÇ HAVALANDIRMA)	225
PARÇALARIN TANITIMI	226
ÇALIŞTIRMA	226
BAKIM	229
SORUN GİDERME	230
YÖNERGELERE UYUM	231
ÇEVREYİ KORUMA	231

## **GİRİŞ**

### **Bu davlumbazı seçtiğiniz için teşekkür ederiz.**

Bu kullanım kılavuzu, size cihazın kurulumu, kullanımı ve bakımı ile ilgili tüm gerekli talimatları sağlamak için tasarlanmıştır.

Üniteyi doğru ve güvenli bir şekilde çalıştırmak için lütfen kurulum ve kullanımdan önce bu kullanım kılavuzunu dikkatlice okuyun.

Davlumbaz yüksek kaliteli malzemelerden üretilmiştir ve modern bir tasarıma sahiptir. Büyük güçlü elektrik motoru ve santrifüj fan ile donatılmış olmanın yanı sıra, güçlü emiş gücü, düşük ses ile çalışma, yapışmaz yağ filtresi ve kolay montaj olanağı sunar.

Candy Hoover Group Srl, işbu belgeyle, radyo ekipmanının 2014/53/EU Yönergesi ve ilgili Yasal Gereklilikler (UKCA pazarı için) ile uyumlu olduğunu beyan eder. Uygunluk beyanının tam metnine aşağıdaki internet adresinden ulaşılabilir: [www.candy-group.com](http://www.candy-group.com)

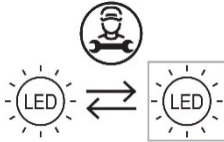
## **GÜVENLİK ÖNLEMİ**

- Çocukların makineyi kullanmasına kesinlikle izin vermeyin.
- Davlumbaz sadece evde kullanım içindir, mangal ve et restoranları ve diğer ticari amaçlar için uygun değildir.
- Davlumbaz ve filtresi, iyi çalışır durumda kalması için düzenli olarak temizlenmelidir.
- Davlumbazı kullanım kılavuzuna göre temizleyin ve cihazı yanma tehlikesine karşı koruyun.
- Gazlı ocakta fırın işlerinin yapılmasını önleyin. Lütfen mutfağın ısı yayılımının iyi olmasını sağlayın.
- Bu cihazı bağlamadan önce güç kaynağı kablosunun hasarlı olup olmadığını kontrol edin. Hasarlı bir besleme kablosu yalnızca kalifiye servis personeli tarafından değiştirilmelidir.
- Davlumbaz, gaz veya diğer yakıtları kullanan cihazlarla aynı anda kullanıldığında, odadaki havalandırma yeterli olmalıdır;
- Hava, gaz ya da başka yakıtlar kullanan cihazlardan çıkan dumanı boşaltmak için kullanılan bir baca borusuna tahliye edilmemelidir.
- Hava tahliyesine ilişkin düzenlemelere uyulmalıdır.

- Çocuklar, cihazla oynamadıklarından emin olmak için gözetim altında tutulmalıdır.
- Davlumbazın altında yemekleri alevlendirerek pişirmeyin.
- Davlumbaz, dörtten fazla ocak elemanı bulunan bir ocak üzerine kurulmak üzere tasarlanmamıştır
- Davlumbaz, gaz veya diğer yakıtları yakan cihazlarla aynı anda kullanıldığında, odadaki havalandırma yeterli olmalıdır (sadece havayı odaya geri veren cihazlar için geçerli değildir);
- temizleme yöntemi ve sıklığı ile ilgili ayrıntılar.
- talimatlara uygun temizlik yapılmazsa yangın riski mevcuttur;
- davlumbazın altında aleve neden olmayın;
- **DİKKAT:** Erişilebilir parçalar, pişirme cihazlarıyla birlikte kullanıldıklarında ısınabilir.

### Elektrik Çarpması Tehlikesi

- Bu üniteyi yalnızca uygun şekilde topraklanmış bir prize takın. Şüpheniz varsa, uygun vasıflara sahip bir mühendisten tavsiye alın.
- Bu talimatlara uyulmaması ölüme, yangına veya elektrik çarpmasına neden olabilir.



Bu üründe kullanılan lamba bir odanın aydınlatılmasında kullanıma uygun değildir.

Bu lambanın amacı, ürünün kullanımı için aydınlatma sağlamaktır.

## Elektrik Tesisatı

Tüm kurulum, yetkili bir kişi veya kalifiye bir elektrikçi tarafından yapılmalıdır. Şebeke beslemesini bağlamadan önce, şebeke geriliminin anma değeri plakasındaki gerilimle aynı olduğundan emin olun.

### Doğrudan Bağlantı

Cihaz, kontaklar arasında minimum 3 mm açıklığa sahip çok kutuplu bir devre kesici kullanılarak doğrudan şebekeye bağlanmalıdır.

Montajı yapan kişi, doğru elektrik bağlantısının yapıldığından ve bağlantı şemasına uygun olduğundan emin olmalıdır.

Kablo bükülmemeli veya sıkıştırılmamalıdır.

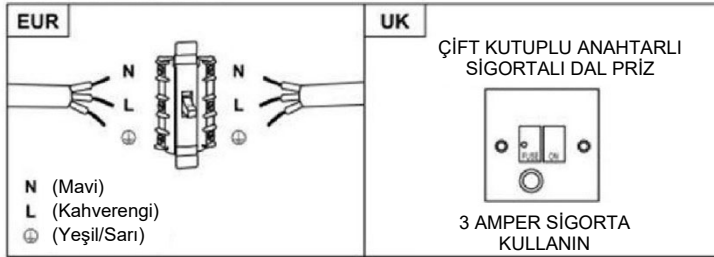
Elektrik fişini ve elektrik kablosunu hasara karşı düzenli olarak kontrol edin. Besleme kablosu hasarlıysa, üretici veya servis acentesinden temin edilebilen özel bir kablo veya tertibat ile değiştirilmelidir.

**UYARI:** Bu bir Sınıf I tipi cihazdır ve TOPRAKLANMALIDIR, bu cihaz aşağıdaki renklere sahip 3 damarlı bir şebeke kablosu ile birlikte verilmektedir:

Kahverengi = L veya Yüklü

Mavi = N veya Nötr

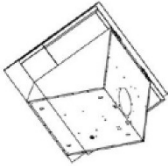






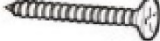



Yeşil ve Sarı = E veya Topraklama (⏚)



Sigorta 3 Amper değerinde olmalıdır.

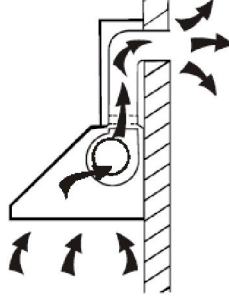


## Standart Kurulum Aksesuarları Listesi

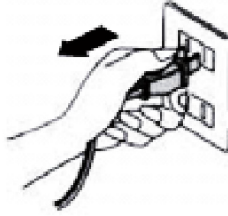
Teknik Özellik	İllüstrasyon Resim	Adet
Davlumbaz gövdesi		1
Alt baca (500mm)		1
Üst baca (500mm)		1
Üst baca braketi		1
Alt baca braketi		1
Davlumbaz braketi		1
Ø8 dübel Ø8× Ø6 beyaz renk		9
Vida (ST4 * 30 mm)		9
Vida (ST4 * 8 mm)		6
Hava çıkışı		1
Karbon filtre		2

## **KURULUM (duvara montaj)**

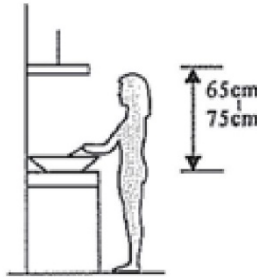
Dışarıya bir çıkışınız varsa davlumbazınız bir çekme hava kanalı (iç çapı 150 mm olan emaye, alüminyum, alev almaz esnek boru) vasıtasıyla aşağıdaki resimdeki gibi bağlanabilir



1. Kurulmadan önce üniteyi kapatın ve fişini prizden çekin.



2. Davlumbaz, en iyi etki için pişirme düzleminin 65~75 cm yukarısına yerleştirilmelidir.

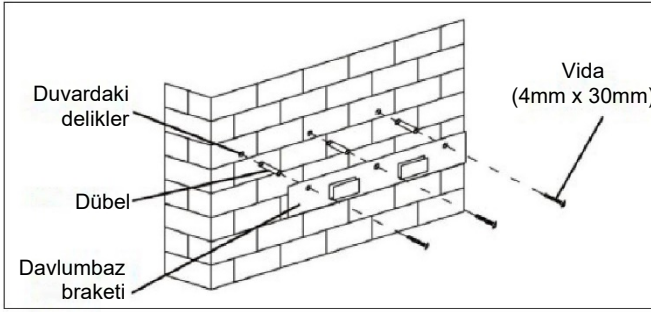


## **DAVLUMBAZIN TAKILMASI**

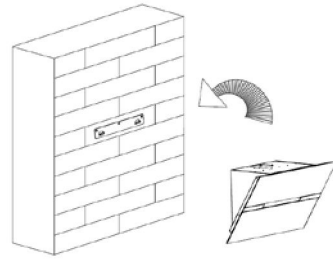
Davlumbazı, ocağın üzerinde minimum yüksekliği gözeterek istediğiniz yükseklikte konumlandırın.

Duvar braketinin yerini işaretleyin. (Delikleri tezgahın 700 ve 800 mm yukarısına yerleştirin) Davlumbazı çıkarın ve duvardaki deliklerin yerlerini işaretlemek için duvar braketini yerleştirin.

Uygun sabitleme sistemini yerleştirmek için duvara 3 delik açın (vida ST4x30mm).



Davlumbazı duvar braketinin çentiklerine asın.

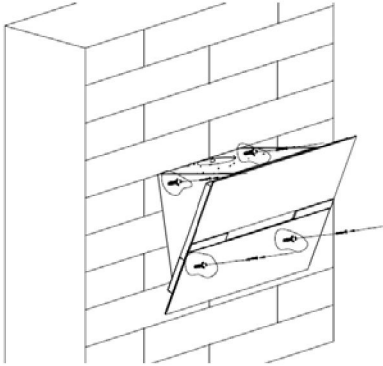


## **DAVLUMBAZIN TAKILMASI**

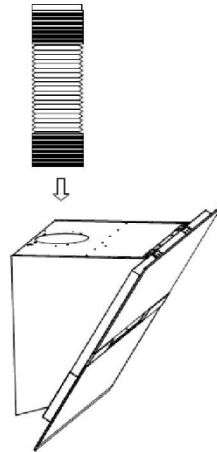
Davlumbaz yerine oturduğunda, aşağıdaki şemada gösterildiği gibi 4 ilave duvara montaj vidasının yerini belirleyin.

Duvarı delmek için davlumbazı çıkarın ve dübelleri takın.

Davlumbaz gövdesini duvarınıza uygun dübellere kullanarak 4 mm çapında 4 adet vida ile sabitleyin.



Tahliye modu seçilirse, tahliye hava kanalını gösterildiği gibi hava çıkışına yerleştirin.



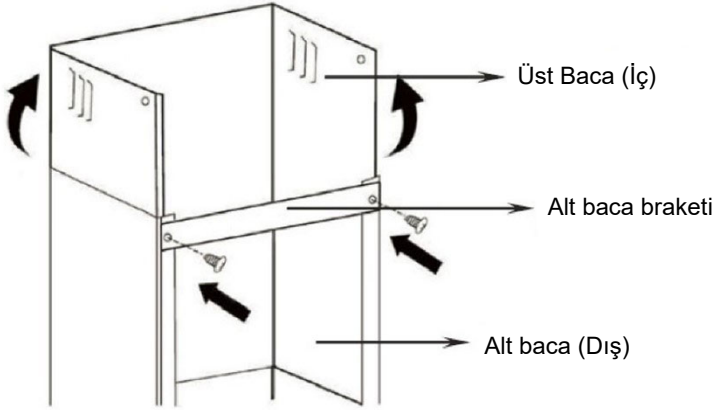
## **DAVLUMBAZIN TAKILMASI**

Alt baca desteğini gösterildiği gibi alt bacaya takın.

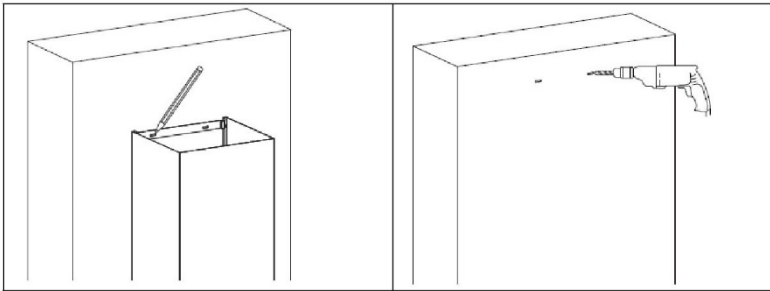
2 vida ST4x8mm kullanın.

(Vidaları fazla sıkmayın, üst bacanın alt bacanın içerisine kolayca kayabileceğinden emin olun)

Üst bacayı alt bacaya yerleştirin.



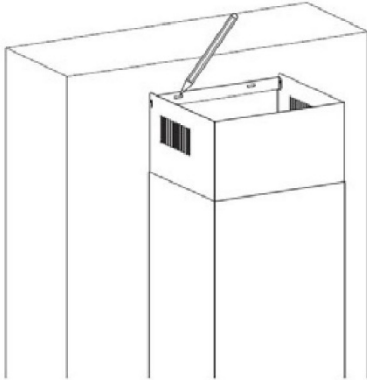
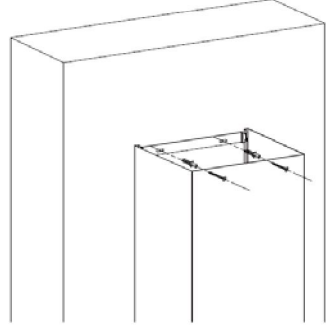
Alt bacayı cihaza yerleştirin, sonra duvardaki delikleri işaretleyin.



Alt bacayı çıkarın, ardından duvara delikler açın: Ø8 mm vida çapı için delik  
Duvarınıza uygun dübelleri kullanın

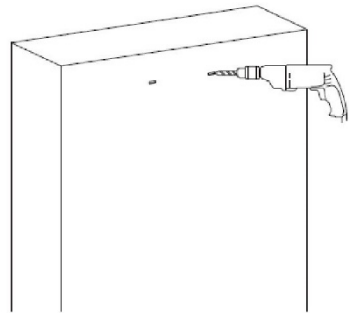
## DAVLUMBAZIN TAKILMASI

Alt bacayı monte edin, ardından Ø8 mm çapında 2 vida ile duvara vidalayın.



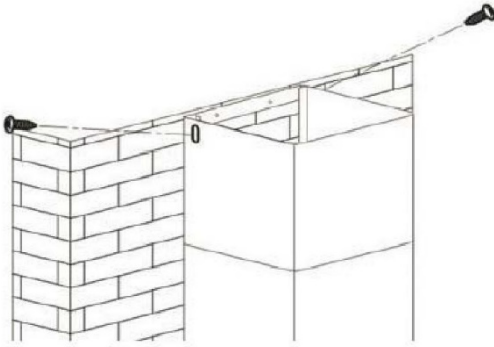
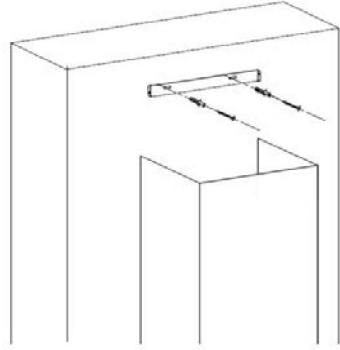
Ardından üst bacayı yukarıya doğru istediğiniz yüksekliğe çekin. Üst baca desteğinin montaj deliklerinin yerlerini işaretleyin.

Üst bacayı indirin ve sonra duvara delikler açın.  
Duvarınıza uygun dübelleri yerleştirin



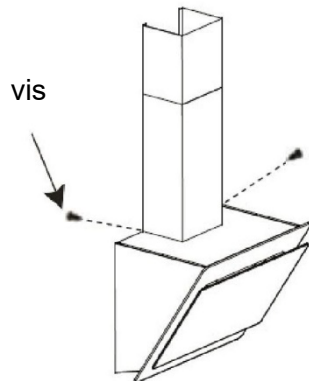
## **DAVLUMBAZIN TAKILMASI**

Üst baca duvar braketini seçilen dübellere (8 mm vida önerilir) duvara sabitleyin.








Üst bacayı tekrar monte edin ve 2 adet ST4x8mm vida ile duvar braketine sabitleyin.

Alt bacayı davlumbaz pabuçlarına 2 adet ST4x8mm vida ile sabitleyiniz.



## Standart Kurulum Aksesuarları Listesi

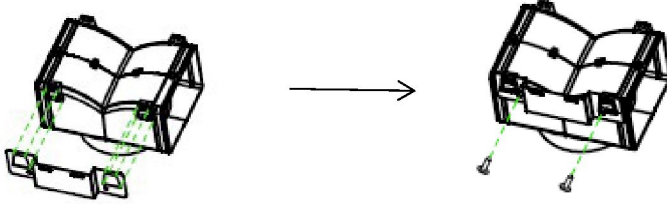
Teknik Özellik	İllüstrasyon Resim	Adet
Hava Deflektörü		1
Braket		1
$\varphi 8$ dübel $\varphi 8 \times \varphi 6$ beyaz renk		2
Vida ST4.0×30		2
Vida ST3.5×12		2



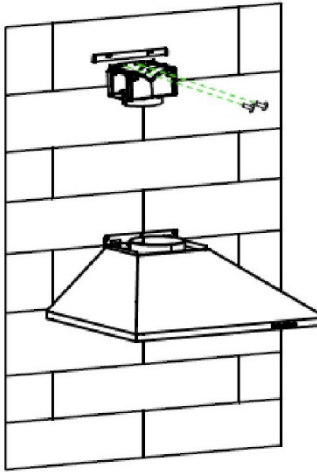
## MONTAJ (T-SHAP, KAVİSLİ CAM, DÜZ CAM MODELLERİ İÇİN HAVA DEFLEKTÖRÜ):

Hava deflektörü isteğe bağlı değil, birlikte verilen olarak belirtilmiştir.

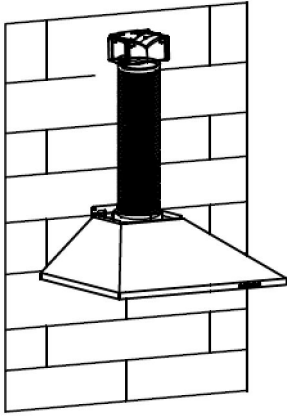
1. Braketi, aşağıda gösterildiği gibi sağlanan 2 adet ST3,5x12mm vida ile T şeklindeki plastik çıkışa sabitleyin.



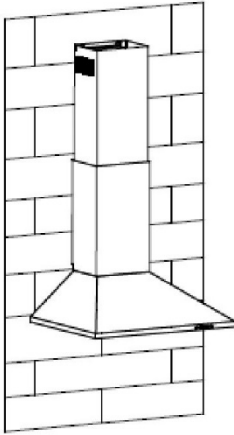
2. Dübelleri yerleştirmek için duvara 2 delik açın, sonra braketi verilen 2 adet ST4x30mm vidayla duvara vidalayın ve sıkın.



3. Tahliye borusunu ařađıda gsterildiđi gibi davlumbazın hava ıkıřına takın:



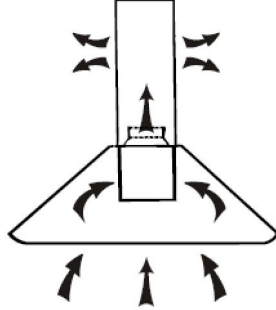
4. Bacayı niteye takın ve sabitleyin.



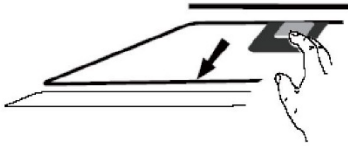
- “Ltfen dikkat: T Őeklindeki plastik ıkıř ve v kanatıklar aynı anda kullanılamaz Bunları iki Őekilde kullanabilirsiniz:  
1) Mevcut ıkıřa v-kanatıđı ekleyin;  
2) T Őeklinde plastik ıkıř kullanın, v-kanatıđı eklemeyin.”
- “Not: rn v-kanatık aksesuarı ile birlikte verilmektedir. Bu aksesuar rnn kurulumu, alıřtırılması ve kullanımı iin zorunlu deđildir.”

## **KURULUM (İÇ HAVALANDIRMA)**

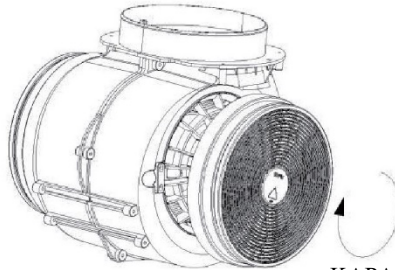
Dışarı bir çıkışınız yoksa, tahliye borusu gerekli değildir ve kurulum "KURULUM (DIŞ HAVALANDIRMA)" bölümünde gösterilene benzer.



Kokuları hapsedmek için aktif karbon filtre kullanılabilir.  
Aktif karbon filtreyi takmak için önce yağ filtresinin sökülmesi gerekir.  
Kilidi bastırın ve aşağı doğru çekin.



Aktif karbon filtreyi üniteye takın ve saat yönünde çevirin. Diğer tarafta da aynısını tekrarlayın.



KAPATIN

### **NOT:**

- *Filtrenin güvenli bir şekilde kilitlendiğinden emin olun. Aksi takdirde gevşer ve tehlikeli hale gelir.*
- *Aktif karbon filtre takıldığında emiş gücü düşecektir*

## PARÇALARIN TANITIMI

### KONFIGÜRASYON 1

1

2

3

B

B<sup>+</sup>



## ÇALIŞTIRMA

**1 Düşük Hız düğmesi**  
Mutfakta Havalandırma için kullanılır. Fazla buhar yapmayan haşlama ve pişirme işlemleri için uygundur.

**2 Orta Hız düğmesi**  
Hava akış hızı, standart pişirme işleminde havalandırma için idealdir.

**3 Yüksek Hız düğmesi**  
Yüksek yoğunlukta duman veya buhar oluştuğunda, yüksek etkili havalandırma için yüksek hız düğmesine basın.

**B Boost 1(hız 4)**  
Hız b düğmesine 1 basın, hız B düğmesinin arkadan aydınlatması açık ve davlumbaz boost modunda çalışıyor;

**B<sup>+</sup> Boost 2(hız 5)**  
Hız b düğmesine 2 basın, hız B <sup>+</sup> düğmesinin arkadan aydınlatması açık ve davlumbaz boost modunda çalışıyor;

**Işık**  
Aydınlatmayı açıp kapatmak için kısa süreyle basın

**Hızlı zamanlayıcı:** Işık düğmesini 3 saniye basılı tutun, fan hızı düğmeleri yanıp sönecek ve 5 dakikaya geri sayım yapacaktır, 5 dakika sonra motor ve ışık üç uyarı sesiyle otomatik olarak kapatılacaktır.



## **Wi-Fi Bağlantısı**

WiFi simgesine uzun basın ve bağlantı moduna girer: WiFi simgesinin arka ışığı bağlantı kurulmaya çalışıldığını göstermek için sürekli yanıp söner, bağlantı kurulduğunu göstermek için WiFi simgesinin arka ışığı sürekli yanmaya başlar, aynısı bekleme modu için de geçerlidir, WiFi simgesine tekrar uzun basın, bağlantı durdurulacaktır.

## KONFIGÜRASYON 2

1

2

3

B



### BEKLEME MODU.

Fişi taktıktan sonra, tüm aydınlatma, sistem **BEKLEME MODUNDA**.

1

#### Düşük Hız düğmesi

Mutfakta Havalandırma için kullanılır. Fazla buhar yapmayan haşlama ve pişirme işlemleri için uygundur.

2

#### Orta Hız düğmesi

Hava akış hızı, standart pişirme işleminde havalandırma için idealdir.

3

#### Yüksek Hız düğmesi

Yüksek yoğunlukta duman veya buhar oluştuğunda, yüksek etkili havalandırma için yüksek hız düğmesine basın.

B

#### Güçlü Çalışma İşlevi

Bu davlumbazda bir güçlü çalışma işlevi bulunmaktadır. Güçlendiriciyi etkinleştirmek için, davlumbaz kullanımdayken hız 4'e ulaşmak için **B** düğmesine basın; davlumbaz tekrar yavaşlamadan önce 5 dakika boyunca hızı arttıracaktır.



#### Işık

**Aydınlatmayı açıp kapatmak için kısa süreyle basın**

**Hızlı zamanlayıcı:** Işık düğmesini 3 saniye basılı tutun, fan hızı düğmeleri yanıp sönecek ve 5 dakikaya geri sayım yapacaktır, 5 dakika sonra motor ve ışık üç uyarı sesiyle otomatik olarak kapatılacaktır.



#### Wi-Fi Bağlantısı

WiFi simgesine uzun basın ve bağlantı moduna girer: WiFi simgesinin arka ışığı bağlantı kurulmaya çalışıldığını göstermek için sürekli yanıp söner, bağlantı kurulduğunu göstermek için WiFi simgesinin arka ışığı sürekli yanmaya başlar, aynıısı bekleme modu için de geçerlidir, WiFi simgesine tekrar uzun basın, bağlantı durdurulacaktır.



## hOn uygulamasını indir

Öncelikle, hOn APP'i indirip taşınabilir cihazınıza kurmalısınız. Ardından davlumbazınızı kaydedin.



NOT

**Get ready to add your appliance**

- 1 Stay close to your appliance
- 2 While in front of your appliance, ensure that your smartphone is connected to a 2.4GHz Wi-Fi network with a stronger signal  
[CHANGE WI-FI SETTINGS](#)
- 3 Public networks are not allowed due to low security and reliability.
- 4 Prepare to enter your Home Wi-Fi password.

## HAIER DAVLUMBAZI KAYDEDİN



*Davlumbaz resmi yalnızca tanıtım amacıyla verilmiştir. tam olarak ürünü temsil etmeyebilir.*

1 - Simge yanıp sönmeye başlayana kadar WiFi düğmesine basın  
Eşleştirme tamamlandığında WiFi simgesi açık olacaktır.

## **BAKIM**

Temizlemeden önce cihazı kapatın ve fişini çekin.

### **I. Düzenli Temizlik**

Elinizin dayanabileceği sıcaklıkta, ılık hafif sabunlu su veya ev temizlik deterjanı ile nemlendirilmiş yumuşak bir bez kullanın. Üniteyi temizlemek için asla metal tel sünger, kimyasal, aşındırıcı malzeme veya sert fırçalar kullanmayın.

### **II. Aylık Yağ Filtresi Temizliği**

*GEREKLİ: Filtreyi her ay temizlemek yangın riskini önleyebilir.*

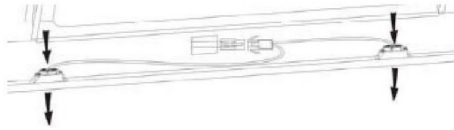
Filtre yağ, duman ve tozu toplar ..... bu nedenle filtre, davlumbazın verimini doğrudan etkiler. Temizlenmediği takdirde, yağ kalıntısı (potansiyel yanıcı) filtrenin üzerini dolduracaktır. Bu parçayı ev temizlik deterjanı ile temizleyin.

### **III. Aktif Karbon Filtre için Yıllık Temizlik**

YALNIZCA resirkülasyon ünitesi olarak kurulan üniteye uygulayın (açık havaya tahliye olmadığında). Bu filtre kokuları hapseder ve yılda en az bir kez davlumbazın ne sıklıkta kullanıldığına bağlı olarak değiştirilmelidir.

### **IV. Ampul değiştirme**

Camdaki vidaları sökün, davlumbaz camını çıkarın. Değiştirilmesi gereken ampulü bulun, bu ampul, cam bölmesinin açıkta kalan kısmındaki aydınlatma armatüründe bulunur.



Işık kablolama noktasını ayırın, ampul duylarını ve kabloları davlumbazdan çıkarın. Önemli: Ampulleri tek tek değiştirmek mümkün değildir, ampulleri, duyları ve kabloları komple bir parça olarak temin etmek gerekecektir. (LED ışığı: MAKS 1.5W)

Yedek ampulleri, ampul duylarını ve kabloları orijinalleri ile aynı şekilde takın. Ardından ışık kablolama noktasını yeniden bağlayın.

Davlumbaz camını tekrar takın ve cam vidalarını sıkın.  
Vidaların tam sıkıldığından emin olun.

## **SORUN GİDERME**

<b>Arıza</b>	<b>Neden</b>	<b>Çözüm</b>
Işık açık, ancak fan çalışmıyor	Fan kanadı sıkışmıştır.	Üniteyi kapatın ve yalnızca yetkili servis personeli tarafından onarılmasını sağlayın.
	Motor hasarlıdır.	
Hem ışık hem de fan çalışmıyor	Halojen ampulü yanmıştır.	Ampulü doğru derecelendirmede ampulle değiştirin.
	Güç kablosu gevşektir.	Güç kaynağına tekrar takın.
Yüksek Düzeyde Ünite Titreşimi	Fan kanadı hasarlıdır.	Üniteyi kapatın ve yalnızca yetkili servis personeli tarafından onarılmasını sağlayın.
	Fan motoru sıkıca sabitlenmemiştir.	Üniteyi kapatın ve yalnızca yetkili servis personeli tarafından onarılmasını sağlayın.
	Ünite brakete düzgün şekilde asılmamıştır.	Üniteyi indirin ve braketin doğru yerde olup olmadığını kontrol edin.
Emiş performansı iyi değil	Ünite ve pişirme düzlemi arasındaki mesafe çok fazladır	Mesafeyi 65-75cm olarak yeniden ayarlayın

Teknoloji	Wi-Fi
Standart	802.11 b/g/n
Frekans Bantları [MHz]	2400 MHz - 2483,5 MHz
Maksimum Güç [mW]	100 mW

<b>Ağ bağlantılı donanım için ürün bilgileri</b>	
Tüm kablolu ağ bağlantı noktaları bağlı ve tüm kablosuz ağ bağlantı noktaları etkin ise, ağ bağlantılı beklemedeki ürünün güç tüketimi:	2 W
Kablosuz ağ bağlantı noktası nasıl etkinleştirilir:	Davlumbaz, APP'e kayıtlıysa, kablosuz ağ bağlantı noktasını etkinleştirmek için Davlumbaz'ı açın.
Kablosuz ağ bağlantı noktası nasıl devre dışı bırakılır:	Davlumbaz, APP'e kayıtlıysa, kablosuz ağ bağlantı noktasını devre dışı bırakmak için Davlumbaz'ı kapatın. Davlumbaz, APP'e kayıtlı değilse, Davlumbaz açık olsa bile kablosuz ağ bağlantı noktası devre dışı bırakılır.



## **MÜŞTERİ DESTEK HİZMETİ**

Çalışma anormallığının nedenini belirleyemiyorsanız, cihazı kapatın ve Destek Hizmeti ile iletişime geçin.

ÜRÜN SERİ NUMARASI. Bunu nereden bulabilirim?

Ürün kodunuz ve seri numarası (3 ile başlayan 16 karakterlik bir kod) ile Yardım Servisine bilgi vermeniz önemlidir; bu bilgiler, garanti belgesinde veya cihazın üzerindeki ürün bilgi etiketinde bulunmaktadır.

Bu, teknisyenlerin boşu boşuna gidip gelmesinin önlenmesine yardımcı olacak ve böylece (ve en önemlisi) ilgili servis çağırma ücretlerinden tasarruf etmenizi sağlayacaktır.

Bu cihaz, Elektrikli ve Elektronik Atık Ekipman (WEEE) ile ilgili 2012/19/AB sayılı Avrupa direktifine göre işaretlenmiştir.



WEEE hem kirletici maddeleri ( çevre için olumsuz sonuçlara neden olabilen) hem de temel bileşenleri (yeniden kullanılabilen) içerir. Tüm kirleticileri uygun şekilde uzaklaştırmak ve bertaraf etmek, tüm malzemeleri geri kazanmak ve geri dönüştürmek için WEEE'nin belirli işlemlere tabi tutulması önemlidir. Bireyler, WEEE'nin bir çevre sorunu haline gelmemesini sağlamada önemli bir rol oynayabilir; birkaç temel kurala uyulması önemlidir:

WEEE evsel atık olarak muamele görmemelidir;

WEEE, belediye veya tescilli şirketler tarafından yönetilen ilgili toplama noktalarına teslim edilmelidir. Birçok ülkede, büyük WEEE'ler için evden alma hizmeti mevcut olabilir.

Birçok ülkede, yeni bir cihaz satın aldığınızda, eski cihaz, ekipmanın eşdeğer tipte olması ve sağlanan ekipmanla aynı işleve sahip olması koşuluyla, bire bir esasında ücretsiz olarak bu cihazı alması gereken satıcıya iade edilebilir.

# MANUAL DE INSTALARE ȘI UTILIZARE

## **CUPRINS**

INTRODUCERE	233
MĂSURI DE SIGURANȚĂ	233
INSTALAȚIA ELECTRICĂ	235
SPECIFICAȚIE	236
INSTALARE (VENTILAȚIE ÎN EXTERIOR)	237
INSTALARE (VENTILAȚIE ÎN INTERIOR)	246
DESCRIEREA COMPONENTELOR	247
FUNȚIONARE	247
ÎNTREȚINEREA	250
DEPANARE	251
CONFORMITATE CU DIRECTIVELE	252
PROTECȚIA AMBIENTALĂ	252

## **INTRODUCERE**

### **Vă mulțumim că ați ales această hotă.**

Acest manual de instrucțiuni este conceput pentru a vă oferi toate instrucțiunile necesare legate de instalarea, utilizarea și întreținerea aparatului. Pentru a utiliza unitatea corect și în siguranță, vă rugăm să citiți cu atenție acest manual de instrucțiuni înainte de instalare și utilizare. Hota folosește materiale de înaltă calitate și este realizată cu un design optimizat. Echipată cu motor electric de mare putere și ventilator centrifugal, aceasta oferă, de asemenea, putere de aspirație puternică, funcționare cu zgomot redus, filtru de grăsime antiaderent și instalare ușoară.

Prin prezenta, Candy Hoover Group Srl declară că echipamentul radio este în conformitate cu Directiva 2014/53/UE și cu cerințele statutare relevante (pentru piața UKCA).

Textul integral al declarației de conformitate este disponibil la următoarea adresă de internet: [www.candy-group.com](http://www.candy-group.com)

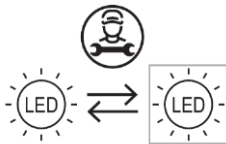
## **MĂSURI DE SIGURANȚĂ**

- Nu lăsați niciodată copiii să opereze aparatul.
- Hota este strict pentru uz casnic, nu este potrivită pentru grătar, restaurant grill și alte scopuri comerciale.
- Hota și filtrul acesteia trebuie curățate în mod regulat pentru a se menține în stare bună de funcționare.
- Curățați hota conform manualului de instrucțiuni și evitați pericolul de ardere a unității.
- Interziceți coacerea directă din aragazul cu gaz. Păstrați o convecție bună în bucătărie.
- Înainte de a conecta acest aparat, verificați dacă cablul de alimentare nu este deteriorat. Un cablu de alimentare deteriorat trebuie înlocuit numai de personal de service calificat.
- Trebuie să existe aerisirea adecvată a camerei atunci când se utilizează hota pentru aragaz în același timp cu aparatele care ard gaz sau alți combustibili;
- Aerul nu trebuie eliberat spre coșul utilizat pentru evacuarea gazelor provenite de la aparate care funcționează cu gaz sau alți combustibili;
- Regulamentele privind eliminarea aerului trebuie satisfăcute.

- Copiii trebuie supravegheați pentru a vă asigura că nu se joacă cu aparatul.
- Nu flambați sub hotă.
- Hota nu este destinată să fie instalată peste o plită cu mai mult de patru ochiuri
- Trebuie să existe o ventilație adecvată a încăperii atunci când hota este utilizată în același timp cu aparatele care ard gaz sau alți combustibili (nu se aplică aparatelor care doar evacuează aerul înapoi în cameră);
- detaliile referitoare la metoda și frecvența de curățare.
- Există riscul de incendiu dacă curățarea nu este efectuată în conformitate cu instrucțiunile;
- nu flambați sub hotă;
- **ATENȚIE:** Piesele accesibile se pot încălzi în timpul utilizării cu aparatele pentru gătit.

### **Pericol de electrocutare**

- Conectați această unitate numai la o priză împământată corespunzător. Dacă aveți îndoieli, solicitați sfatul unui inginer calificat corespunzător.
- Nerespectarea acestor instrucțiuni poate duce la deces, incendiu sau electrocutare.



Becul folosit în acest produs nu este potrivit pentru iluminarea unei încăperi.

Scopul acestui bec este de a oferi iluminare pentru utilizarea produsului.

Toate lucrările de instalare trebuie efectuate de o persoană competentă sau un electrician calificat. Înainte de a conecta rețeaua de alimentare, asigurați-vă că tensiunea rețelei corespunde tensiunii de pe plăcuța de identificare.

### Conexiune directă

Aparatul trebuie conectat direct la rețea folosind un disjunctor omnipolar cu o deschidere minimă de 3 mm între contacte.

Instalatorul trebuie să se asigure că s-a efectuat conexiunea electrică corectă și că este conformă cu regulamentele de siguranță.


Cablul nu trebuie îndoit sau comprimat.

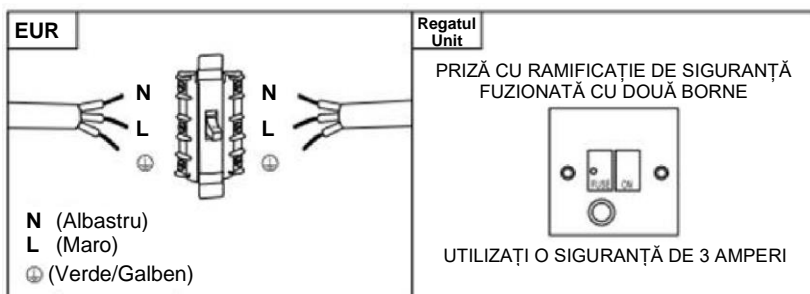
Verificați în mod regulat ștecărul și cablul de alimentare pentru a nu se deteriora. Dacă cablul de alimentare este deteriorat, acesta trebuie înlocuit cu un cablu sau un ansamblu special disponibil de la producător sau de la agentul său de service.

**AVERTIZARE:** Acesta este un aparat de Clasa I și **TREBUIE** să fie împământat. Acest aparat este furnizat cu un cablu de rețea cu 3 fire colorate după cum urmează:

Maro = L sau Fază

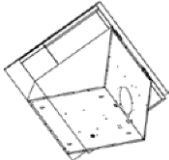










Albastru = N sau Neutru

Verde și galben = E sau Împământare 



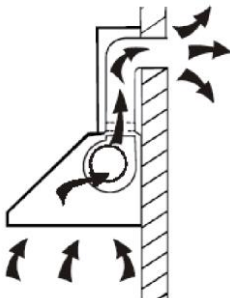
Siguranța trebuie să fie de 3 amperi.

## Lista de accesorii standard de instalare

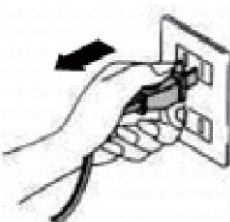
Spec.	Imagine ilustrativă	Cant.
Corpul hotei		1
Coșul inferior (500mm)		1
Coșul superior (500mm)		1
Suport pentru coșul superior		1
Suport pentru coșul inferior		1
Suport hotă		1
dibluri de $\varnothing 8$ dibluri de $\varnothing 8 \times \varnothing 6$ de culoare albă		9
Șurub (ST4 * 30 mm)		9
Șurub (ST4 * 8 mm)		6
Evacuare aer		1
Filtru din carbon		2

## **INSTALARE (Montare pe perete)**

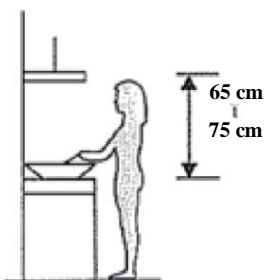
Daca aveți o priză în exterior, hota dvs. poate fi conectată ca în imaginea de mai jos prin intermediul unei conducte de extracție (email, aluminiu, țeavă flexibilă ignifugă cu un diametru interior de 150 mm)



1. Înainte de instalare, opriți unitatea și deconectați-o de la priză.



2. Hota ar trebui să fie plasată la o distanță de 65 ~ 75 cm deasupra suprafeței de gătit pentru un efect optim.

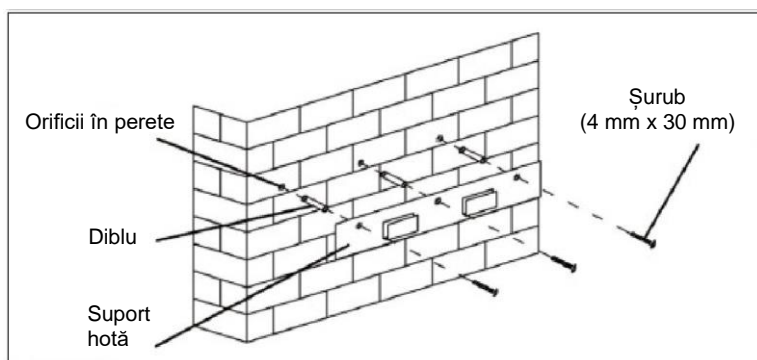


## **INSTALAREA HOTEI**

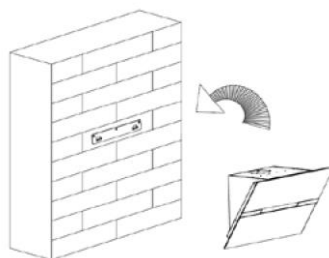
Poziționați hota la înălțimea dorită respectând înălțimea minimă deasupra plitei.

Marcați locația suportului de perete. (Poziționați găurile între 700 și 800 mm deasupra blatului). Scoateți hota și poziționați suportul de perete pentru a marca locațiile orificiilor în perete.

Faceți cele 3 orificii în perete pentru a introduce sistemul de prindere corespunzător (șurub ST4x30mm).



Agățați hota în canelurile suportului de perete.



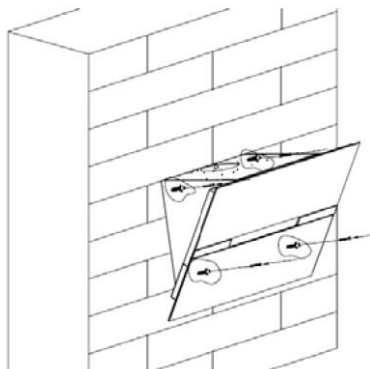


## **INSTALAREA HOTEI**

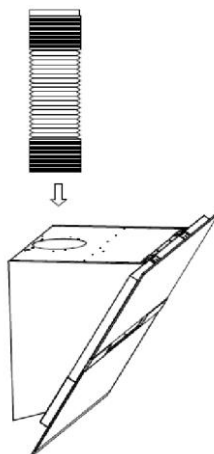
Odată ce hota este fixată pe poziție, localizați locația celor 4 șuruburi suplimentare de montare pe perete, așa cum se arată în diagrama următoare.

Scoateți hota pentru a perfora peretele și montați diblurile.

Fixați corpul hotei cu 4 șuruburi cu diametrul de 4 mm folosind dibluri adaptate peretelui dumneavoastră.



Dacă este selectat modul de extracție, așezați conducta de evacuare a aerului pe orificiul de evacuare a aerului, așa cum se ilustrează.



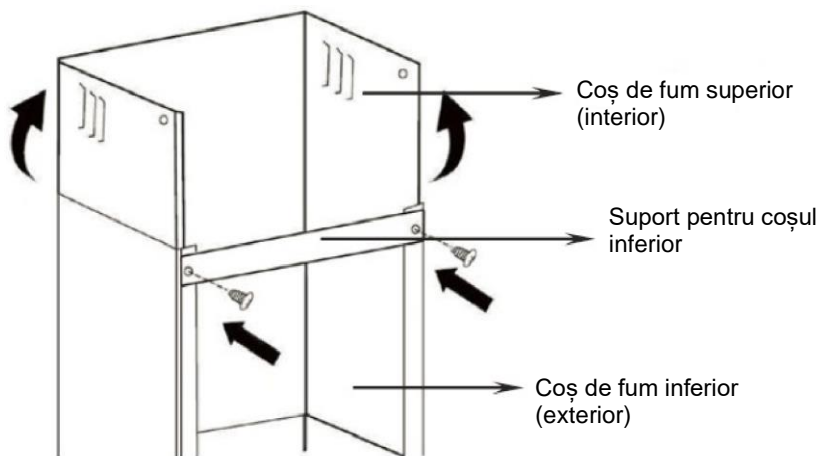
## **INSTALAREA HOTELI**

Atașați suportul inferior pentru coșul de fum la coșul inferior așa cum se ilustrează.

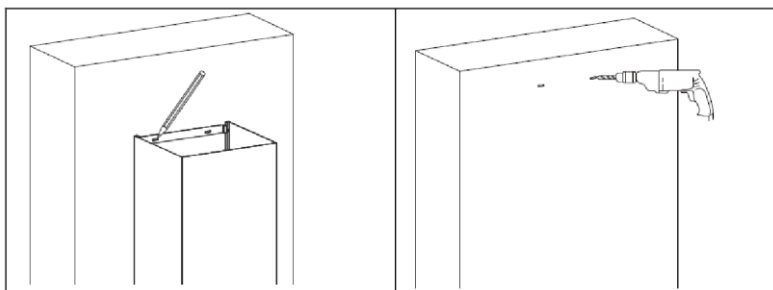
Folosiți 2 șuruburi ST4x8 mm.

(Nu strângeți prea mult șuruburile, asigurați-vă că coșul superior poate glisa cu ușurință în coșul inferior)

Introduceți coșul superior în coșul inferior.



Poziționați coșul inferior în aparat, apoi marcați orificiile pe perete.

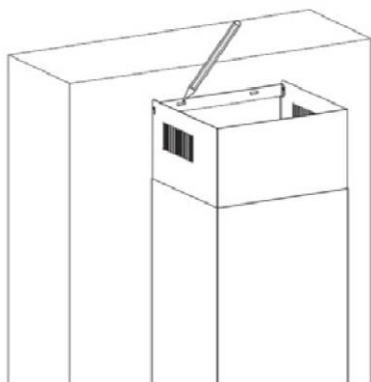
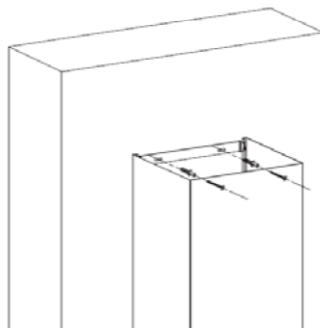


Scoateți coșul inferior, apoi perforați orificiile în perete: orificiu pentru șurub cu diametru de  $\Phi 8$  mm

Utilizați diblurile adaptate peretelui dvs.

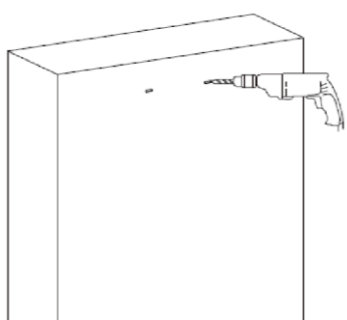
## INSTALAREA HOTEI

Montați coșul inferior, apoi înșurubați-l pe perete cu 2 șuruburi cu diametrul de  $\Phi 8$  mm



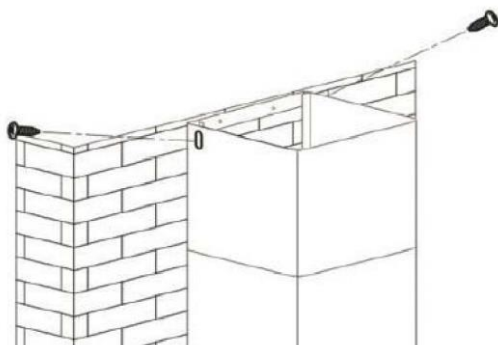
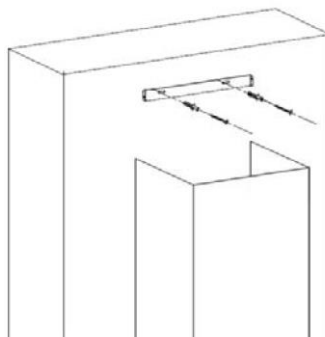
Apoi, trageți coșul superior în sus până la înălțimea dorită. Marcați locațiile orificiilor de montare ale suportului superior pentru coș.

Coborâți coșul superior și apoi perforați orificiile în perete.  
Introduceți diblurile adaptate peretelui dvs.



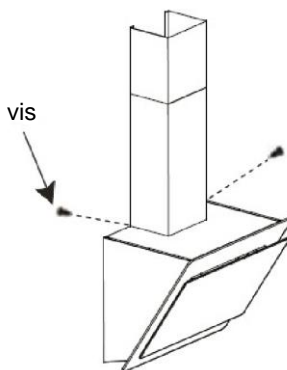
## **INSTALAREA HOTEI**

Fixați suportul de perete al coșului superior de perete folosind diblurile selectate (se recomandă șuruburi de 8 mm).

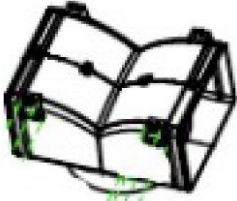






Reasamblați coșul superior și fixați-l pe suportul de perete cu 2 șuruburi ST4x8 mm

Fixați coșul inferior de urechile hotei de bucătărie folosind 2 șuruburi ST4x8mm.



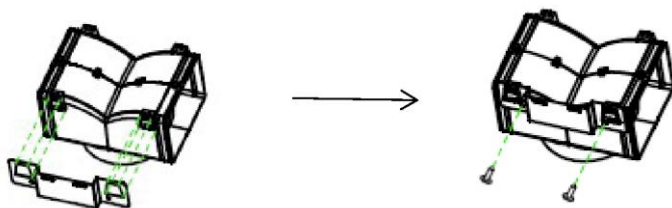
## Lista de accesorii standard de instalare

Spec.	Imagine ilustrativă	Cant.
Deflector de aer		1
Suport		1
Dibluri de $\phi 8$ Dibluri de $\phi 8 \times \phi 6$ de culoare albă		2
Șuruburi ST4.0×30		2
Șuruburi ST3.5×12		2

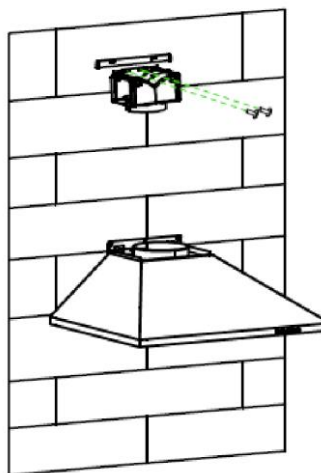
## **INSTALARE (DEFLECTOR DE AER PENTRU MODELE ÎN FORMĂ DE T, STICLĂ CURBA, STICLĂ PLATĂ):**

Deflectorul de aer este menționat ca fiind inclus și nu este opțional.

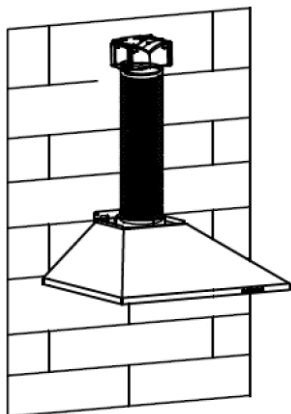
1. Fixați suportul la ieșirea din plastic în formă de T cu șuruburi 2 șuruburi ST3.5x12 mm furnizate după cum se ilustrează mai jos:



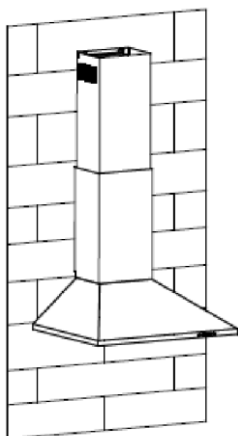
2. Faceți 2 orificii pe perete pentru a fixa diblurile, apoi înșurubați și strângeți suportul pe perete cu 2 șuruburi ST4x30 mm furnizate.



3. Atașați țeava de evacuare pe orificiul de evacuare a aerului de la hotă, așa cum se arată mai jos:



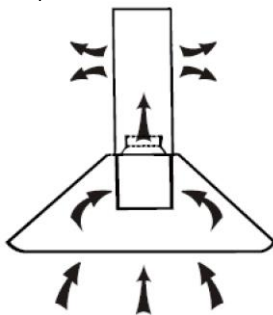
4. Instalați coșul de fum pe unitate și fixați-l.



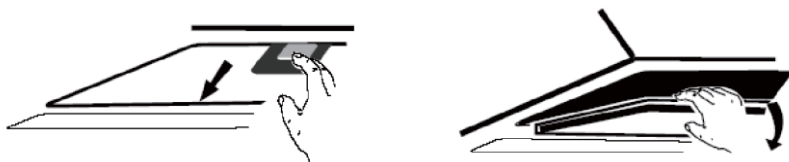
- „Rețineți: priza de plastic în formă de T și aripioarele în V nu pot fi folosite în același timp. Le puteți folosi în două moduri: 1) Adăugați aripioara în V pe priza existentă; 2) Folosiți o priză din plastic în formă de T, fără a adăuga aripioara în V.”
- „Notă: Produsul este prevăzut cu un accesoriu aripioară în V. Acest accesoriu nu este obligatoriu pentru instalarea, operarea și utilizarea produsului.”

## INSTALARE (VENTILATIE ÎN INTERIOR)

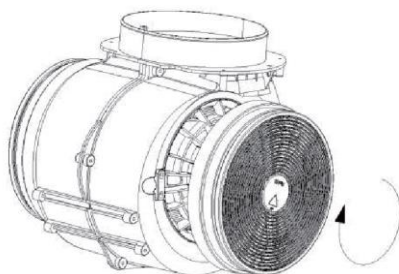
Dacă nu aveți o evacuare în exterior, nu este necesară țeava de evacuare, iar instalarea este similară cu cea prezentată în secțiunea „INSTALARE (VENTILAȚIE ÎN EXTERIOR)”.



Filtrul de carbon activ poate fi utilizat pentru a capta mirosurile. Pentru a instala filtrul de carbon activ, mai întâi trebuie detașat filtrul de grăsime. Apăsați încuietoarea și trageți-o în jos.



Conectați filtrul de carbon activ în unitate și rotiți-l în sens orar. Repetați același lucru pe cealaltă parte.



ÎNCHIDEȚI

**NOTĂ:**

- *Asigurați-vă că filtrul este fixat. În caz contrar, acesta se va slăbi și va provoca pericole.*
- *La activarea filtrului de carbon atașat, puterea de aspirație va fi scăzută.*



## DESCRIEREA COMPONENTELOR

### CONFIGURARE 1

1      2      3      B      B<sup>+</sup>            

### FUNCTIONARE

- 1 Buton de viteză mică**  
Este folosit pentru ventilarea bucătăriei. Este potrivit pentru fierbere și gătit care nu fac prea mult abur.
- 2 Buton de viteză medie**  
Viteza fluxului de aer este ideală pentru ventilație în operațiunea standard de gătit.
- 3 Buton de mare viteză**  
Când se produce o densitate mare de fum sau abur, apăsați butonul de mare viteză pentru o ventilație eficientă.

**B Boost 1 (viteza 4)**  
Apăsați butonul 1 al vitezei B; retroiluminarea butonului de viteză B se aprinde și hota funcționează în modul boost;

**B<sup>+</sup> Boost 2 (viteza 5)**  
Apăsați butonul 2 al vitezei B; retroiluminarea butonului de viteză B<sup>+</sup> se aprinde și hota funcționează în modul boost;



#### **Lumină**

**Apăsați scurt pentru aprinderea și oprirea luminii**

**Cronometru rapid:** Apăsați lung butonul de lumină timp de 3 secunde; butoanele de viteză a ventilatorului vor lumina intermitent și vor începe numărătoarea inversă de 5 minute. După 5 minute, motorul și lumina se vor opri automat și se vor emite trei sunete.



#### **Conexiune Wi-Fi**

Apăsați lung pictograma Wi-Fi și accesați modul de conectare: retroiluminarea pictogramei Wi-Fi continuă să se aprindă intermitent, ceea ce indică faptul că această conexiune este în curs de conectare. Retroiluminarea pictogramei Wi-Fi aprinsă indică funcționarea conexiunii Wi-Fi. Același procedeu este valabil pentru modul de așteptare. Apăsați lung pictograma Wi-Fi din nou și conexiunea va fi oprită;

## CONFIGURARE 2

1

2

3

B



### **MODUL DE AȘTEPTARE.**

După conectare, întregul sistem de iluminare, sistemul intră în **MODUL AȘTEPTARE.**

**1**

#### **Buton de viteză mică**

Este folosit pentru ventilarea bucătăriei. Este potrivit pentru fierbere și gătit care nu fac prea mult abur.

**2**

#### **Buton de viteză medie**

Viteza fluxului de aer este ideală pentru ventilație în operațiunea standard de gătit.

**3**

#### **Buton de mare viteză**

Când se produce o densitate mare de fum sau abur, apăsați butonul de mare viteză pentru o ventilație eficientă.

**B**

#### **Funcție de accelerare**

Aceasta hotă are funcție de accelerare. Pentru a activa amplificatorul, apăsați

B la viteza 4, accesați cea mai mare viteză în timp ce hota este în uz și va crește viteza timp de 5 minute, înainte de a încetini din nou.



#### **Lumină**

**Apăsați scurt pentru aprinderea și oprirea luminii**

**Cronometru rapid:** Apăsați lung butonul de lumină timp de 3 secunde; butoanele de viteză a ventilatorului vor lumina intermitent și vor începe numărătoarea inversă de 5 minute. După 5 minute, motorul și lumina se vor opri automat și se vor emite trei sunete.



#### **Conexiune Wi-Fi**

Apăsați lung pictograma Wi-Fi și accesați modul de conectare: retroiluminarea pictogramei Wi-Fi continuă să se aprindă intermitent, ceea ce indică faptul că această conexiune este în curs de conectare. Retroiluminarea pictogramei Wi-Fi aprinsă indică funcționarea conexiunii Wi-Fi. Același procedeu este valabil pentru modul de așteptare. Apăsați lung pictograma Wi-Fi din nou și conexiunea va fi oprită;

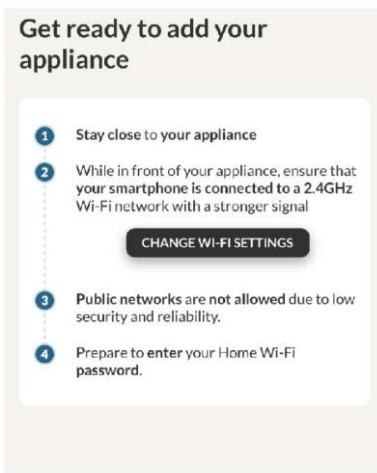
Descărcați aplicația hOn



În primul rând, trebuie să descărcați aplicația hOn și să o instalați pe dispozitivul dvs. mobil. După aceea, înregistrați-vă hota.



## NOTĂ



## ÎNREGISTRARE HOTĂ HAIER



*Imaginea hotei este doar cu titlu ilustrativ. Se poate ca hota să nu fie fidel reprezentă.*

1- Apăsați butonul Wi-Fi până când pictograma începe să lumineze intermitent. Când asocierea se finalizează, pictograma Wi-Fi va rămâne aprinsă.

## **ÎNTREȚINEREA**

Înainte de curățare, opriți unitatea și scoateți ștecărul.

### **I. Curățare regulată**

Utilizați o lavetă moale umezită cu apă caldă ușor săpun sau detergent de uz casnic. Nu utilizați niciodată tampoane metalice, substanțe chimice, materiale abrazive sau perii rigide pentru a curăța unitatea.

### **II. Curățare lunară pentru filtrul de grăsime**

*ESENȚIAL: Curățarea filtrului în fiecare lună poate preveni orice risc de incendiu.*

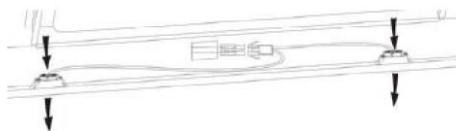
Filtrul colectează grăsimea, fumul și praful... așa că filtrul influențează direct eficiența hotei. Dacă nu este curățat, reziduurile de grăsime (potențial inflamabile) vor satura filtrul. Curățați-l cu detergent de curățare de uz casnic.

### **III. Curățare anuală pentru filtrul de carbon activ**

Aplicați **EXCLUSIV** pe unitatea instalată ca unitate de recirculare (neventilată în exterior). Acest filtru captează mirosurile și trebuie înlocuit cel puțin o dată pe an, în funcție de cât de des este folosită hota.

### **IV. Schimbarea unui bec**

Scoateți șuruburile de pe sticlă, scoateți sticla hotei. Găsiți becul care necesită înlocuire, îl veți găsi situat în corpul de iluminat care se află în interiorul secțiunii expuse a acoperișului.



Deconectați punctul de cablare al luminii și scoateți suporturile becurilor și cablurile de pe hotă. Important: Nu este posibil să înlocuiți becurile individual; va trebui să obțineți becurile, duliile becurilor și cablajul ca un ansamblu. (Indicator luminos LED: MAX 1,5 W)

Montați becurile de schimb, duliile becurilor și cablurile în același mod ca și cele originale. Apoi reconectați punctul de cablare al luminii.

Remontați geamul hotei și fixați șuruburile de sticlă. Asigurați-vă că șuruburile sunt strânse complet.

## **DEPANARE**

<b>Eroare</b>	<b>Cauză</b>	<b>Soluție</b>
Lumina aprinsă, dar ventilatorul nu funcționează	Paleta ventilatorului este blocată.	Oprii unitatea și reparați numai cu ajutorul personalului de service calificat.
	Motorul este deteriorat.	
Atât lumina, cât și ventilatorul nu funcționează	Becul cu halogen s-a ars.	Înlocuiți becul cu unul cu valoarea nominală corectă.
	Cablul de alimentare se slăbește.	Conectați din nou sursa de alimentare.
Vibrații serioase ale unității	Paleta ventilatorului este deteriorată.	Comutați unitatea și reparați numai cu ajutorul personalului de service calificat.
	Motorul ventilatorului nu este fixat strâns.	Oprii unitatea și reparați numai cu ajutorul personalului de service calificat.
	Unitatea nu este agățată corect de suport.	Dați jos unitatea și verificați dacă suportul este în locația corectă.
Performanța de aspirare nu este bună	Distanță prea mare între unitate și planul de gătit	Reajustați distanța la 65-75 cm

Tehnologie	Wi-Fi
Standard	802.11 b/g/n
Bandă (benzi) de frecvență [MHz]	2400 MHz - 2483,5 MHz
Putere maximă [mW]	100 mW

<b>Informații despre produs pentru echipamentele în rețea</b>	
Consumul de energie al produsului în așteptare în rețea în cazul în care porturile de rețea cablate sunt conectate și toate porturile de rețea wireless sunt activate:	2 W
Modul de activare a portului rețelei wireless:	Dacă hota a fost înregistrată prin intermediul aplicației, porniți hota pentru a activa portul rețelei wireless.
Modul de dezactivare a portului rețelei wireless:	Dacă hota a fost înregistrată prin intermediul aplicației, oprii hota pentru a dezactiva portul rețelei wireless. Dacă hota a fost înregistrată prin intermediul aplicației, portul rețelei wireless va fi dezactivat chiar și atunci când hota este pornită.

## **SERVICIUL DE ASISTENȚĂ CLIENTI**

Dacă nu puteți identifica cauza anomalia de funcționare, opriți aparatul și contactați Serviciul de asistență.

NUMĂR DE SERIE AL PRODUSULUI. Unde îl pot găsi?

Este important să informați Serviciul de asistență despre codul produsului și numărul de serie al acestuia (un cod de 16 caractere care începe cu numărul 3); aceasta se găsește pe certificatul de garanție sau pe plăcuța cu date situată pe aparat.

Aceasta va ajuta la evitarea călătoriilor irosite la tehnicieni, economisind astfel (și cel mai semnificativ) costurile de apelare corespunzătoare.

Acest aparat este marcat conform directivei europene 2012/19/UE privind Deșeurile de echipamente electrice și electronice (DEEE).

DEEE conține ambele substanțe poluante (care pot avea consecințe negative pentru mediu) și elementele de bază (care pot fi reutilizate).

Este important ca DEEE să fie supusă la tratamente specifice, pentru a îndepărta și elimina corect toți agenții poluanți și a recupera toate materialele reciclabile.



Persoanele pot juca un rol important în a asigura că DEEE nu devin o problemă de mediu: este vital să urmați unele dintre regulile de bază:

DEEE nu trebuie tratate drept reziduu casnic;

DEEE trebuie predate la punctele de colectare relevante administrate de municipalitate sau de către companii înregistrate. În multe țări, pentru DEEE mari, trebuie să existe colectarea de acasă.

În multe țări, atunci când cumpărați aparate mari, cel vechi poate fi returnat la distribuitorul care îl va colecta gratuit câte unul, atât timp cât echipamentul este de tip echivalent și are aceleași funcții ca și echipamentul furnizat.