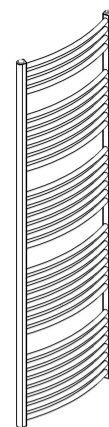


GRANDE OBLÝ

EBS

DGRR06500450SM51-6502



H	L	A	B	C	D	E	F	G
650	450	150	582	68	75	68	93-103	103-113

4.4	kg
2.4	l
316	W

I	J	K	M	N	O	P		
46-56	200	min.100	50	-	-	-		

A 4x 10x50	B 4x	C 4x	D 8x
E 4x	F 4x M6x60	G 4x M5 (M6)x30	H 4x M5 (M6)x35

1.1: Mounting the radiator to the wall using 1x white and 1x black caps.

1.2: Adjusting the radiator level using a level and 3x caps.

1.3: Final installation with 3x caps and a warning sign.

1.1: 3D view of the radiator head with 4x screws and dimensions 0,000 and 5°.

1.2: Side view with dimensions G, H ± 2, F (SK), 50, F (SM), L (+/- 2), A, A, D, E, B, M, J, 50, K, C.

1.3: Top view with dimensions X=Y, 4x screws, Ø10 hole, and 50mm distance.

1.6: Detail of the radiator head connection with 3 screws.

1.4: Attaching the radiator head to the wall using 4x screws (A, B, E, F) and a screwdriver (1).

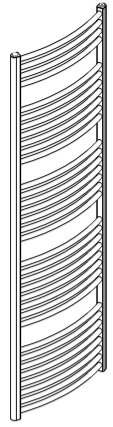
1.5: Tightening the radiator head with a screwdriver (2) and a wrench (3).

1.7: Final assembly steps (4, 5) showing the radiator head (B, D) being secured with screws (G).

GRANDE OBLÝ

EBS

DGRR06500600SM51-6502



H	L	A	B	C	D	E	F	G
650	600	150	582	68	150	68	93-103	103-113

5.5	kg
-----	----

3.0	l
-----	---

I	J	K	M	N	O	P		
17-27	275	min.100	50	-	-	-		

409	W
-----	---

A 4x 10x50	B 4x	C 4x	D 8x
E 4x	F 4x M6x60	G 4x M5 (M6)x30	H 4x M5 (M6)x35

1.1

1.2

1.3

1.6

1.4

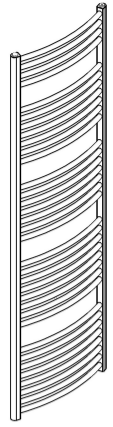
1.5

1.7

GRANDE OBLÝ

EBS

DGRR06500750SM51-6502



H	L	A	B	C	D	E	F	G
650	750	300	582	68	75	68	111-121	121-131

6.5	kg
3.5	l

I	J	K	M	N	O	P		
47-57	350	min.100	50	-	-	-		

492	W
-----	---

A 4x 10x50	B 4x	C 4x	D 8x
E 4x	F 4x M6x60	G 4x M5 (M6)x30	H 4x M5 (M6)x35

1.1

1.2

1.3

1.6

1.4

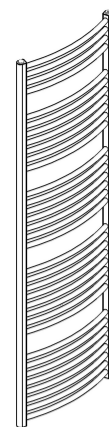
1.5

1.7

GRANDE OBLÝ

EBS

DGRR09700450SM51-6502



H	L	A	B	C	D	E	F	G
970	450	150	902	68	75	68	93-103	103-113

I	J	K	M	N	O	P		
46-56	200	min.100	50	-	-	-		

6.4	kg
3.5	l
419	W

A 4x 10x50	B 4x	C 4x	D 8x
E 4x	F 4x M6x60	G 4x M5 (M6)x30	H 4x M5 (M6)x35

1.1

1.2

1.3

1.4

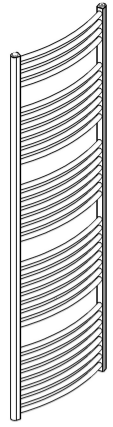
1.5

1.7

GRANDE OBLÝ

EBS

DGRR09700600SM51-6502



H	L	A	B	C	D	E	F	G
970	600	150	902	68	150	68	93-103	103-113

7.9	kg
-----	----

4.3	l
-----	---

I	J	K	M	N	O	P		
17-27	275	min.100	50	-	-	-		

590	W
-----	---

A 4x 10x50	B 4x	C 4x	D 8x
E 4x	F 4x M6x60	G 4x M5 (M6)x30	H 4x M5 (M6)x35

1.1

1.2

1.3

1.4

1.5

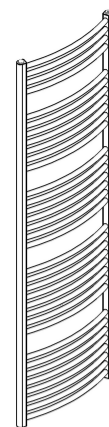
1.6

1.7

GRANDE OBLÝ

EBS

DGRR09700750SM51-6502



H	L	A	B	C	D	E	F	G
970	750	300	902	68	75	68	111-121	121-131

9.3	kg
5.0	l
722	W

I	J	K	M	N	O	P		
47-57	350	min.100	50	-	-	-		

A 4x 10x50	B 4x	C 4x	D 8x
E 4x	F 4x M6x60	G 4x M5 (M6)x30	H 4x M5 (M6)x35

1.1

1.2

1.3

1.4

1.5

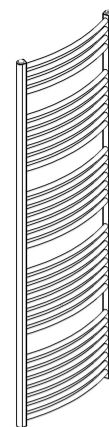
1.6

1.7

GRANDE OBLÝ

EBS

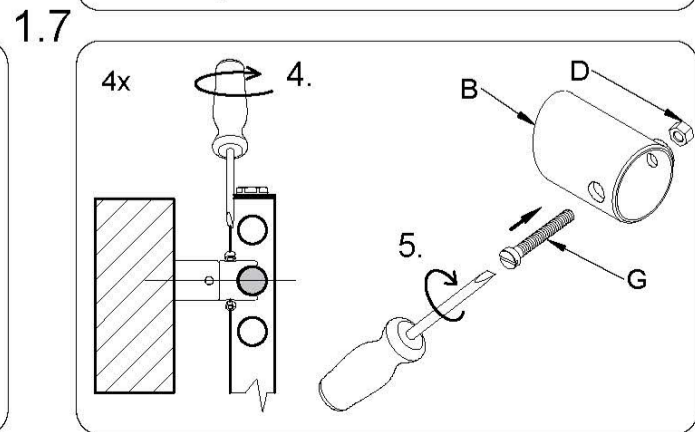
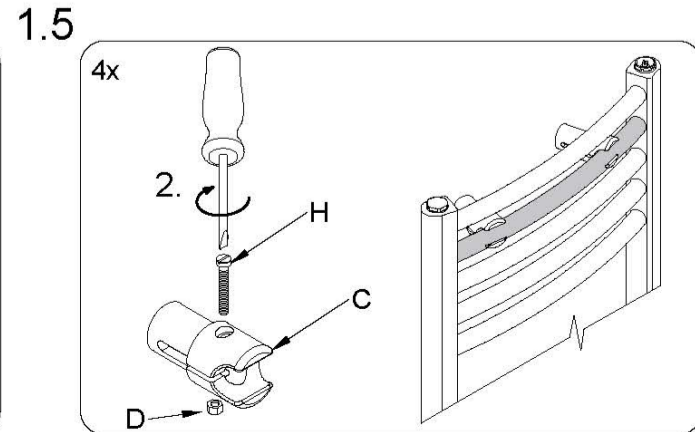
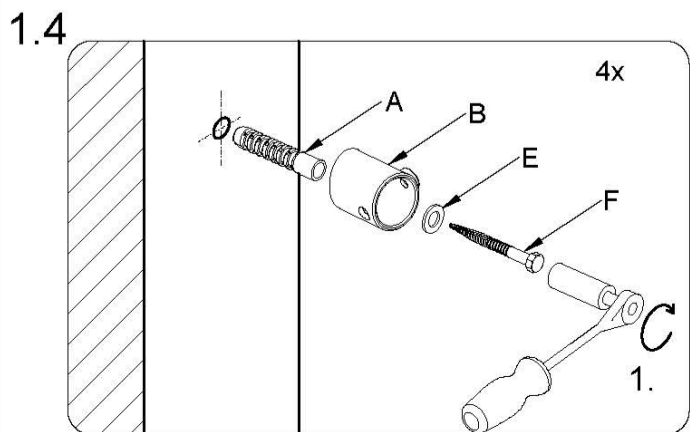
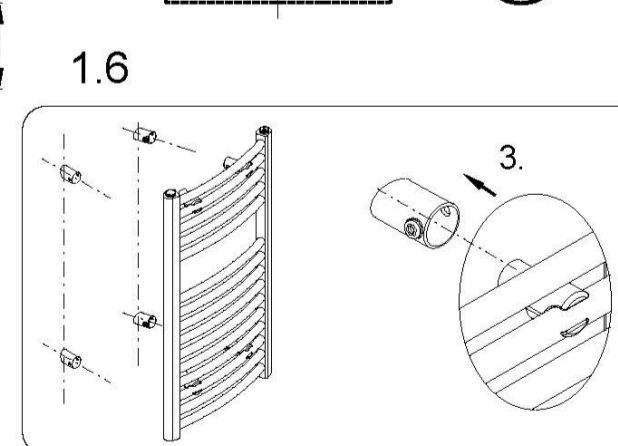
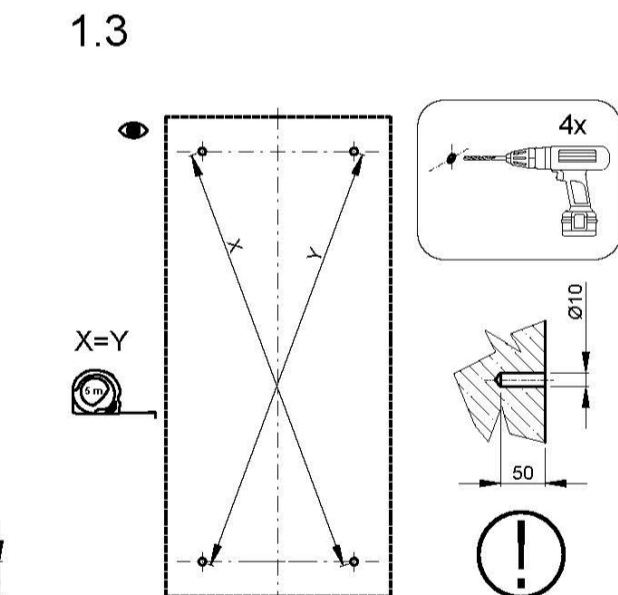
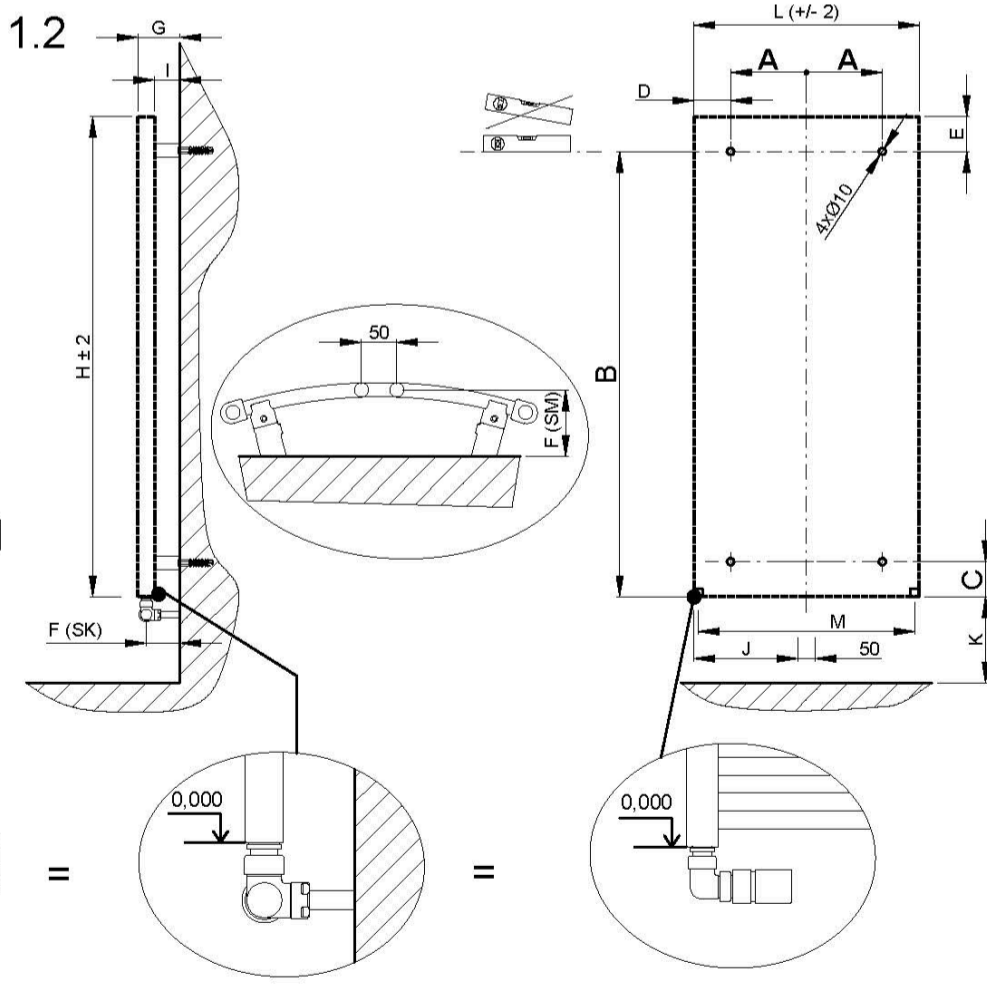
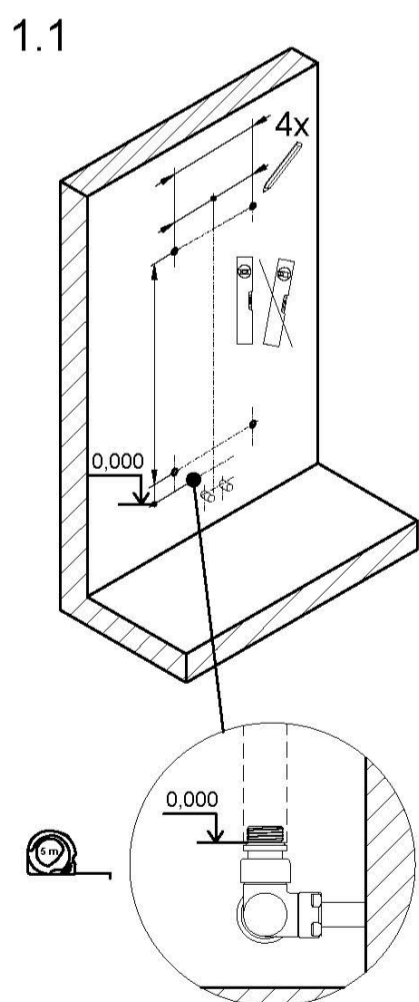
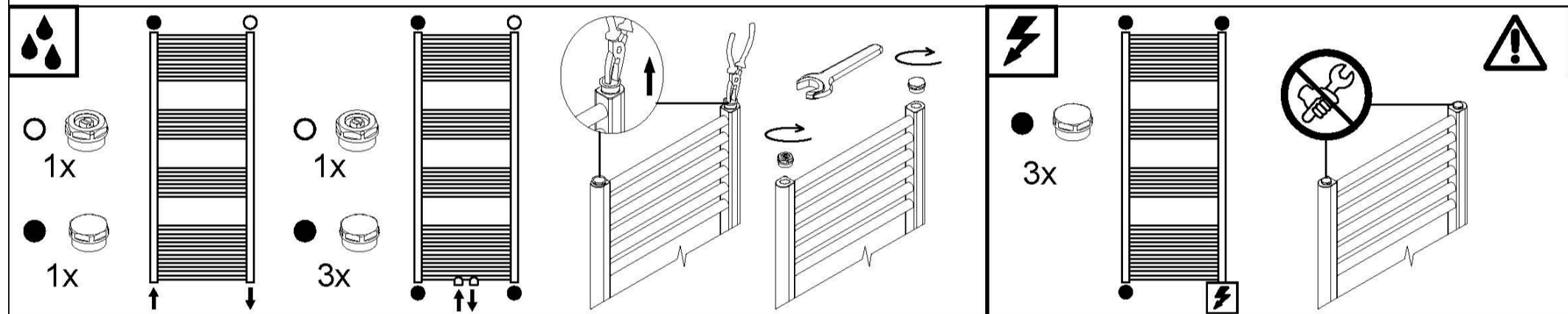
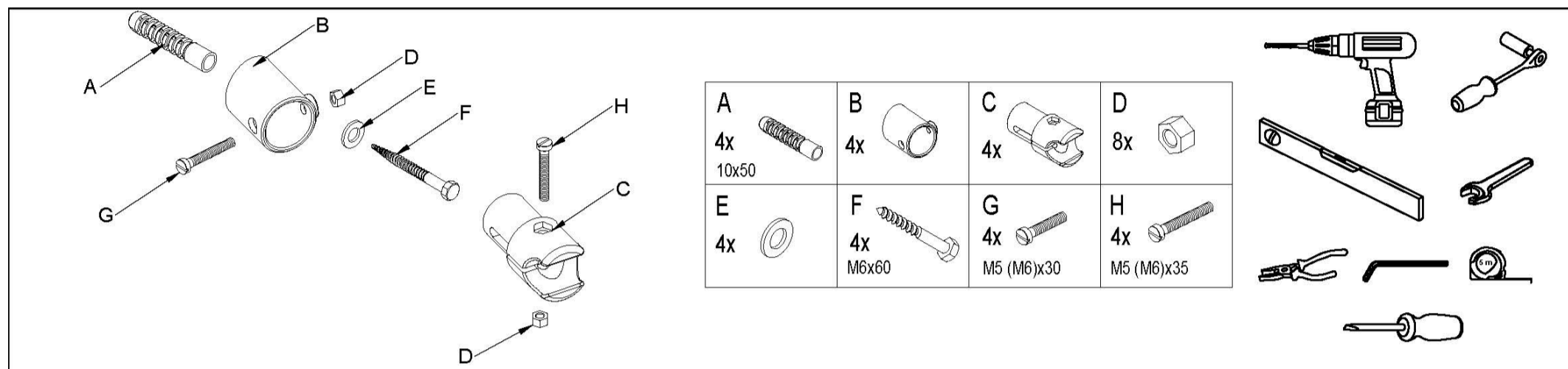
DGRR13300450SM51-6502



H	L	A	B	C	D	E	F	G
1330	450	150	1262	68	75	68	93-103	103-113

8.6	kg
4.7	l
545	W

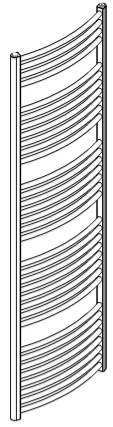
I	J	K	M	N	O	P		
46-56	200	min.100	50	-	-	-		



GRANDE OBLÝ

EBS

DGRR13300600SM51-6502



H	L	A	B	C	D	E	F	G
1330	600	150	1262	68	150	68	93-103	103-113

10.7	kg
------	----

5.8	l
-----	---

I	J	K	M	N	O	P		
17-27	275	min.100	50	-	-	-		

708	W
-----	---

A 4x 10x50	B 4x	C 4x	D 8x
E 4x	F 4x M6x60	G 4x M5 (M6)x30	H 4x M5 (M6)x35

1.1

1.2

1.3

1.4

1.5

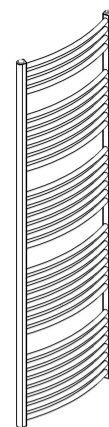
1.7

1.6

GRANDE OBLÝ

EBS

DGRR13300750SM51-6502



H	L	A	B	C	D	E	F	G
1330	750	300	1262	68	75	68	111-121	121-131

12.6	kg
6.8	l
865	W

I	J	K	M	N	O	P		
47-57	350	min.100	50	-	-	-		

A	B	C	D
4x 10x50	4x	4x	8x
E	F	G	H
4x	4x M6x60	4x M5 (M6)x30	4x M5 (M6)x35

1.1

1.2

1.3

1.6

1.4

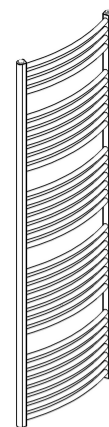
1.5

1.7

GRANDE OBLÝ

EBS

DGRR16900450SM51-6502



H	L	A	B	C	D	E	F	G
1690	450	150	1622	68	75	68	93-103	103-113

10.9	kg
6.0	l
701	W

I	J	K	M	N	O	P		
46-56	200	min.100	50	-	-	-		

A 4x 10x50	B 4x	C 4x	D 8x
E 4x	F 4x M6x60	G 4x M5 (M6)x30	H 4x M5 (M6)x35

1.1: Preparing the wall with 1x white and 1x black plug.

1.2: Mounting the radiator to the wall with 1x white and 3x black plugs.

1.3: Final assembly and warning against tampering.

1.1: Wall preparation with 4x screws and 0,000mm depth.

1.2: Wall profile with dimensions G, H ± 2, F (SK), and 50mm offset.

1.3: Wall layout with dimensions L (+/- 2), A, B, C, D, E, J, M, K, and X=Y. Includes 4x screws and 50mm offset.

1.6: Detail of the radiator head connection with 3 screws and 50mm offset.

1.4: Attaching the radiator head to the wall with 4x screws (A, B, E, F) and a screwdriver (C).

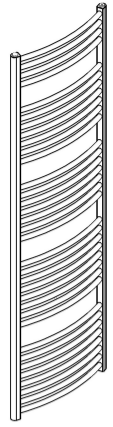
1.5: Tightening the head with a screwdriver (H) and a screw (C).

1.7: Final assembly steps 4 and 5, showing the radiator head (B, D) and screw (G) being secured.

GRANDE OBLÝ

EBS

DGRR16900600SM51-6502



H	L	A	B	C	D	E	F	G
1690	600	150	1622	68	150	68	93-103	103-113

13.5	kg
------	----

7.4	l
-----	---

I	J	K	M	N	O	P		
17-27	275	min.100	50	-	-	-		

909	W
-----	---

A	B	C	D
4x	4x	4x	8x
10x50			
E	F	G	H
4x	4x	4x	4x
	M6x60	M5 (M6)x30	M5 (M6)x35

1.1

1.2

1.3

1.4

1.5

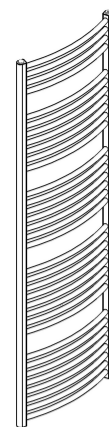
1.6

1.7

GRANDE OBLÝ

EBS

DGRR16900750SM51-6502



H	L	A	B	C	D	E	F	G
1690	750	300	1622	68	75	68	111-121	121-131

15.9	kg
8.6	l
1090	W

I	J	K	M	N	O	P		
47-57	350	min.100	50	-	-	-		

A 4x 10x50	B 4x	C 4x	D 8x
E 4x	F 4x M6x60	G 4x M5 (M6)x30	H 4x M5 (M6)x35

1.1

1.2

1.3

1.6

1.4

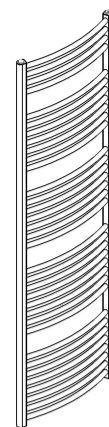
1.5

1.7

GRANDE OBLÝ

EBS

DGRR18500450SM51-6502



H	L	A	B	C	D	E	F	G
1850	450	150	1782	68	75	68	93-103	103-113

12.4	kg
6.8	l
805	W

I	J	K	M	N	O	P		
46-56	200	min.100	50	-	-	-		

A 4x 10x50	B 4x	C 4x	D 8x
E 4x	F 4x M6x60	G 4x M5 (M6)x30	H 4x M5 (M6)x35

1.1

1.2

1.3

1.6

1.4

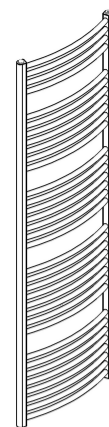
1.5

1.7

GRANDE OBLÝ

EBS

DGRR18500600SM51-6502



H	L	A	B	C	D	E	F	G
1850	600	150	1782	68	150	68	93-103	103-113

15.5	kg
8.5	l
1051	W

I	J	K	M	N	O	P		
17-27	275	min.100	50	-	-	-		

A 4x 10x50	B 4x	C 4x	D 8x
E 4x	F 4x M6x60	G 4x M5 (M6)x30	H 4x M5 (M6)x35

1.1

1.2

1.3

1.6

1.4

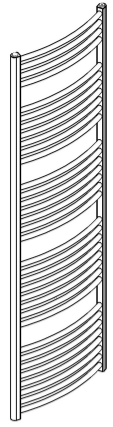
1.5

1.7

GRANDE OBLÝ

EBS

DGRR18500750SM51-6502



H	L	A	B	C	D	E	F	G
1850	750	300	1782	68	75	68	111-121	121-131

18.3	kg
------	----

9.9	l
-----	---

I	J	K	M	N	O	P		
47-57	350	min.100	50	-	-	-		

1264	W
------	---

A 4x 10x50	B 4x	C 4x	D 8x
E 4x	F 4x M6x60	G 4x M5 (M6)x30	H 4x M5 (M6)x35

1.1

1.2

1.3

1.4

1.5

1.6

1.7

